



Features

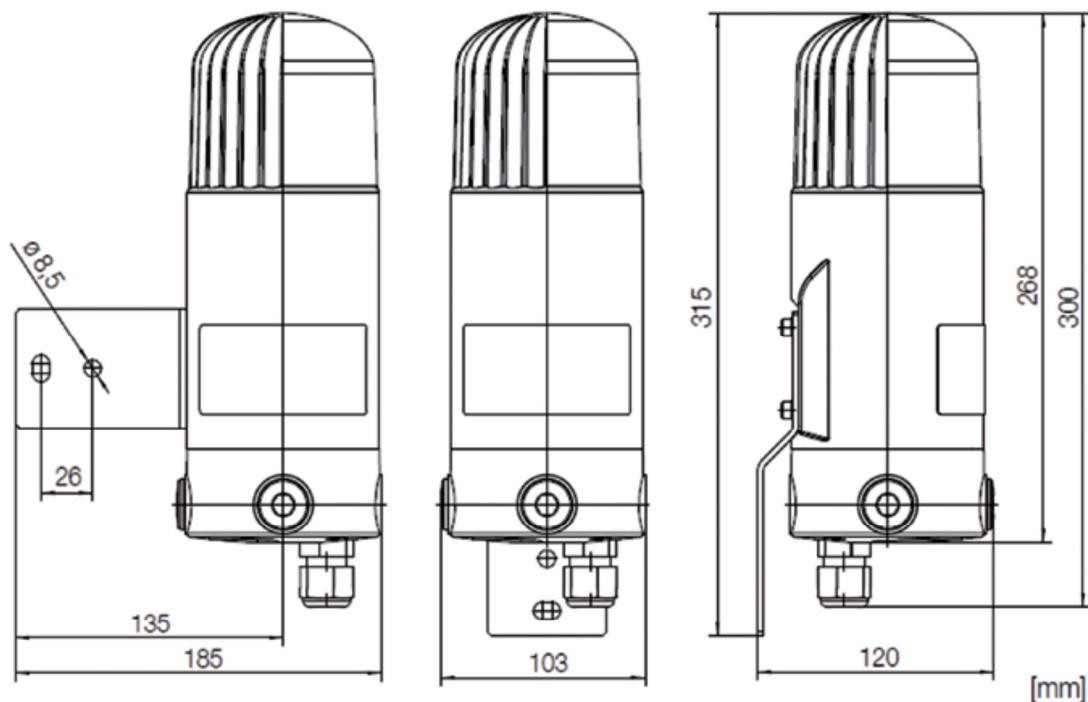
- LED signal beacon for zones 1, 21, 2, 22
- High protection class IP 66
- Polycarbonate housing, mounting bracket V4A
- 4 different operating modes selectable:
 - LED steady beacon
 - LED flashing beacon
 - LED strobe beacon
 - LED rotating beacon
- Available in 5 LED colours:
 - red, clear/white, blue, green, yellow

Approvals

- ATEX certificate: BVS 11 ATEX E 149 X
EN 60079-0 : 2006, EN 60079-7 : 2007, EN 60079-11 : 2007,
EN 60079-18 : 2004, EN 61241-0 : 2006. EN 61241-1 : 2004,
EN61241-18 : 2004

Technical data

Type	mDD
Ingress protection	IP66
Temperature range	-40° to +65°C
Light source	LED
Housing, colour	aluminium, surface coated or powder coated (yellow/blue)
Mounting	mounting bracket
Weight	2kg
Lens	hardened borosilicate glass
Lens colour	amber, red, clear, blue, green
Strobe frequency/lifetime	~ 1Hz, approx. 5 x 10 ⁶ flashes
Operation	Continuous
Terminal	1,5mm ² fine wire; 2,5mm ² single wire
Cable entry	Cable gland M20x1,5 and blind plug M20x1,5
Insulation class	I equipotential bonding screw connection with wire protection clamp outside (cross section max. 4 mm ²)



Nominal currents

Type	Operating mode	Nominal voltage	Nominal current				
			Red	Clear	Blue	Green	Yellow
mDD1	LED steady light	230Vac	0,047A	0,055A	0,055A	0,055A	0,047A
	LED flashing light		0,040A	0,044A	0,044A	0,044A	0,040A
	LED strobe light		0,037A	0,040A	0,040A	0,040A	0,037A
	LED rotating light		0,035A	0,037A	0,037A	0,037A	0,035A
mDD2	LED steady light	24Vdc	0,480A	0,720A	0,700A	0,680A	0,500A
	LED flashing light		0,460A	0,690A	0,680A	0,660A	0,480A
	LED strobe light		0,850A	1,280A	1,250A	1,200A	0,900A
	LED rotating light		0,240A	0,320A	0,310A	0,310A	0,240A

Order data

Type	Order nr.	Classification	Denomination	Nominal voltage	Voltage range
mDD1	336 00[c] 413	1	Ex-proof LED signal beacon	230Vac	+/-20%
mDD2	336 00[c] 005	1	Ex-proof LED signal beacon	24Vdc	+/-20%

¹ Zone 1,2,21,22
II 2G Ex e mb (ib) IIC T4
-40°C ≤ Ta. ≤ +60°C (AC-Mod.)
-40°C ≤ Ta. ≤ +65°C (DC-Mod.)
II 2D Ex mbD tD A21 IP66 T130°C

[c] Colour code for lens

2	Red	6	Green
4	Clear	7	Yellow
5	Blue		

