



### Features

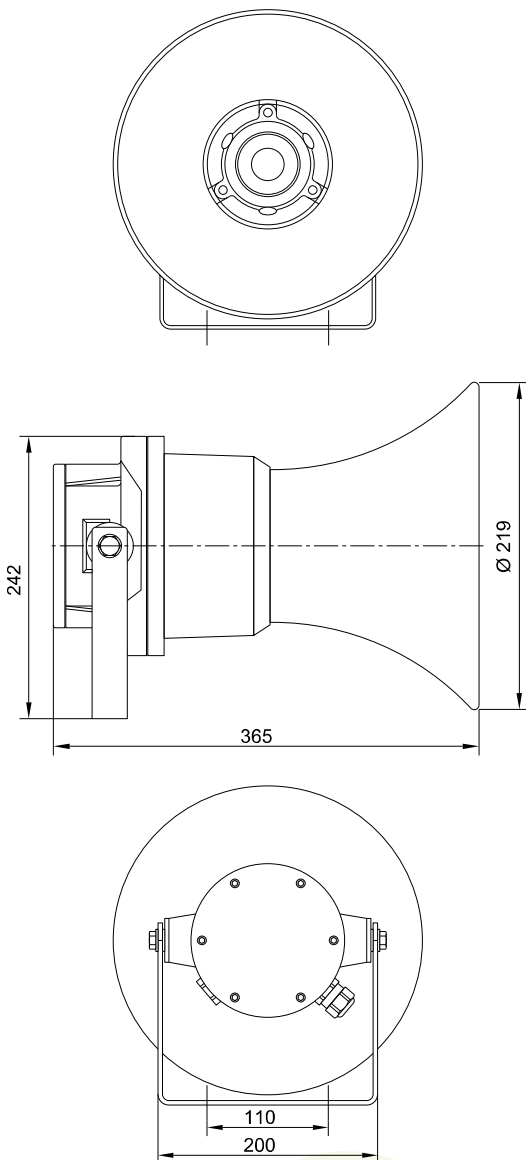
- Loud electronic sounder for use in explosion endangered areas of zone 1 and 2
- 31 different signal tones resp. signal tone groups (4 signal tones per signal tone group)
- 1 programmable signal tone group
- 8 volume settings
- Synchronisation of tones
- Modular system with synthetic housing made of glass fibre reinforced polyester
- Flame-proof chamber „d“ – connection chamber in protection class increased safety „e“ – encapsulation „m“
- Lower weight – robust and corrosion proof design
- Insulation class II – no equipotential bonding required

### Approvals

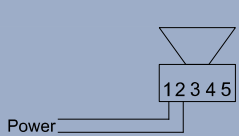
- ATEX certificate: PTB 03 ATEX 1232, EN 60079-0 : 2006, EN 60079-1 : 2004, EN 60079-7: 2003, EN 60079-18 : 2004

### Technical data

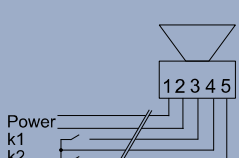
Type	dHE
Ingress protection	IP66
Temperature range	-20° to +40°C
Sound pressure	119dB
Housing, Colour	glass fibre reinforced polyester dark grey, cone black RAL 9005
Terminal	≤ 2,5 mm <sup>2</sup> single-, fine- or multi wire
Cable entry	cable gland M20 x 1,5 blind plug M20 x 1,5
Mounting	as required - swivelling mounting bracket, preferably sound outlet front or downwards
Number of parallel switched sounders	≤ 32
Signal tones	31
Insulation class	II no equipotential bonding required
Weight	5,9kg



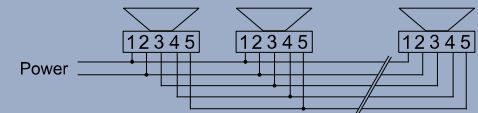
**Single sounder with pre-selected signal tone**

	<b>S1 = 7 S2 = 0 X1 = LS</b>		<b>Max. volume group 0 selected</b>
	<b>3-4</b>	<b>4-5</b>	<b>Selected stage</b>
	open	open	Stage 0 (Mute)
	<input type="checkbox"/>	open	Stage 1 (Tone 0)
open	<input type="checkbox"/>	Stage 2 (Tone 1E)	
<input type="checkbox"/>	<input type="checkbox"/>	Stage 3 (Tone 9)	

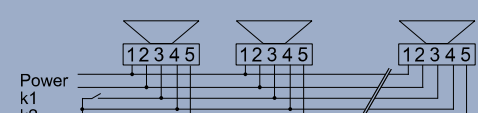
**Single sounder with selectable/switchable signal tone**

	<b>S1 = 7 S2 = 0 X1 = LS</b>		<b>Max. volume group 0 selected</b>
	<b>K1</b>	<b>K2</b>	<b>Selected stage</b>
	break	break	Stage 0 (Mute)
	make	break	Stage 1 (Tone 0)
	break	make	Stage 2 (Tone 1E)
make	make	Stage 3 (Tone 9)	

**Multi sounder with pre-selected signal tone**

		
<b>S1 = 7 / S2 = 0 / X1 = LS</b>		<b>Max. volume / group 0 selected</b>
<b>3-4</b>	<b>5-6</b>	<b>Selected stage</b>
open	open	Stage 0 (Mute)
<input type="checkbox"/>	open	Stage 1 (Tone 0)
open	<input type="checkbox"/>	Stage 2 (Tone 1E)
<input type="checkbox"/>	<input type="checkbox"/>	Stage 3 (Tone 9)

**Multi sounder with selectable/switchable signal tone**

		
<b>S1 = 7 / S2 = 0 / X1 = LS</b>		<b>Max. volume / group 0 selected</b>
<b>K1</b>	<b>K2</b>	<b>Selected stage</b>
break	break	Stage 0 (Mute)
make	break	Stage 1 (Tone 0)
break	make	Stage 2 (Tone 1E)
make	make	Stage 3 (Tone 9)

## Order data

Type	Order nr.	Classification	Denomination	Tone options		Nominal operating voltage	nominal current
				Tone types	Sound press.		
dHE1	370 000 000	1	Ex-proof sounder	31	119dB*	85-265Vac, 50-60Hz	0,100A (230Vac)
							0,160A (120Vac)
							0,165A (115Vac)
dHE2	370 000 001	1	Ex-proof sounder	31	119dB*	21,5-75Vdc	0,52-A (24Vdc)

\*Adjustable by rotary switch

<sup>1</sup> Zone 1, 2  
ATEX / IECEx  
II 2G Ex d e mb IIC T6

