

BZL



BZG

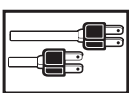
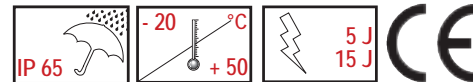
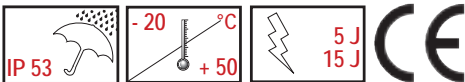


Features

- well designed strobe beacon
- high strobe energy – 15 J
- for dry or humid areas indoor
- models with 2 strobe frequencies

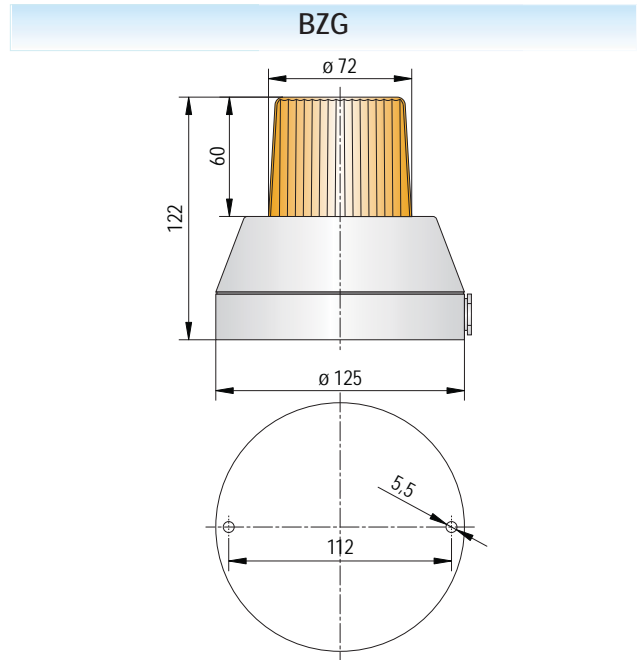
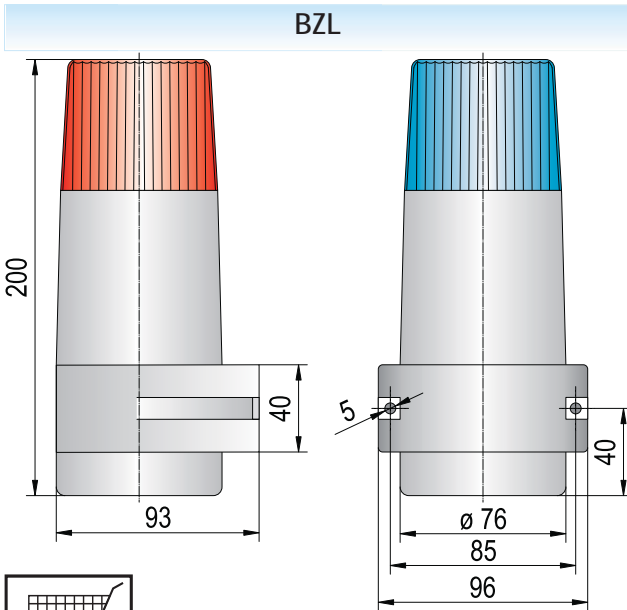
Features

- robust strobe beacon with aluminium die cast housing epoxy-powder coated RAL 7000
- high strobe energy – 15 J
- watertight, corrosion proof
- models with 2 strobe frequencies



Technical data

Type	BZL	BZG
Housing, Colour	ABS, grey	alu-die cast, epoxy-powder-coated, RAL 7000
Lens, Colour	polycarbonate, amber, red, white, clear, blue, green, yellow	
Cable diameter	5 - 12 mm	
Cable entry	surface or buried	
Duty cycle factor	100 %	
Terminals	up to 2,5 mm ²	
Temperature range	-20 °C to +50 °C	
Light source	xenon tube	
Strobe energy	5 or 15 J	
Strobe frequency	1 Hz	
Lifetime (light source)	~ 5 Mio. flashes	



Order data

Type	Strobe energy (J)	Nominal voltage (V)	Order No.	Nominal current (A)	Weight (g)
BZG	5	12 V AC/DC	741 01C 404	0,47	625
		24 V AC/DC	741 01C 405	0,28	
		110/120 V AC	741 01C 310	0,10	595
		230/240 V AC	741 01C 313	0,04	
		12 V DC	741 02C 004	0,47	625
		24 V DC	741 02C 005	0,28	
BZG	15	110/120 V AC	741 03C 310	0,55	845
		230/240 V AC	741 03C 313	0,23	610
		24 V DC	741 04C 005	0,70	635
BZL	5	110/120 V AC	740 01C 310	0,01	265
		230/240 V AC	740 01C 313	0,05	
		12 V DC	740 02C 004	0,50	300
		24 V DC	740 02C 005	0,28	
BZL	15	110/120 V AC	740 03C 310	0,55	520
		230/240 V AC	740 03C 313	0,23	300
		24 V DC	740 04C 005	0,70	300

Special models BZL with 2 strobe frequencies		
30/60 flashes/min.	joint plus	BZL-A
30/90 flashes/min.		BZL-B
30/60 flashes/min.	joint minus	BZL-C
30/90 flashes/min.		BZL-D

Colour code for lens		
1	amber	7 yellow
2	red	5 blue
3	white	6 green
4	clear	

BZL: models with 2 strobe frequencies						
Type	Strobe energy (J)	Nominal voltage (V)	Order No.	Nominal current (A)	Weight (g)	
BZL-A	5	24 V DC	740 16C 005	0,28	300	joint positive
BZL-B			740 26C 005	0,28		
BZL-C			740 36C 005	0,28	380	joint negative
BZL-D			740 46C 005	0,28		



DISTRIBUTOR

GEUKEN B.V.

Wattstraat 15a

2723 RA Zoetermeer / NETHERLANDS

Tel. +31 (0)79 361 60 70

Fax +31 (0)79 361 40 90

info@geuken.nl

www.geuken.nl

HEADQUARTERS

**J.AUER – FABRIK ELEKTRISCHER
MASCHINEN Ges.m.b.H.**

Perfektastraße 102

1230 Vienna / AUSTRIA

Tel. +43 (0)1 813 82 20

Fax +43 (0)1 815 99 51

office@auer-signal.com

www.auer-signal.com

SALES GERMANY

J.AUER – SIGNALGERÄTE GmbH

Sperberweg 11

41468 Neuss / GERMANY

Tel. +49 (0)2131 29 86 86-0

Fax +49 (0)2131 29 86 86-6

info@auer-signal.de

www.auer-signal.com