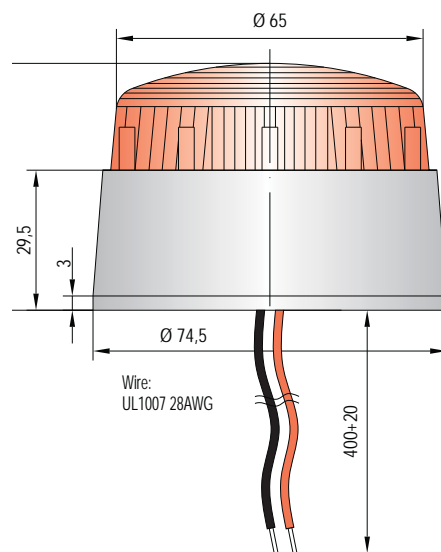
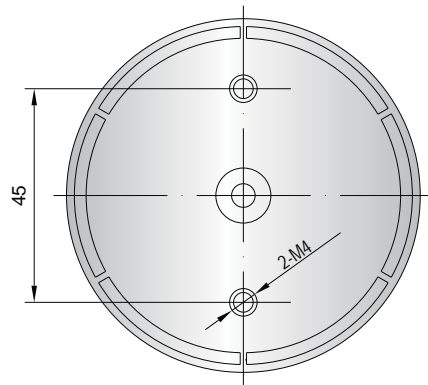


Strobe Beacon XB2

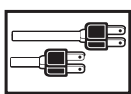
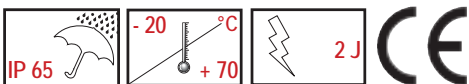


with optional mounting adapter



Features

- cost effective small strobe beacon
- lens diameter 65 mm
- simple mounting
- optional mounting adapter included
- reduced nominal current
- pre-wired ready to use (400 mm cable)



Technical data

	XB2
Housing colour	black
Lens colour	amber, red, clear, blue, green
Duty cycle factor	100 %
Temperature range	-20 °C to +70 °C
Light source	xenon tube
Flashing frequency	~ 1 Hz



Order data

Type	Nominal voltage (V)	Order No.	Nominal current (mA)	Weight (g)
XB2	12 V DC	D118 52C 004	200	110
	24 V DC	D118 52C 005	100	
	24 V AC	D118 52C 305	120	120
	230 V AC	D118 52C 313	25	

Colour code for lens

1	amber	5	blue
2	red	6	green
4	clear		

DISTRIBUTOR

GEUKEN B.V.

Wattstraat 15a

2723 RA Zoetermeer / NETHERLANDS

Tel. +31 (0)79 361 60 70

Fax +31 (0)79 361 40 90

info@geuken.nl

www.geuken.nl

HEADQUARTERS

**J.AUER – FABRIK ELEKTRISCHER
MASCHINEN Ges.m.b.H.**

Perfektastraße 102

1230 Vienna / AUSTRIA

Tel. +43 (0)1 813 82 20

Fax +43 (0)1 815 99 51

office@auer-signal.com

www.auer-signal.com

SALES GERMANY

J.AUER – SIGNALGERÄTE GmbH

Sperberweg 11

41468 Neuss / GERMANY

Tel. +49 (0)2131 29 86 86-0

Fax +49 (0)2131 29 86 86-6

info@auer-signal.de

www.auer-signal.com