





Strobe Beacon-Signalling Sounder VS4

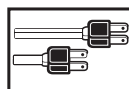
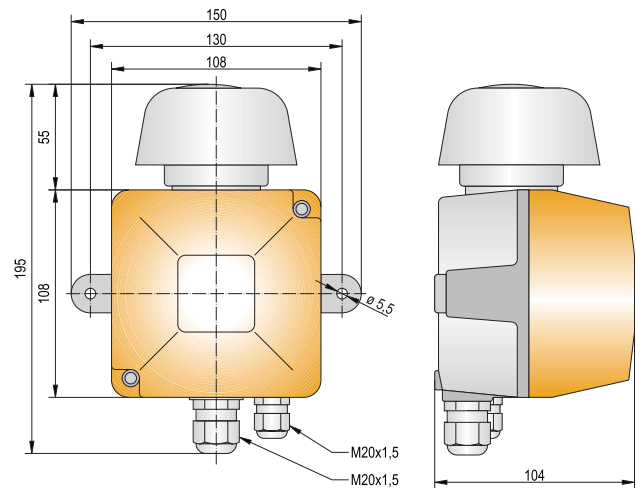


Tone setting			
Tone Type	DIP-Switch	Tone Frequency	Autorepeat
Two tone		1400-1500 Hz	0,3 sec
Two tone		1500-2200 Hz	0,3 sec
Two tone		1400-1500 Hz	0,5 sec
Three tone		1400-2200-2900 Hz	0,2 sec



Features

- visual audible signalling sounder for weatherproof applications – IP 66
- for universal use in industries, buildings etc.
- powerful strobe beacon
- 2 sound types and 4 settings selectable (DIP switch)



Technical data

Type	VS4
Housing, Colour	aluminium die cast, black
Lens, Colour	polycarbonate, amber, red, clear, blue, green
Cable entry	2 x M20 x 1,5
Cable diameter	5-9 mm
Mounting	vertical
Duty cycle factor	< 30 Min.
Protection class	IP 66
Insulation	I
Temperature range (Einsatz)	-20 °C to +60 °C
Light source	xenon tube
Strobe energy	~ 3 J
Strobe frequency	~ 3 Hz
Sound pressure	100 dB
Tone types	two/three tone



Order data

Type	Nominal voltage (V)	Order No.	Weight (g)
VS4	230 V AC	410 40C 005	900

Colour code for lens

Code	Colour	Code	Colour
1	amber	5	blue
2	red	6	green
4	clear		

DISTRIBUTOR

GEUKEN B.V.

Wattstraat 15a

2723 RA Zoetermeer / NETHERLANDS

Tel. +31 (0)79 361 60 70

Fax +31 (0)79 361 40 90

info@geuken.nl

www.geuken.nl

HEADQUARTERS

**J.AUER – FABRIK ELEKTRISCHER
MASCHINEN Ges.m.b.H.**

Perfektastraße 102

1230 Vienna / AUSTRIA

Tel. +43 (0)1 813 82 20

Fax +43 (0)1 815 99 51

office@auer-signal.com

www.auer-signal.com

SALES GERMANY

J.AUER – SIGNALGERÄTE GmbH

Sperberweg 11

41468 Neuss / GERMANY

Tel. +49 (0)2131 29 86 86-0

Fax +49 (0)2131 29 86 86-6

info@auer-signal.de

www.auer-signal.com