

# M22 Panel Mount Buzzer-LED Steady-/Flashing Beacon ELG-EDG ELM-EDM



## TONE AND LIGHT SELECTION ON TERMINAL

### Panel mount buzzer-LED control light ELG-ELM

Tone and light synchronized

La	N	Lb	
X	X		pulsing tone / LED-flashing light
	X	X	wobble tone / LED-strobe light (ELG)
X	X	X	continuous tone / steady light

### Panel mount buzzer-LED control light EDG-EDM

Tone and light separately switchable

La	N	Lb	
X	X		continuous tone
	X	X	steady light



volume individually adjustable also in built-in condition

## Features

- universally useable panel mount buzzer with LED control light
- sizes Ø 65 mm – Ø 45 mm
- models:
  - ELG-ELM panel mount buzzer – LED control light
    - sound and light synchronized
    - continuous tone – steady light
    - pulsing tone – flashing light in pulse frequency
    - wobble tone – flashing light in pulse frequency
  - EDG-EDM panel mount buzzer – LED control light
    - continuous tone and steady light separately switchable
- well distinguishable tone types via terminal selectable (ELG)
- volume also in mounted condition infinitely adjustable
- LED control light – high brightness, maintenance free
- PLC fit (leakage/inrush current)
- for mounting in Ø 22 mm and 30,5 mm bore holes (with adapter)

IP 65

-25 °C / +60 °C

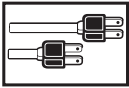
85-103 dB

85-98 dB

c UL US

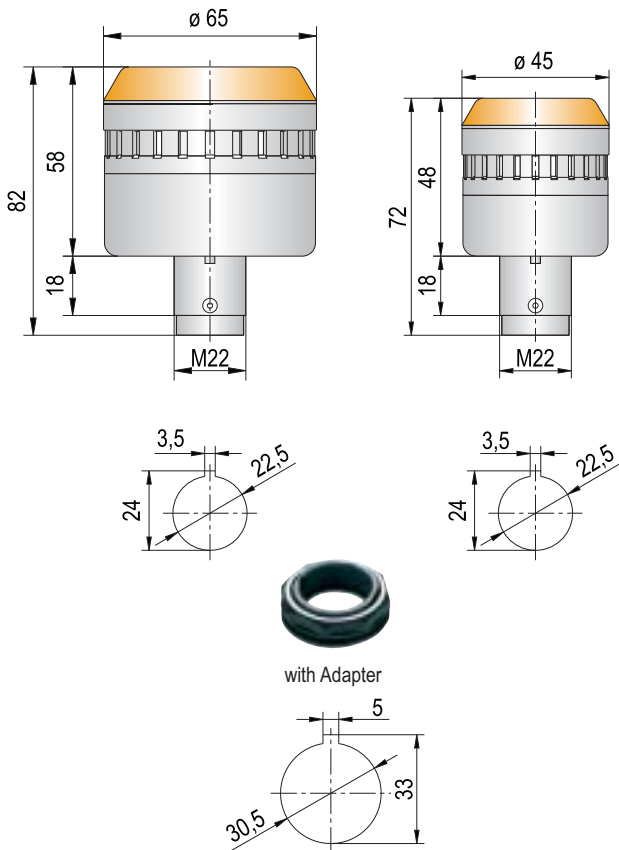
CE

ELG-EDG
ELM-EDM



# Technical data

Type	ELG	ELM	EDG	EDM
Size Ø mm	65	45	65	45
Housing, Colour	polycarbonate, grey or black			
Lens, colour	polycarbonate, amber, red, clear, blue, green, yellow			
Mounting	M22 - for bore holes 22 mm or 30,5 mm (with adapter)			
Tone type	cont./pulsing/wobble tone	continuous/pulsing tone	continuous tone	
Tone frequency	2.800 Hz	3.500 Hz	2.800 Hz	3.500 Hz
Volume (adjustable)	< 85 - 103 dB	< 85 - 98 dB	< 85 - 103 dB	< 85 - 98 dB
Light type/light source	LED-steady-/flashing light		LED-steady light	
Flashing frequency	2 Hz			
Lifetime (Light source)	~ 100.000 h			
Duty cycle factor	100 %			
Protection class	IP 65, UL type 4, 4X, 13			
Terminals	up to 2,5 mm <sup>2</sup>			
Temperature range	-25 °C to +60 °C			
Weight (g)	105	65	105	65



# Order data

Type	Nominal voltage (V)	Order No.		Nominal curr. (mA)
		Housing grey	Housing black	
sound type selection via terminal connection				
Panel mount buzzer-LED control light ELG-ELM Tone and light synchronized				
ELG	12 V AC/DC	814 11C 404	814 51C 404	73
	24 V AC/DC	814 11C 405	814 51C 405	47
	110/120 V AC	814 11C 310	814 51C 310	60
	230/240 V AC	814 11C 313	814 51C 313	63
ELM	12 V AC/DC	813 11C 404	813 51C 404	35
	24 V AC/DC	813 11C 405	813 51C 405	58
	110/120 V AC	813 11C 310	813 51C 310	42
	230/240 V AC	813 11C 313	813 51C 313	40
Panel mount buzzer-LED control light EDG-EDM Tone and light separately switchable				
EDG	12 V AC/DC	814 12C 404	814 52C 404	62
	24 V AC/DC	814 12C 405	814 52C 405	95
	110/120 V AC	814 12C 310	814 52C 310	52
	230/240 V AC	814 12C 313	814 52C 313	52
EDM	12 V AC/DC	813 12C 404	813 52C 404	48
	24 V AC/DC	813 12C 405	813 52C 405	73
	110/120 V AC	813 12C 310	813 52C 310	51
	230/240 V AC	813 12C 313	813 52C 313	51
Adapter M30,5		812 500 900		

Voltage range: nominal voltage +/- 10%

### Colour code for lens

1	amber	5	blue
2	red	6	green
4	clear	7	yellow

**DISTRIBUTOR**

**GEUKEN B.V.**

Wattstraat 15a

2723 RA Zoetermeer / NETHERLANDS

Tel. +31 (0)79 361 60 70

Fax +31 (0)79 361 40 90

info@geuken.nl

[www.geuken.nl](http://www.geuken.nl)

**HEADQUARTERS**

**J.AUER – FABRIK ELEKTRISCHER  
MASCHINEN Ges.m.b.H.**

Perfektastraße 102

1230 Vienna / AUSTRIA

Tel. +43 (0)1 813 82 20

Fax +43 (0)1 815 99 51

office@auer-signal.com

[www.auer-signal.com](http://www.auer-signal.com)

**SALES GERMANY**

**J.AUER – SIGNALGERÄTE GmbH**

Sperberweg 11

41468 Neuss / GERMANY

Tel. +49 (0)2131 29 86 86-0

Fax +49 (0)2131 29 86 86-6

info@auer-signal.de

[www.auer-signal.com](http://www.auer-signal.com)