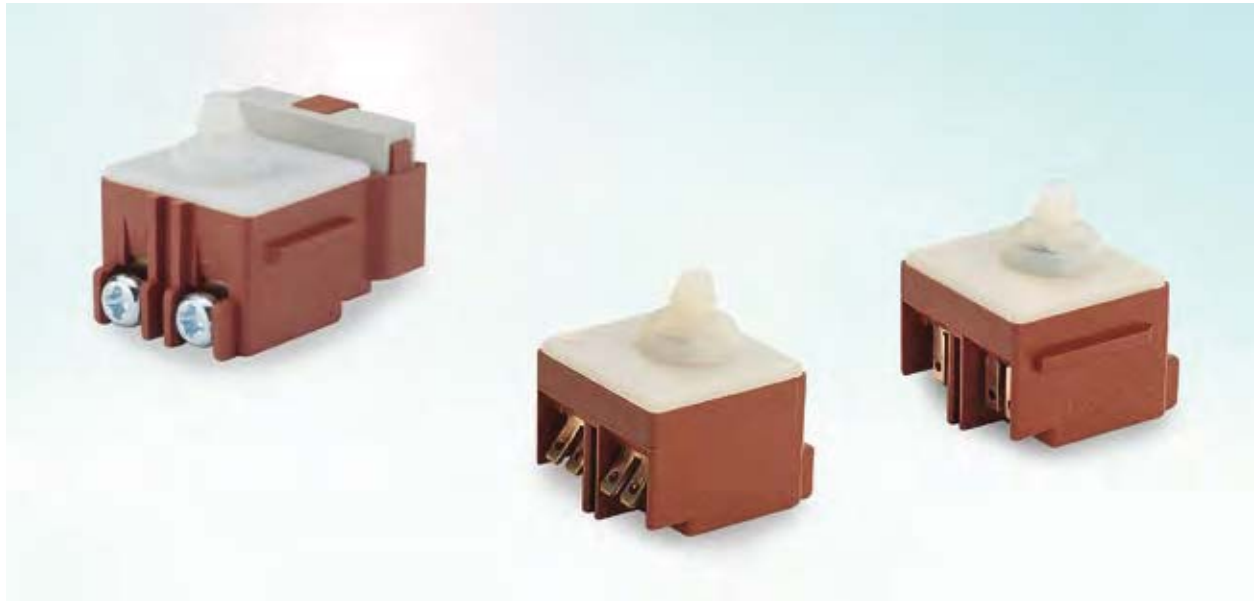




SERIES 1247 - DOUBLE-POLE PUSHBUTTON SWITCHES

TO 7 (7) A 250 V AC







PRODUCT FEATURES

- Powerful single and double-pole pushbutton switch up to 10 A 125 V AC
- Optionally with fastening strip and interference suppression capacitor
- Support point terminal (single-pole normally open contact)
- Dust-protected

ON REQUEST




- Other terminal types




Mechanical life endurance	1E5
Actuator	IP 40
Material actuator housing	PA glass fiber-reinforced Desmopan / PA glass fiber-reinforced
Approval marks	 /  /  / 
Suitable for appliances of protection class II	




SERIES 1247 - DOUBLE-POLE PUSHBUTTON SWITCHES


TO 7 (7) A 250 V AC


 single-pole	10 (10) A 127 V AC 5E4 7 (7) A 250 V AC 5E4 10 A 125 V AC 5 A 250 V AC				Terminal type	Terminal description	Contact distance (mm)		Contact material	Miscellaneous	Stock version
	Normally open contact (SPNO)										
1247.0102	○	○	○	○		2 x M3.5 2 x St 2.8 angled 2 x St 2.8 angled	≥ 3	Ag	without strip		
1247.0301	○	○	○	○		2 x M3.5 2 x 2.8 x 0.8 2 x 2.8 x 0.8	≥ 3	Ag	with strip		

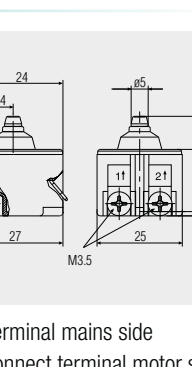
 double-pole	10 (10) A 127 V AC 5E4 7 (7) A 250 V AC 5E4 10 A 125 V AC 5 A 250 V AC				Terminal type	Terminal description	Contact distance (mm)		Contact material	Miscellaneous	Stock version
	Normally open contact (DPNO)										
1247.2102	○	○	○	○		2 x M3.5 2 x St 2.8 angled 2 x St 2.8 angled	≥ 3	Ag	without strip without support terminal		
1247.2301	○	○	○	○		2 x M3.5 2 x 2.8 x 0.8 2 x 2.8 x 0.8	≥ 3	Ag	with strip without support terminal		




Basic type 1247



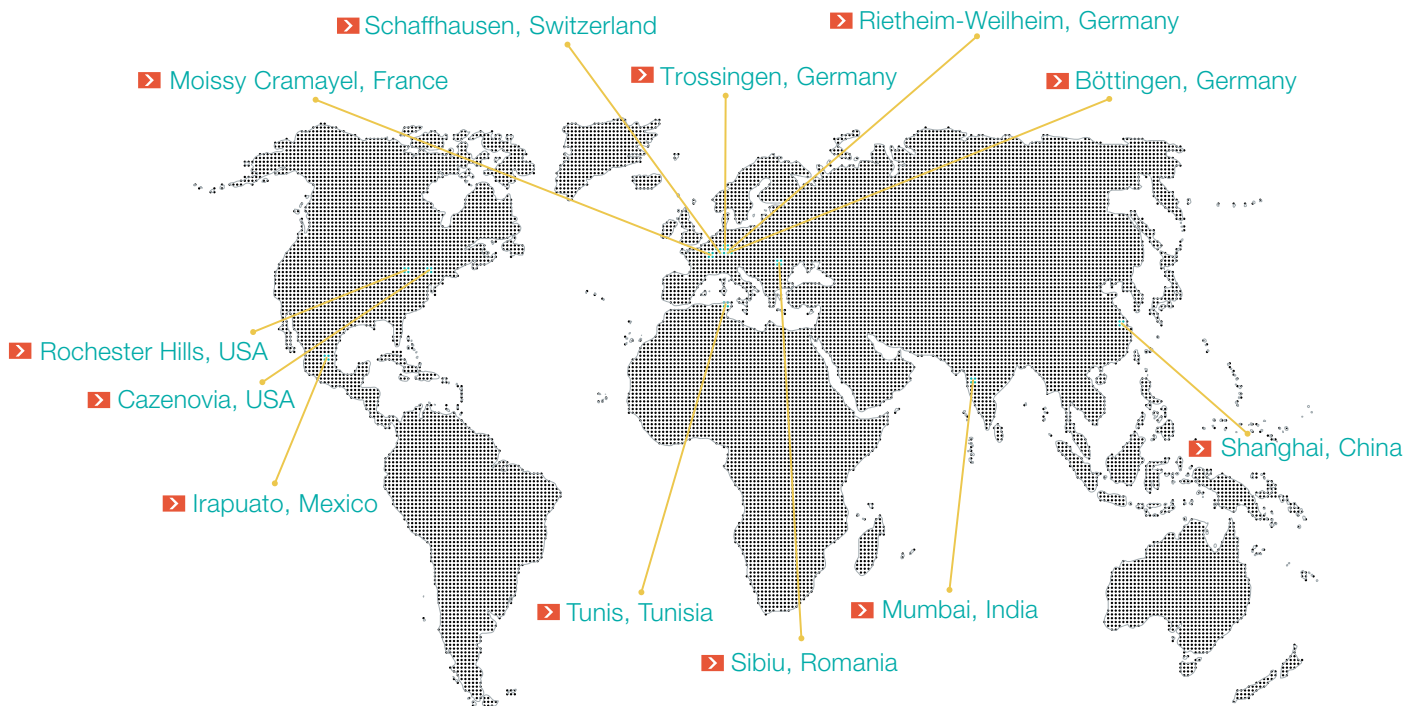
 Screw terminal mains side
Quick-connect terminal motor side
Quick-connect terminal additional connection with strip
1247.0301 and 1247.2301



 Screw terminal mains side
Quick-connect terminal motor side
Quick-connect terminal additional connection without strip
1247.2102 and 1247.0102

ROTARY SWITCHES
 PUSHBUTTON SWITCHES
 TOGGLE SWITCHES
 SLIDE SWITCHES
 ROTARY SWITCHES
 FOOT SWITCHES
 TACT AND KEY SWITCHES
 SMP-ACTION SWITCHES
 MICRO-SIGNAL SWITCHES
 SENSORS
 ECO
 PUSH/DRIVE

MARQUARDT INTERNATIONAL.



HEADQUARTERS

Marquardt Mechatronik GmbH

Schloss-Straße 16
78604 Rietheim-Weilheim / GERMANY
Tel. +49 (0)74 24/99-0
Fax +31 (0)74 24/99-2399
marquardt@marquardt.com
www.marquardt.com

Geuken



DISTRIBUTOR

GEUKEN B.V.

Wattstraat 25a
2723 RA Zoetermeer / NETHERLANDS
Tel. +31 (0)79 361 60 70
Fax +31 (0)79 361 40 90
info@geuken.nl
www.geuken.nl