



SERIES 0350 - THREE-POLE TOGGLE SWITCHES

TO 10 (4) A 400 V AC

PRODUCT FEATURES


- Robust and efficient rocker switch with 100 000 mechanical switching cycles
- With dust seal
- Approval for 400 V

ON REQUEST

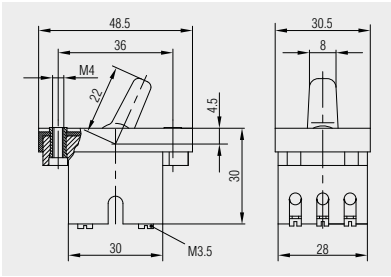
- Other terminal types

Mechanical life endurance	1E5
Material actuator housing terminals	Duroplast Duroplast / PA glass fiber-reinforced chromated
Approval marks	
Suitable for appliances of protection class II	

	Actuator color / printing	Housing color	10 (4) A 400 V AC 5E4	Terminal type	Terminal description	Contact distance (mm)	Contact material	Miscellaneous	Stock version
ON / OFF switch (TPST)									
0350.0101			○		M3.5	≥ 3	Ag	lever with red dot	○
0350.2101			○		M3.5	≥ 3	Ag	3 auxiliary terminals lever with red dot	



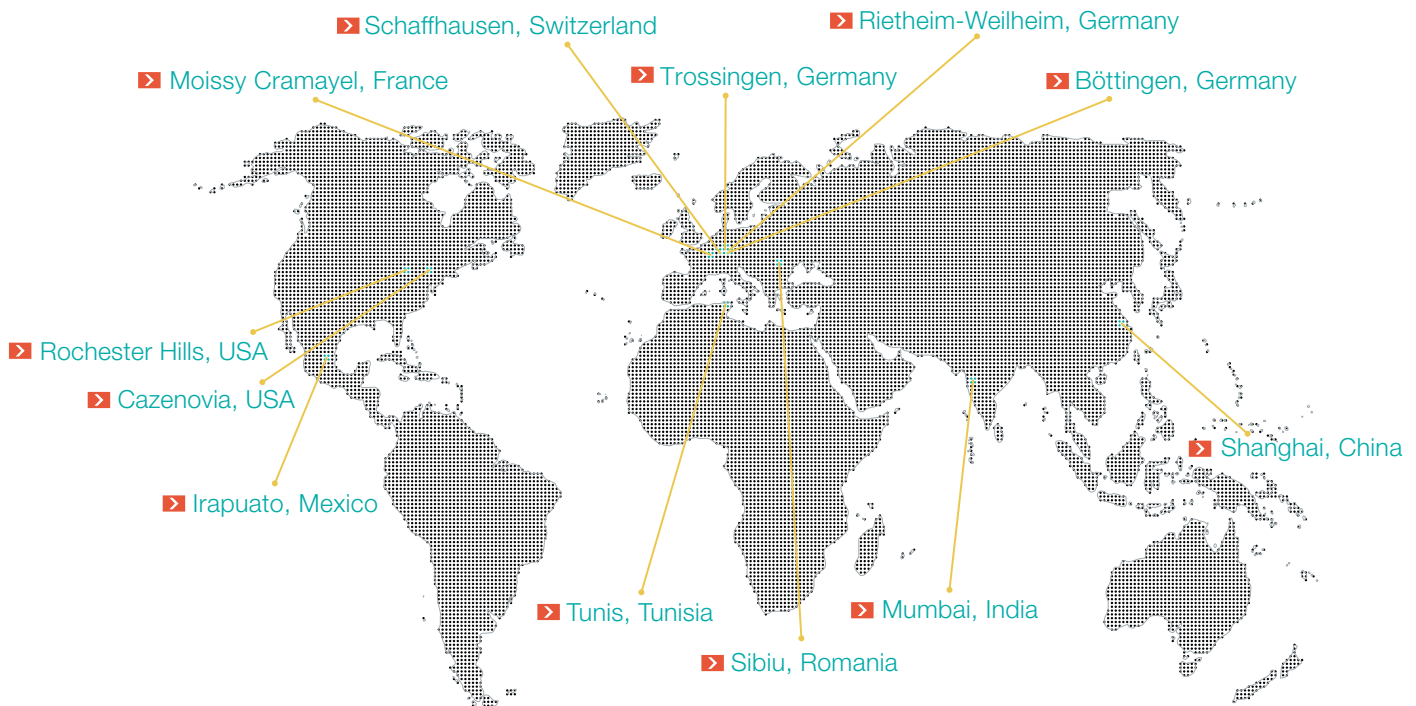
Basic type 0350



Socket terminal M3.5

TOGGLE SWITCHES
 PUSHBUTTON SWITCHES
 ROTARY SWITCHES
 FOOT SWITCHES
 TACT AND KEY SWITCHES
 MICRO-SIGNAL SWITCHES
 SMP-ACTION SWITCHES
 SENSORS
 ECO
 PUSH-IN DRIVE
 SLIDE SWITCHES
 ROCKER SWITCHES

MARQUARDT INTERNATIONAL.



HEADQUARTERS

Marquardt Mechatronik GmbH

Schloss-Straße 16
78604 Rietheim-Weilheim / GERMANY
Tel. +49 (0)74 24/99-0
Fax +31 (0)74 24/99-2399
marquardt@marquardt.com
www.marquardt.com

Geuken



DISTRIBUTOR

GEUKEN B.V.

Wattstraat 25a
2723 RA Zoetermeer / NETHERLANDS
Tel. +31 (0)79 361 60 70
Fax +31 (0)79 361 40 90
info@geuken.nl
www.geuken.nl