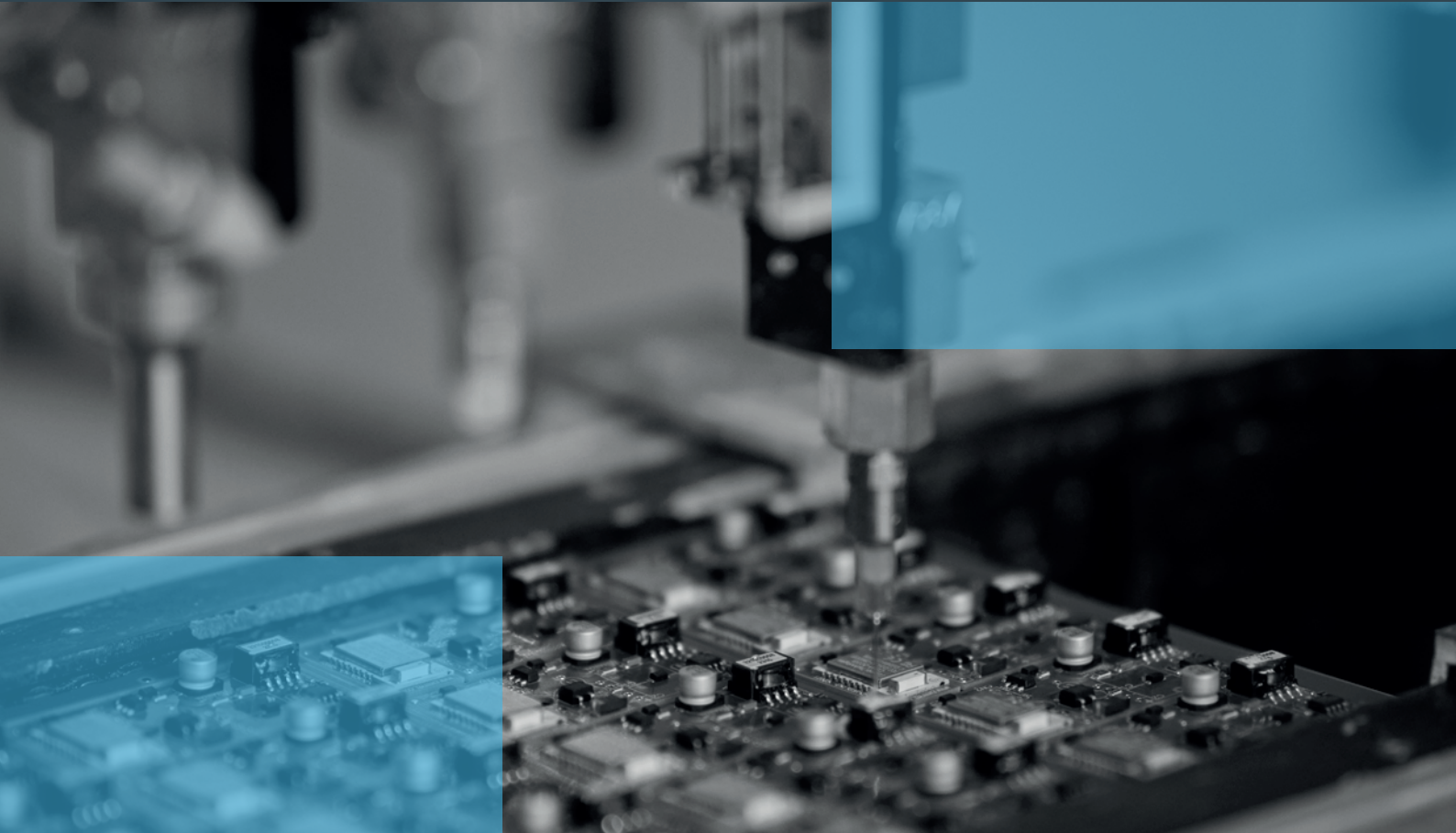




ENTITY[®]
REALIZING YOUR IDEAS

LED MODULES



**WE REALIZE
YOUR IDEAS**

Quello che da sempre contraddistingue Entity è il servizio di co-engineering che consente di collaborare a stretto contatto con i clienti per offrire soluzioni tecniche personalizzate.

The company has always stood out for its co-engineering service, which allows to cooperate closely with customers to offer original technical solutions in defining projects.

LED MODULES

ABOUT US	4
<hr/>	
RIGID	8
<hr/>	
FLEX STRIP	24
<hr/>	
TOOLS	30
<hr/>	
LED SPOTS	34
<hr/>	
SPECIALS	40
<hr/>	

ABOUT US

Progettiamo e realizziamo in Italia schede elettroniche in ambito industriale e lighting

Lungimiranza ed innovazione per il successo dei nostri clienti: questa è **la cultura aziendale che ci guida da sempre nel nostro modo di fare impresa.**

Entity is an international company that designs and produces electronic boards for industrial and lighting uses

Foresight and innovation for the success of our clients-this is **the corporate culture that has always guided our way of doing business.**

Electronica e Led dal 1989

Entity è un'azienda internazionale che progetta e realizza schede elettroniche in ambito industriale e lighting, promuovendo i valori distintivi del Made in Italy dal 1989.

Progettazione Hardware e Software interna, Ricerca e Sviluppo, Prototipazione, accurati Test e Collaudi, fino alla Produzione in serie sono i passaggi fondamentali di un Servizio a 360°, che trova la sua massima espressione nella realizzazione di prodotti customizzati in base alle specifiche esigenze del cliente.

Entity ha messo le proprie radici più di 35 anni fa e da allora, ogni giorno, raccoglie e fa crescere le idee dei suoi clienti, perché il loro successo è anche il proprio.

Electronics and Led since 1989

Entity is an international company that designs and produces electronic boards for industrial use and lighting, promoting the distinctive values of Made in Italy since 1989.

In-house Hardware and Software Design, Research and Development, Prototyping, accurate Testing and Inspection up to Mass Production are the fundamental steps of a 360° service, which finds its maximum expression in the realization of customized products according to specific customer needs.

Entity put down its roots more than 30 years ago, and since then it has been gathering and developing the customers' ideas, as strongly convinced that their success is also its own.

Our values

R&D

Il dipartimento Ricerca & Sviluppo è costituito da Ingegneri professionalmente preparati orientati all'innovazione ed al miglioramento.

The Research and Development department consists of professionally Engineers focused on innovation and improvement.

Experience and Quality

La qualità coinvolge ogni aspetto aziendale: dalla scelta dei macchinari, alla selezione dei migliori componenti presenti sul mercato, dall'accurato controllo di tutte le fasi del processo produttivo all'eccellenza dei servizi erogati.

Quality involves every aspect of the company: from the choice of machinery, to the selection of the best components available on the market, to the control of the various phases of the production process, to the quality of the services provided.

Our customers' success

Il successo dei nostri clienti è il primo degli obiettivi aziendali ed anche il nostro successo.

Our Customers' success is the first of our company's objectives, as well as being our success too.

Made in Italy

L'intero processo di progettazione avviene internamente all'azienda ed ogni fase è sviluppata coi criteri e le caratteristiche che hanno decretato il successo del Made in Italy nel mondo.

The entire design process takes place within the company and each phase is developed with the criteria and characteristics that have decreed the success of Made in Italy in the world.

5-years guarantee

I nostri prodotti sono garantiti 5 anni a testimonianza dello scrupolo con cui progettiamo, selezioniamo materiali e infine produciamo.

Our products come with a 5-year warranty, a sign of the care with which we design, select materials and finally manufacture.



CERTIFICATIONS & APPROVAL MARKS

Certifications

La nostra azienda si impegna quotidianamente per garantire qualità, sostenibilità e sicurezza, valori riconosciuti attraverso tre importanti certificazioni. La **ISO 9001:2015** attesta la nostra costante ricerca dell'efficienza e del miglioramento nei processi aziendali. Con la **ISO 14001** dimostriamo il nostro impegno volontario nella tutela dell'ambiente, contribuendo a un futuro più sostenibile. Infine, la **ISO 45001** testimonia la nostra attenzione verso la salute e la sicurezza sul lavoro, perché il benessere delle persone è un valore fondamentale per noi.

Our company strives daily to ensure quality, sustainability and safety, values recognized through three major certifications. **ISO 9001:2015** attests our constant pursuit of efficiency and improvement in business processes. With **ISO 14001** we demonstrate our voluntary commitment to environmental protection, contributing to a more sustainable future. Finally, **ISO 45001** attests our focus on occupational health and safety, because people's well-being is a core value for us.



Approval marks

I prodotti Entity rispettano gli standard Ecodesign e sono registrati nel database EPREL.

L'azienda è membro DALI e certifica prodotti DALI, DALI-2 e D4i per soluzioni smart.

Il sito produttivo è accreditato UL e i prodotti certificati ENEC, a garanzia di qualità e sicurezza.

Entity products meet Ecodesign standards and are registered in the EPREL database. The company is a DALI member and certifies DALI, DALI-2 and D4i products for smart solutions.

The production site is UL accredited and the products ENEC certified, guaranteeing quality and safety.

PARTNERS

In un mercato sempre più competitivo, potersi affidare a aziende che contano su partnership di riconosciuto valore costituisce un importante vantaggio.

In an increasingly competitive market, being able to rely on companies that rely on partnerships of recognized value is an important advantage.

CASAMBI

ARROW



just ask
amazon alexa

Technology Partner
SILVAIR

Powered by
tuya

works with
Google Assistant

CREE LED

Intelligence
Inside



LED MODULES
RIGID

TUNABLE WHITE **10**

STAR **11**

ROUND **16**

LINEAR **19**

TUNABLE WHITE

EN1712 STAR TW

Modulo con 4 LED, 2 bianco caldo 2000K + 2 bianco naturale 4000K | Module with 4 LEDs, 2 warm white 2000K + 2 natural white 4000K.



Input	350mA-500mA-700mA
Power	4,5W max (50%+50%)
Light output	400lm max (50%+50%)
LED type	Nichia® NCSLE17AT
Nr. of LEDs	4
CCT	2000K+4000K
CRI	>90
Binning	3 StepMcAdam
Accessories	optionals: 250mm cables - lens Ledil Heidi
Dimensions	27x28mm

ORDERING CODE

1200EN1712-9CW-0-NI17C70

1200EN1712-9CW-C-NI17C70 with cables

EN0786 STAR XHP35 (HD/HI)

Modulo con 1 LED, disponibile nelle versioni: HD High Density maggiore emissione luminosa, HI High Intensity maggiori candele ed ideale per fasci di emissione stretti | Module with 1 LED, available in the following versions: HD High Density for higher Light output, HI High Intensity for higher candles and ideal for small angle views.



Input	350mA-500mA-700mA-1000mA
Power	12W max
Light output	950lm max (2700K)-1100lm max (3000K)
LED type	CREE™ XHP35 (HD/HI)
Nr. of LEDs	1
CCT	2700K-3000K
CRI	>90
Binning	Planckiana centered bin
Accessories	optionals: 250mm cables - lens LEDIL Crystal
Dimensions	21x20mm



ORDERING CODE

XHP35 HI versions:	1200ENSTAR-XHP35-I9-BI8	2700K CRI>90
	1200ENSTAR-XHP35-I9-BI1	3000K CRI>90
	1200ENSTAR-XHP35-I9-C-BI8	2700K CRI>90, with cables
	1200ENSTAR-XHP35-I9-C-BI1	3000K CRI>90, with cables
XHP35 HD versions:	1200ENSTAR-XHP35-D9-BI8	2700K CRI>90
	1200ENSTAR-XHP35-D9-BI1	3000K CRI>90
	1200ENSTAR-XHP35-D9-C-BI8	2700K CRI>90, with cables
	1200ENSTAR-XHP35-D9-C-BI1	3000K CRI>90, with cables

EN0786 STAR XHP35 PRO9 (HD/HI)

Modulo con 1 LED, disponibile nelle versioni: HD High Density maggiore emissione luminosa, HI High Intensity maggiori candele ed ideale per fasci di emissione stretti | Module with 1 LED, available in the following versions: HD High Density for higher Light output, HI High Intensity for higher candles and ideal for small angle views.



Input	350mA-500mA-700mA
Power	9W
Light output	900lm max (2700K)-950lm max (3000K)
LED type	CREE™ XHP35.2 PRO9 (HD/HI)
Nr. of LEDs	1
CCT	2700K-3000K
CRI	>90 / >95 on demand
Binning	3 StepMcAdam / 2 StepMcAdam on demand
Accessories	optionals: 250mm cables - lens LEDIL Crystal
Dimensions	21x20mm



ORDERING CODE

XHP35 HI versions:	1200ENSTAR-XHPP9-I9-BI8	2700K CRI>90
	1200ENSTAR-XHPP9-I9-BI1	3000K CRI>90
	1200ENSTAR-XHPP9-I9-C-BI8	2700K CRI>90, with cables
	1200ENSTAR-XHPP9-I9-C-BI1	3000K CRI>90, with cables
XHP35 HD versions:	1200ENSTAR-XHPP9-D9-BI8	2700K CRI>90
	1200ENSTAR-XHPP9-D9-BI1	3000K CRI>90
	1200ENSTAR-XHPP9-D9-C-BI8	2700K CRI>90, with cables
	1200ENSTAR-XHPP9-D9-C-BI1	3000K CRI>90, with cables

EN0786 STAR NICHIA

Modulo con 1 LED | Module with 1 LED.



Input	350mA-500mA-700mA-1000mA-1500mA-1800mA
Power	5,5W max
Light output	750lm max
LED type	Nichia® NVSL219CT
Nr. of LEDs	1
CCT	4000K
CRI	>80
Binning	3 StepMcAdam
Accessories	-
Dimensions	21x20mm

ORDERING CODE
1200ENSTAR-NIC-BI2

EN0786 STAR XP-G4

Modulo con 1 LED | Module with 1 LED.



Input	350mA-500mA-700mA-1000mA
Power	3W max
Light output	310lm max (2700K)
LED type	CREE™ XP-G4
Nr. of LEDs	1
CCT	2700K-3000K
CRI	>90
Binning	Planckiana centered bin
Accessories	optionals: 250mm cables - lens Khatod PL1150XX Khatod PL1145XX
Dimensions	21x20mm

ORDERING CODE
 1200ENSTAR-XPG4-927 2700K
 1200ENSTAR-XPG4-930 3000K
 1200ENSTAR-XPG4-927-C 2700K, with cables
 1200ENSTAR-XPG4-930-C 3000K, with cables



EN1354 STAR 24V

Modulo con 6 LED | Module with 6 LEDs.



Input	24Vdc
Power	1,6W
Light output	150lm
LED type	Lumileds® Luxeon
Nr. of LEDs	6
CCT	3000K
CRI	>90
Binning	3 StepMcAdam
Accessories	optionals: 250mm cables - lens Khatod PL1145XX
Dimensions	21x20mm

ORDERING CODE

1200EN1354-930-0-L314V24

1200EN1354-930-C-L314V24 with cables



EN0985 STAR MINI XP-G4

Modulo con 1 LED | Module with 1 LED.



Input	350mA-500mA-700mA-1000mA
Power	3W max
Light output	310lm max (2700K)
LED type	CREE™ XP-G4
Nr. of LEDs	1
CCT	2700
CRI	>90
Binning	Planckiana centered bin
Accessories	250mm cables
Dimensions	Ø 9,8mm

ORDERING CODE

1200EN0985-XPG4-927 2700K

1200EN0985-XPG4-930 3000K

1200EN0985-XPG4-927-C 2700K, with cables

1200EN0985-XPG4-930-C 3000K, with cables

EN0985 STAR MINI XHP35 (HD/HI)

Modulo con 1 LED, disponibile nelle versioni: HD High Density maggiore emissione luminosa, HI High Intensity maggiori candele ed ideale per fasci di emissione stretti | Module with 1 LED, available in the following versions: HD High Density for higher Light output, HI High Intensity for higher candles and ideal for small angle views.



HD VERSION



HI VERSION



Input	350mA-500mA-700mA-1000mA
Power	12W max
Light output	950lm max (2700K)-1100lm max (3000K)
LED type	CREE™ XHP35 (HD/HI)
Nr. of LEDs	1
CCT	2700K-3000K
CRI	>90
Binning	Planckiana centered bin
Accessories	250mm cables
Dimensions	Ø 9,8mm

ORDERING CODE

XHP35 HI versions:	1200EN0985-XHP35-I9-C-BI8	2700K CRI>90, with cables
	1200EN0985-XHP35-I9-C-BI1	3000K CRI>90, with cables
XHP35 HD versions:	1200EN0985-XHP35-D9-C-BI8	2700K CRI>90, with cables
	1200EN0985-XHP35-D9-C-BI1	3000K CRI>90, with cables

EN1355/EN1356 STAR XHP50.2

Modulo con 1 LED, disponibile nelle versioni: 6V, 12V | Module with 1 LED, available in the following versions: 6V, 12V.



Input	3000mA (6V)-1500mA (12V)
Power	18W max
Light output	1600lm max
LED type	CREE™ XHP50.2
Nr. of LEDs	1
CCT	3000K
CRI	>90
Binning	Planckiana centered bin
Accessories	optionals: 250mm cables - lens LEDIL Iris
Dimensions	21x20mm

ORDERING CODE

1200EN1355-930-0-6XP53M0	3000K 3000mA 6V
1200EN1355-930-C-6XP53M0	3000K 3000mA 6V, with cables
1200EN1356-930-0-2XP5M50	3000K 1500mA 12V
1200EN1356-930-C-2XP5M50	3000K 1500mA 12V, with cables



EN0969 STAR XML2

Modulo con 1 LED | Module with 1 LED.



Input	350mA-500mA-700mA-1000mA (12V)
Power	12W max
Light output	900lm max
LED type	CREE™ XML2
Nr. of LEDs	1
CCT	2700K
CRI	>90
Binning	Planckiana centered bin
Accessories	250mm cables
Dimensions	21x20mm

ORDERING CODE

1200ENSTAR-XML-C-90-B18

EN1121 STAR XML2 RGBW

Modulo con 1 LED RGB+W | Module with 1 RGB+W LED.



Input	350mA-500mA-700mA-1000mA
Power	13W max
Light output	975lm max
LED type	CREE™ XML2
Nr. of LEDs	1
CCT	RGBW (white 4000K-6000K)
CRI	-
Binning	-
Accessories	optionals: 250mm cables
Dimensions	21x20mm

ORDERING CODE

1200ENSTAR-XML-RGB-B12	RGBW 4000K
1200ENSTAR-XML-RGB-B10	RGBW 6000K
1200ENSTAR-XML-C-RGB-B12	RGBW 4000K, with cables
1200ENSTAR-XML-C-RGB-B10	RGBW 6000K, with cables

EN1366 ROUND XP-G4

Modulo con 1 LED | Module with 1 LED.



Input	350mA-500mA-700mA-1000mA
Power	3W max
Light output	340lm max
LED type	CREE™ XP-G4
Nr. of LEDs	1
CCT	3000K
CRI	>90
Binning	Planckiana centered bin
Accessories	optionals: 250mm cables - lens Ledil Emily
Dimensions	Ø 30mm

ORDERING CODE

1200EN1366-930-0

1200EN1366-930-C with cables

EN1433 ROUND XHP-35.2 (HD/HI)

Modulo con 1 LED | Module with 1 LED.



HD VERSION

HI VERSION



Input	350mA-500mA-700mA-1000mA
Power	12,5W max
Light output	950lm max
LED type	CREE™ XHP-35.2 (HD/HI)
Nr. of LEDs	1
CCT	3000K
CRI	>90
Binning	Planckiana centered bin
Accessories	optionals: 250mm cables - lenses: Ledil Heidi, Ledil Iris, Khatod PLL2269SAXX - see datasheet
Dimensions	Ø 27mm

ORDERING CODE

XHP35 HI 1200EN1433-930-0-X35IM05

versions: 1200EN1433-930-C-X35IM05 with cables

XXHP35 HD 1200EN1433-930-C-X35DM05

versions: 1200EN1433-930-C-X35DM05 with cables

EN0842 DISCO 3

Modulo con 3 LED | Module with 3 LEDs.



Input	350mA-500mA-700mA-1000mA
Power	9W max
Light output	1020lm max
LED type	CREE™ XP-G4
Nr. of LEDs	3
CCT	3000K
CRI	>90
Binning	Planckiana centered bin
Accessories	250mm cables - optionals: lens Khatod PL1143XX
Dimensions	Ø 22,6mm

ORDERING CODE

1200ENDISCO3-B6-927	2700K
1200ENDISCO3-B6-930	3000K

EN0847 ROUND 3

Modulo con 3 LED | Module with 3 LEDs.



CV version input	12Vdc-24Vdc
CV version power	3.3W max
CV version light output	499lm max
CC version input	350mA-500mA-700mA-1000mA
CC version power	9W max
CC version light output	975lm max
LED type	CREE™ XP-G4
Nr. of LEDs	3
CCT	3000K
CRI	>80
Binning	Planckiana centered bin
Accessories	250mm cables
Dimensions	Ø 46mm

ORDERING CODE

1200EN0847-V2435-XPG4-827	2700K, CV version
1200EN0847-V2435-XPG4-830	3000K, CV version
1200EN0847-XPG4-827	2700K, CC version
1200EN0847-XPG4-830	3000K, CC version

EN0845 ROUND 7

Modulo con 7 LED | Module with 7 LEDs.



Input	350mA-500mA-700mA-1000mA
Power	21W max
Light output	2380lm max
LED type	CREE™ XP-G4
Nr. of LEDs	7
CCT	3000K
CRI	>90
Binning	Planckiana centered bin
Accessories	250mm cables - optional lenses Khatod PL1211XX-CREE - PL1214XX-CRE
Dimensions	Ø 39mm

ORDERING CODE

1200ENDISCO7-B1-B11

EN1911 ROUND RGBW

Modulo con 4 LED RGBW | Module with 4 RGBW LEDs.



Input	350mA-500mA-700mA-1000mA
Power	12W max
Light output	710lm max
LED type	CREE™ XQ-E HI
Nr. of LEDs	4
CCT	RGBW (white 3000K CRI>90)
CRI	-
Binning	-
Accessories	optionals: 250mm cables - lenses: Khatod PL1133XX - Khatod PL1590 - Ledil C16194 Gabriella
Dimensions	30x29,4mm

ORDERING CODE

1200EN1911-RGBW-004

1200EN1911-RGBW-005 with cables

EN2173 LED MODULE

EN2173 modulo LED compatibile con binari Stucchi a bassa tensione | EN2173 LED module compatible with Stucchi low voltage tracks.



Input	48Vdc
Nominal power	11W
LED quantity	56
Accessories	connector WAGO 2059-301/998-403
Dimensions	560x18,5mm
Approval marks	-

ORDERING CODE	
1200EN2173-927	2700K, CRI90
1200EN2173-930	3000K, CRI90



EN1819 DALI LED STICK

EN1819 DALI è un modulo equipaggiato con 5 LED Nichia NCSWE17AT-V1, ideale per track di A.A.G. Stucchi | EN1819 DALI is a module equipped with 5 Nichia LEDs NCSWE17AT-V1, ideal for A.A.G. Stucchi track.



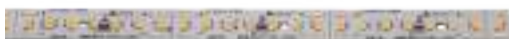
Input	24Vdc - 48Vdc
Power	5,3W
Light output	530lm (2700K)-570lm (4000K)
LED type	Nichia NCSWE17AT-V1
Nr. of LEDs	5
CCT	2700K-3000K-4000K
CRI	90
Binning	3 StepMcAdam
Accessories	-
Dimensions	260x8,20mm
Approval marks	-

ORDERING CODE	
1200EN1819-0-001	2700K
1200EN1819-0-002	3000K
1200EN1819-0-003	4000K



EN1832 LINEAR 70LED

Modulo con 70 LED | Module with 70 LEDs.



Input	24Vdc
Power	8,5W-12W
Light output	1700lm max
LED type	CREE™ 2835
Nr. of LEDs	70
CCT	3000K
CRI	>90
Binning	Planckiana centered bin
Accessories	-
Dimensions	500x12mm - cuttable every 50mm

ORDERING CODE

1200EN1832-930-Z-28JEV24	8,5W
1200EN1832-930-J-28JEV24	12W

EN1955 LINEAR 122 LED

Modulo con 122 LED | Module with 122 LEDs.



Input	24Vdc
Power	7W-16W
Light output	1900lm max
LED type	CREE™ 2016
Nr. of LEDs	122
CCT	3000K
CRI	>90
Binning	Planckiana centered bin
Accessories	-
Dimensions	560x5,8mm - cuttable every 35mm

ORDERING CODE

1200EN1955-008	7W
1200EN1955-004	16W

EN1830 LINEAR 120LED

Modulo con 120 LED, compatibile con binari a bassa tensione MICRO di A.A.G. Stucchi. Disponibili in quattro versioni: solo modulo, modulo-testa (cavi+connettori), di congiunzione (connettori), modulo con cavi da un solo lato | Module with 120 LEDs, compatible with MICRO LV tracks from A.A.G. Stucchi. Available in four versions: only module, head-module (cables+connectors), connection-module (connectors), module with cables on one side.



Input	350mA-500mA-700mA
Power	26W max
Light output	3100lm max (2700K)-3300lm max (3000K)
LED type	CREE™ 2016
Nr. of LEDs	120
CCT	2700K-3000K
CRI	>90
Binning	Planckiana centered bin
Accessories	optionals: connectors - cables+connectors - cables/one side
Dimensions	500x7mm - cuttable every 50mm

related item

▶ see **EN1892** in
FOR TRACKS
catalogue

ORDERING CODE

1200EN1830-927-0	2700K, only module
1200EN1830-930-0	3000K, only module
1200EN1830-927-1	2700K, connection-module (with connectors)
1200EN1830-930-1	3000K, connection-module (with connectors)
1200EN1830-927-2	2700K, head-module (cables+connectors)
1200EN1830-930-2	3000K, head-module (cables+connectors)
1200EN1830-927-3	2700K, cables one side
1200EN1830-930-3	3000K, cables one side

EN1792 LINEAR 48LED 200LM/W

Modulo con 48 LED con efficienza 114lm/W, compatibile con le principali lenti lineari Zhaga book 7, come ad esempio Khatod Superlinea in PMMA, resistente a temperature -40° + 80° con versioni IP65. Per maggiori informazioni: www.khatod.com | Module with 48 LEDs with 114lm/W efficiency, compatible with the main linear lenses Zhaga book 7; for example, Khatod Superlinea in PMMA, -40° +80° temperature resistant with IP65 versions. For more information: www.khatod.com



Input	350mA-500mA-700mA
Power	25,5W max
Light output	2900lm max
LED type	CREE™ 2835
Nr. of LEDs	48
CCT	3000K
CRI	>95
Binning	3 StepMcAdam
Accessories	optionals: lens Khatod Superlinea
Dimensions	559x23,6mm

ORDERING CODE

1200EN1792-530-0-28JEC50



EN1792 LINEAR 48LED CRI>95

Modulo con 48 LED CRI>95, compatibile con le principali lenti lineari Zhaga book 7, come ad esempio Khatod Superlinea in PMMA, resistente a temperature $-40^{\circ} + 80^{\circ}$ con versioni IP65. Per maggiori informazioni: www.khatod.com | Module with 48 LEDs CRI>95, compatible with the main linear lenses Zhaga book 7; for example, Khatod Superlinea in PMMA, $-40^{\circ} + 80^{\circ}$ temperature resistant with IP65 versions. For more information: www.khatod.com



Input	350mA-500mA-700mA
Power	26W max
Light output	3050lm max
LED type	Cree™ 2835
Nr. of LEDs	48
CCT	3000K
CRI	>95
Binning	3 StepMcAdam
Accessories	optionals: lens Khatod Superlinea
Dimensions	559x23,6mm

ORDERING CODE

1200EN1792-530-0-28JEC50

EN1792 LINEAR TW

Modulo con 48+48 LEDs, bianco dinamico, compatibile con le principali lenti lineari Zhaga book 7, come ad esempio Khatod Superlinea in PMMA, resistente a temperature $-40^{\circ} + 80^{\circ}$ con versioni IP65. Per maggiori informazioni: www.khatod.com | Module with 48+48 LEDs, tunable white, compatible with the main linear lenses Zhaga book 7; for example, Khatod Superlinea in PMMA, $-40^{\circ} + 80^{\circ}$ temperature resistant with IP65 versions. For more information: www.khatod.com



Input	350mA-500mA-700mA
Power	25W max (50%+50%)
Light output	4200lm max (50%+50%)
LED type	Osram® Duris, Cree™
Nr. of LEDs	48+48
CCT	2700K-6500K
CRI	>80
Binning	3 StepMcAdam
Accessories	optionals: lens Khatod Superlinea
Dimensions	559x23,6mm

ORDERING CODE

1200EN1792-8CW-0-28OSC50

EN1801 LINEAR STOCK&SHOP

Modulo con 33 LED compatibile con lenti Khatod serie "Stock&Shop 11x3", soluzione ottica per sistemi di illuminazione utilizzati in ambienti con soffitti alti e strutture industriali. Soddisfano i requisiti per le applicazioni che richiedono un'alta efficienza sia in termini energetici che d'illuminazione. Per maggiori informazioni: www.khatod.com | Module with 33 LEDs compatible with Khatod lenses "Stock&Shop 11x3", optical solution for lighting systems used in rooms with high ceilings and industrial framing. Perfectly meet the requirements for applications that need high-efficiency lighting while being energy efficient. For more information: www.khatod.com



Input	350mA-500mA
Power	38W max
Light output	4000lm max
LED type	CREE™ 3030
Nr. of LEDs	33
CCT	3000K
CRI	>90
Binning	Planckiana centered bin
Accessories	optionals: lens Khatod Stock&Shop 11x3
Dimensions	276x55mm

ORDERING CODE
1200EN1801-930-0-CR33000

EN2226 TW

EN2226 TW modulo LED con 120+120 LEDs , abbinabile con EN1999 compatibile con binario Micro/CORE11 di A.A.G. Stucchi | EN2226 TW LED module with 120+120 LEDs , can be combined with EN1999 compatible with A.A.G. Stucchi Micro/CORE11 track.



Input	48Vdc
Power	8W max (50%+50%)
Light output	896lm max
LED type	SMD 2216
Nr. of LEDs	120+120
CCT	2200K-5000K
CRI	90
Accessories	-
Dimensions	500x7mm
Approval marks	-

ORDERING CODE
1350EN2226.001



LED MODULES

FLEX STRIP

HI-STRIP

26

HI-STRIP

24V

EN1574 140 LED/MT

Strip flessibile 140 LED/mt | Flexible strip 140 LEDs/mt.



Input	24Vdc
Power	32,6W/mt - 16,2W/mt
Light output	version 60mA: 4700lm/mt version 30mA: 2300lm/mt
LED type	BRIDGELUX 2835 F90
Nr. of LEDs	140LED/mt
CCT	3000K
CRI	>90
Binning	2 StepMcAdam
Accessories	5mt reels
Dimensions	5004x8mm - cuttable every 50mm

ORDERING CODE

1200EN1574-930-G-28BXV24 60mA
1200EN1574-930-H-28BXV24 30mA

24V

EN1430 140 LED/MT

Strip flessibile 140 LED/mt | Flexible strip 140 LEDs/mt.



Input	24Vdc
Power	14,4W/mt - 28,8W/mt
Light output	version 14,4W/mt: 1400lm/mt (2700K)-1500lm/mt (3000K) version 28,8W/mt: 2800lm/mt (2700K)-3000lm/mt (3000K)
LED type	Lumileds® Luxeon, CREE™
Nr. of LEDs	140LED/mt
CCT	2700K-3000K
CRI	>90
Binning	3 StepMcAdam
Accessories	5mt reels
Dimensions	5008x8mm - cuttable every 100mm

ORDERING CODE

1200EN1430-927-H-L314V24 2700K 14,4W/mt
1200EN1430-927-G-L314V24 2700K 28,8W/mt
1200EN1430-930-H-L314V24 3000K 14,4W/mt
1200EN1430-930-G-L314V24 3000K 28,8W/mt

EN1430 TW

Strip flessibile con 140 LED/mt, 70 bianco caldo 2200K + 70 bianco freddo 6500K | Flexible strip with 140 LEDs/mt, 70 warm white 2200K + 70 cold white 6500K.



Input	24Vdc
Power	14,4W/mt-28,8W/mt
Light output	version 14,4W/mt (50%+50%): 1500lm/mt version 28,8W/mt (50%+50%): 3000lm/mt
LED type	Lumileds® Luxeon
Nr. of LEDs	140LED/mt
CCT	2200K-6500K
CRI	>90
Binning	3 StepMcAdam
Accessories	5mt reels
Dimensions	5008x8mm - cuttable every 100mm

ORDERING CODE

1200EN1430-9CW-H-L314V24	14,4W/mt
1200EN1430-9CW-G-L314V24	28,8W/mt

EN1574 140 LED/MT

Strip flessibile 140 LED/mt | Flexible strip 140 LEDs/mt.



Input	24Vdc
Power	14,4W/mt - 28,8W/mt
Light output	version 14,4W/mt: 1450lm/mt (2700K)-1500lm/mt (3000K) version 28,8W/mt: 2900lm/mt (2700K)-3000lm/mt (3000K)
LED type	Lumileds® Luxeon, CREE™
Nr. of LEDs	140LED/mt
CCT	2700K-3000K
CRI	>90
Binning	3 StepMcAdam
Accessories	5mt reels
Dimensions	5004x8mm - cuttable every 50mm

ORDERING CODE

1200EN1574-927-H-28ELV24	2700K 14,4W/mt
1200EN1574-927-G-28ELV24	2700K 28,8W/mt
1200EN1574-930-H-28ELV24	3000K 14,4W/mt
1200EN1574-930-G-28ELV24	3000K 28,8W/mt

HI-STRIP

24V

EN1757 210 LED/MT

Strip flessibile 210 LED/mt | Flexible strip 210 LEDs/mt.



Input	24Vdc
Power	14,4W/mt
Light output	1700lm/mt
LED type	CREE™ 2016
Nr. of LEDs	210LED/mt
CCT	2700K
CRI	>90
Binning	3Step
Accessories	5mt reels
Dimensions	5002x5mm - cuttable every 33,33mm

ORDERING CODE

1200EN1757-927-H-2016V24

48V

EN1575 140 LED/MT 48V

Strip flessibile 140 LED/mt | Flexible strip 140 LEDs/mt.



Input	48Vdc
Power	14,4W/mt - 28,8W/mt
Light output	version 14,4W/mt: 1450lm/mt (2700K)-1600lm/mt (3000K) version 28,8W/mt: 2900lm/mt (2700K)-3200lm/mt (3000K)
LED type	Lumileds® Luxeon, CREE™
Nr. of LEDs	140LED/mt
CCT	2700K-3000K
CRI	>90
Binning	3 StepMcAdam
Accessories	5mt reels
Dimensions	5004x8mm - cuttable every 100mm

ORDERING CODE

1200EN1575-927-H-28ELV48	2700K 14,4W/mt
1200EN1575-927-G-28ELV48	2700K 28,8W/mt
1200EN1575-930-H-28ELV48	3000K 14,4W/mt
1200EN1575-930-G-28ELV48	3000K 28,8W/mt

EN1789 210 LED/MT 48V

Strip flessibile 210 LED/mt | Flexible strip 210 LEDs/mt.



Input	48Vdc
Power	13,4W/mt
Light output	1600lm (2700K)-1800lm/mt (3000K)
LED type	CREE™ 2016
Nr. of LEDs	210LED/mt
CCT	2700K-3000K
CRI	>90
Binning	3Step
Accessories	5mt reels
Dimensions	5002x4mm - cuttable every 71,41mm

ORDERING CODE

1200EN1789-927-H-2016V48 2700K
1200EN1789-930-H-2016V48 3000K

EN1736 TW 48V


Strip flessibile con 186 LED/mt, 93 bianco caldo 2200K + 93 bianco freddo 6500K | Flexible strip with 186 LEDs/mt, 93 warm white 2200K + 93 cold white 6500K.



Input	48Vdc
Power	19W/mt-38W/mt
Light output	version 19W/mt (50%+50%): 1100lm/mt version 38W/mt (50%+50%): 2200lm/mt
LED type	Lumileds® Luxeon, CREE™
Nr. of LEDs	196LED/mt
CCT	2200K-6500K
CRI	>90
Binning	3 StepMcAdam
Accessories	5mt reels
Dimensions	5008x8mm - cuttable every 150,4mm

ORDERING CODE

1200EN1736-9CW-H-L314V48 19W/mt
1200EN1736-9CW-G-L314V48 38W/mt



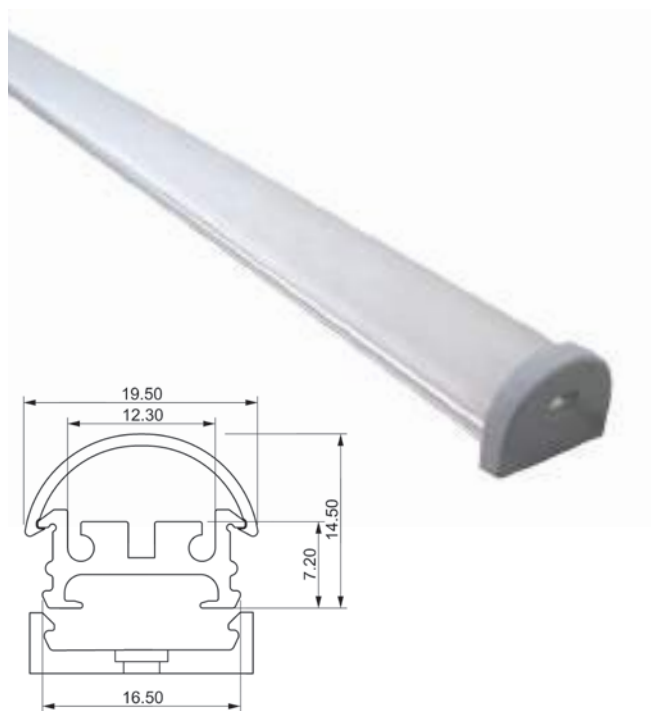
LED MODULES
TOOLS

PROFILES

32

EXCALIBUR

Profilo a LED in alluminio (varie finiture), completo di accessori | Aluminium LED profile (several finishes), complete of all accessories.



ORDERING CODES

Profile, 2mt

- 430400069 aluminium
- 430400070 black
- 430400071 white

Cover, 2mt

- ▒ 430400281 frosted
- 430400306 transparent

End caps (kit for 5 profiles: 10 pcs in total)

- 430400302 aluminium
- 430400294 black
- 430400295 white

Fastening clips

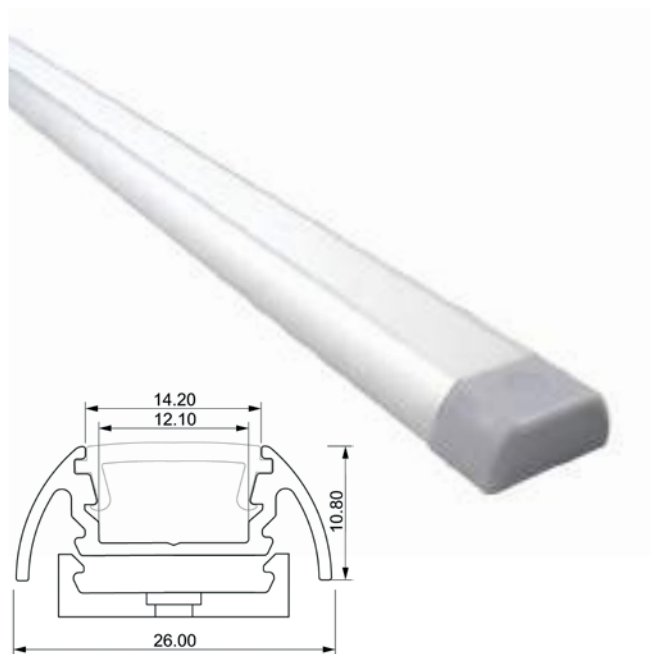
- 430400097 aluminium
- 430400098 black
- 430400099 white

Wall brackets (kit 20pcs)

430400007

ARTÙ

Profilo a LED in alluminio (varie finiture), completo di accessori | Aluminium LED profile (several finishes), complete of all accessories.



ORDERING CODES

Profile, 2mt

- 430400087 aluminium
- 430400090 black
- 430400091 white

Cover, 2mt

- ▒ 430400424 frosted
- 430400292 transparent
- ▒ 430400291 opal
- ▒ 430400453 square, opal

End caps (kit for 5 profiles: 10 pcs in total)

- 430400014 aluminium
- 430400056 black
- 430400055 white

Fastening clips

- 430400097 aluminium
- 430400098 black
- 430400099 white

LANCILLOTTO

Profilo a LED in alluminio (varie finiture), completo di accessori | Aluminium LED profile (several finishes), complete of all accessories.



ORDERING CODES

Profile, 2mt

■	430400078	aluminium
■	430400079	black
□	430400080	white

Cover, 2mt

▨	430400424	frosted
□	430400292	transparent
■	430400291	opal
■	430400453	square, opal

End caps (kit for 5 profiles: 10 pcs in total)

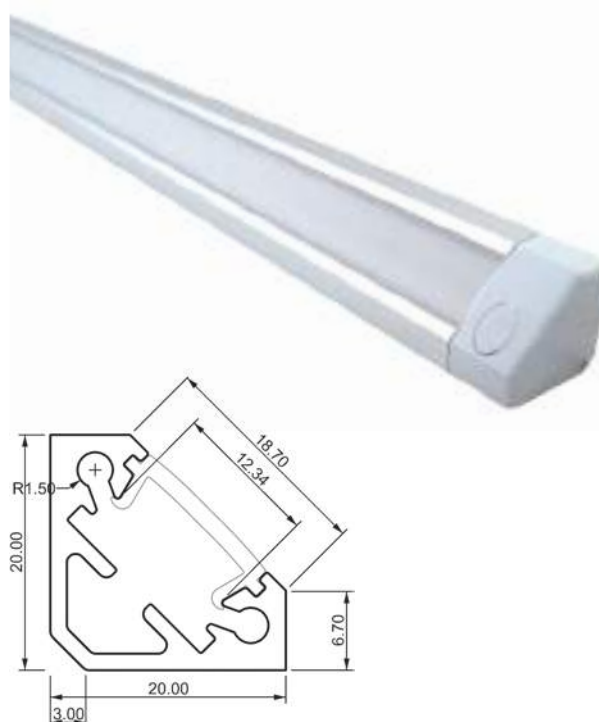
■	430400011	aluminium
■	430400058	black
□	430400057	white

Bracket for recessed applications

■	430400064	aluminium
---	-----------	-----------

TRISTANO

Profilo a LED in alluminio (varie finiture), completo di accessori | Aluminium LED profile (several finishes), complete of all accessories.



ORDERING CODES

Profile, 2mt

■	430400074	aluminium
■	430400030	black
□	430400034	white

Cover, 2mt

▨	430400424	frosted
□	430400292	transparent
■	430400291	opal
■	430400453	square, opal

End caps (kit for 5 profiles: 10 pcs in total)

■	430400037	aluminium
■	430400060	black
□	430400059	white

Bracket for recessed applications

■	430400064	aluminium
---	-----------	-----------



LED MODULES

LED SPOTS

SPOTLIGHTS

36

SPOTLIGHTS

NANO ALLUSPOT

Spot con 1 LED | Spot with 1 LED.



Input	350mA-500mA-700mA
Power	2W max
Light output	266lm max
LED type	CREE™ XP-G4
Nr. of LEDs	1
CCT	3000K
CRI	>80
Binning	Planckiana centered bin
Accessories	250mm cables - integrated lens 60° - thread M16
Dimensions	Ø 17mm

ORDERING CODE

1200EN0857-XPG4-840 4000K

SPOT H3

Spot con 1 LED | Spot with 1 LED.



Input	350mA-500mA-700mA
Power	2W max
Light output	266lm max
LED type	CREE™ XP-G4
Nr. of LEDs	1
CCT	3000K
CRI	>80
Binning	Planckiana centered bin
Accessories	250mm cables - integrated lens 15° - 30° - 60° - thread 1/2 NPT
Dimensions	Ø 27mm

ORDERING CODE

1200ENSPOTH3-C15-B11 lens 15°

1200ENSPOTH3-C30-B11 lens 30°

1200ENSPOTH3-C60-B11 lens 60°

SPOT H4

Spot con 1 LED | Spot with 1 LED.



Input	350mA-500mA-700mA
Power	2W max
Light output	266lm max
LED type	CREE™ XP-G4
Nr. of LEDs	1
CCT	3000K
CRI	>80
Binning	Planckiana centered bin
Accessories	250mm cables - integrated lens 12° - 30° - 40° - thread PG21
Dimensions	Ø 35mm

ORDERING CODE

1200ENSPOTH4-N-B11	lens 12°
1200ENSPOTH4-M-B11	lens 30°
1200ENSPOTH4-W-B11	lens 40°

SPOT H11

Spot con 1 LED | Spot with 1 LED.



Input	350mA
Power	1,1W max
Light output	167lm max
LED type	CREE™ XP-G4
Nr. of LEDs	1
CCT	3000K
CRI	>80
Binning	Planckiana centered bin
Accessories	250mm cables - integrated lens
Dimensions	Ø 30mm

ORDERING CODE

1200ENSPOTH11-T-N-B11	lens 15°
1200ENSPOTH11-T-M-B11	lens 30°
1200ENSPOTH11-T-W-B11	lens 60°

SPOT H4

Spot con 1 LED | Spot with 1 LED.



Input	350mA
Power	1,1W max
Light output	167lm max
LED type	CREETM
Nr. of LEDs	1
CCT	RGB
CRI	-
Binning	-
Accessories	250mm cables - integrated lens - thread PG21
Dimensions	Ø 35mm



ORDERING CODE

1200ENSPOTH4-N-RGBFC lens 12°
 1200ENSPOTH4-M-RGBFC lens 30°
 1200ENSPOTH4-W-RGBFC lens 40°

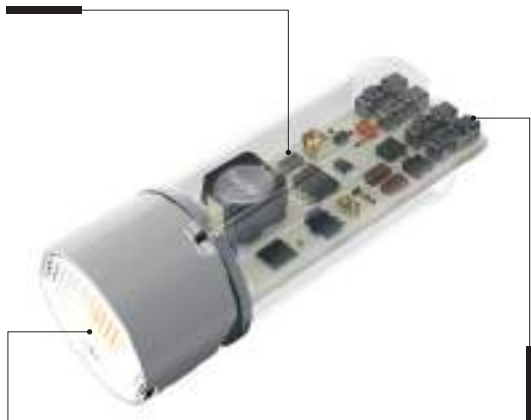
CORELED

Entity presenta CORELED, un innovativo modulo LED completo di driver DALI, dissipatore, LED, relativa lente e connettori. Il tempo che era prima necessario alla ricerca delle varie componenti, serve ora a dare spazio alla creatività. Le dimensioni contenute offrono l'opportunità di realizzare design miniaturizzati garantendo, inoltre, una sensibile riduzione dei costi e tempi di assemblaggio. Una soluzione finita attorno alla quale poter progettare la propria lampada o soluzione illuminotecnica. All you need to do is dress up your lamp! | Entity presents CORELED, an innovative LED module complete of DALI driver, heat sink, LED, related lens and connectors. The time for researching and testing the various components, serve now to leave space for creativity. The small size offers the opportunity to create unlimited and miniaturized designs; assembly times and costs come significantly reduced. A complete solution around which designing your lamp or lighting solution. All you need to do is dress up your lamp!



Input	24Vdc-48Vdc
Output	100mA-700mA (programmable through DALI master)
Output range	5Vdc-43Vdc
Bus	DALI
Dimming	off, 2%-100%
Frequency	PWM 2kHz+analogic
Power	5W max @700mA
Light output	530lm
LED type	CREE™ J5050
Nr. of LEDs	1
CCT	2700K
CRI	>90
Binning	Planckiana centered bin
Highlights	protections against: voltage spikes - bus short circuit.
Accessories	connectors - lens 9,6°-25°-40°
Dimensions	61,6xØ21mm
Approval marks	 

Dissipatore con driver DALI integrato
Heat sink with integrated DALI driver



Connettori per DALI ed alimentazione 24V-48V
Connectors for DALI and power line 24V-48V

Modulo LED 5W, 600lm ≈ con lente integrata
LED module 5W, 600lm ≈ with integrated lens

ORDERING CODE

1200CORELED-2770-01-24	24V, no lens
1200CORELED-2770-S-24	24V, 9,6° lens
1200CORELED-2770-M-24	24V, 25° lens
1200CORELED-2770-L-24	24V, 40° lens
1200CORELED-2770-01	48V, no lens
200CORELED-2770-S	48V, 9,6° lens
1200CORELED-2770-M	48V, 25° lens
200CORELED-2770-L	48V, 40° lens

1

Lampade in generale
Lamps in general



2

Binari a bassa tensione
Low voltage tracks

 **STUCCHI** *micro*
Follow your illumination WHEN SMALL MATTERS



Compatibile anche con binari curvi,
grazie all'adattatore dedicato
Compatible with curved tracks,
thanks to the dedicated adapter



LED MODULES
SPECIALS

STREET LIGHTING **42**

RETAIL **44**

SOLUZIONI LED PER IL SETTORE STRADALE

Entity è a disposizione per supportare il cliente nella progettazione e produzione di soluzioni LED ad alta potenza per il settore stradale, selezionando i migliori LED e componenti per la migliore efficienza lm/W.

Ad esempio, XHP series CREE Extreme-High-Power LEDs "IXLamp® Extreme High Power (XHP) LED di Cree forniscono il doppio del flusso luminoso e maggiore affidabilità per consentire fino a costi di sistema inferiori del 40%.

Produttori di illuminazione possono ridurre drasticamente le dimensioni ed il costo della progettazione del sistema di illuminazione con un minor numero di ottiche, un circuito stampato più piccolo e quindi un costo di montaggio più basso.

Inoltre, i LED XHP possono raggiungere una vita maggiore anche a temperature di funzionamento più elevate dello standard, consentendo ai produttori di illuminazione di ridurre le dimensioni del dissipatore di calore senza impattare la durata nominale."

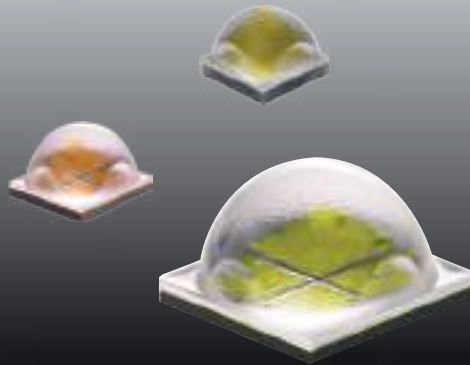
LED SOLUTIONS FOR STREET LIGHTING

Entity supports the client in designing and manufacturing high power LED solutions for street lighting, by selecting the best LEDs and components for the higher lm/W efficiency.

For example, XHP series CREE Extreme-High-Power LEDs "Cree's new XLP™ Extreme High Power (XHP) LEDs provide twice the lumen output and improved reliability to enable up to 40% lower system cost.

Lighting manufacturers can drastically reduce the size and cost of their lighting system design by using fewer, more-reliable LEDs to achieve the same brightness. XHP LEDs enable new lighting designs that require fewer optics, a smaller printed circuit board, a smaller housing and less handling.

In addition, XHP LEDs achieve longer lifetimes even at higher operating temperatures and currents than previous LED technology, allowing lighting manufacturers to reduce heat-sink size and cost without impacting the rated lifetime."



EN1380 STREET RECTANGULAR

Modulo con 4 LED | Module with 4 LEDs.



Input	350mA-500mA-700mA-1000mA
Power	52W max
Light output	5100lm max
LED type	CREE™ XHP35 HD
Nr. of LEDs	4
CCT	3000K
CRI	>80
Binning	-
Accessories	optionals: lens Ledil Strada
Dimensions	64x50mm

ORDERING CODE

1200EN1380-830-0-X35DM05

1200EN1380-830-L-X35DM05 with lens



with lens

EN1368 STREET SQUARE

Modulo con 4 LED | Module with 4 LEDs.



Input	350mA-4800mA
Power	122W max
Light output	1m max
LED type	CREE™ XHP70.2
Nr. of LEDs	4
CCT	-
CRI	-
Binning	-
Accessories	optionals: lens Ledil Strada
Dimensions	90x90mm

ORDERING CODE

on demand



with lens



EN1574 140 LED/MT CRISP

Strip flessibile 140 LED/mt | Flexible strip 140 LEDs/mt.



Input	24Vdc
Power	14,4W/mt - 28,8W/mt
Light output	version 14,4W/mt: 1680lm/mt (3000K)-1830lm/mt (4000K) version 28,8W/mt: 3250lm/mt (3000K)-3550lm/mt (4000K)
LED type	Lumileds® Luxeon Crisp Color
Nr. of LEDs	140LED/mt
CCT	3000K-4000K
CRI	>95 R9>90
Binning	3 StepMcAdam
Accessories	5mt reels
Dimensions	5004x8mm - cuttable every 50mm

ORDERING CODE

1200EN1574-930-H-28CCV24	3000K 14,4W/mt
1200EN1574-930-G-28CCV24	3000K 28,8W/mt
1200EN1574-940-H-28CCV24	4000K 14,4W/mt
1200EN1574-940-G-28CCV24	4000K 28,8W/mt

SUMMARY

LED MODULES

RIGID

TUNABLE WHITE

EN1712 STAR TW 10

STAR

EN0786 STAR XHP35 (HD/Hi) 11

EN0786 STAR XHP35 PRO9 (HD/Hi) 11

EN0786 STAR NICHIA 12

EN0786 STAR XP-G4 12

EN1354 STAR 24V 13

EN0985 STAR MINI XP-G4 13

EN0985 STAR MINI XHP35 (HD/Hi) 14

EN1355/EN1356 STAR XHP50.2 14

EN0969 STAR XML2 15

EN1121 STAR XML2 RGBW 15

ROUND

EN1366 ROUND XP-G4 16

EN1433 ROUND XHP-35.2 (HD/Hi) 16

EN0842 DISCO 3 17

EN0847 ROUND 3 17

EN0845 ROUND 7 18

EN1911 ROUND RGBW 18

LINEAR

EN2173 LED MODULE 19

EN1819 DALI LED STICK 19

EN1832 LINEAR 70LED 20

EN1955 LINEAR 122 LED 20

EN1830 LINEAR 120LED 21

EN1792 LINEAR 48LED 200LM/W 21

EN1792 LINEAR 48LED CRI>95 22

EN1792 LINEAR TW 22

EN1801 LINEAR STOCK&SHOP 23

EN2226 TW 23

FLEX STRIPS

HI-STRIP

EN1574 140 LED/MT 26

EN1430 140 LED/MT 26

EN1430 TW 27

EN1574 140 LED/MT 27

EN1757 210 LED/MT 28

EN1575 140 LED/MT 48V 28

EN1789 210 LED/MT 48V 29

EN1736 TW 48V 29

TOOLS

PROFILES

EXCALIBUR 32

ARTÙ 32

LANCILLOTTO 33

TRISTANO 33

LED SPOTS

SPOTLIGHTS

NANO ALLUSPOT	36
SPOT H3	36
SPOT H4	37
SPOT H11	37
SPOT H4	38
CORELED	39

SPECIALS

STREET LIGHTING

EN1380 STREET RECTANGULAR	43
EN1368 STREET SQUARE	43

RETAIL

EN1574 140 LED/MT CRISP	45
--------------------------------	----

Le informazioni contenute nel presente catalogo sono indicative e potrebbero subire variazioni. Per le specifiche tecniche, fare riferimento al Datasheet del prodotto.

The information contained in this catalogue are approximate and may vary. For technical specifications, refer to the product Datasheet.

