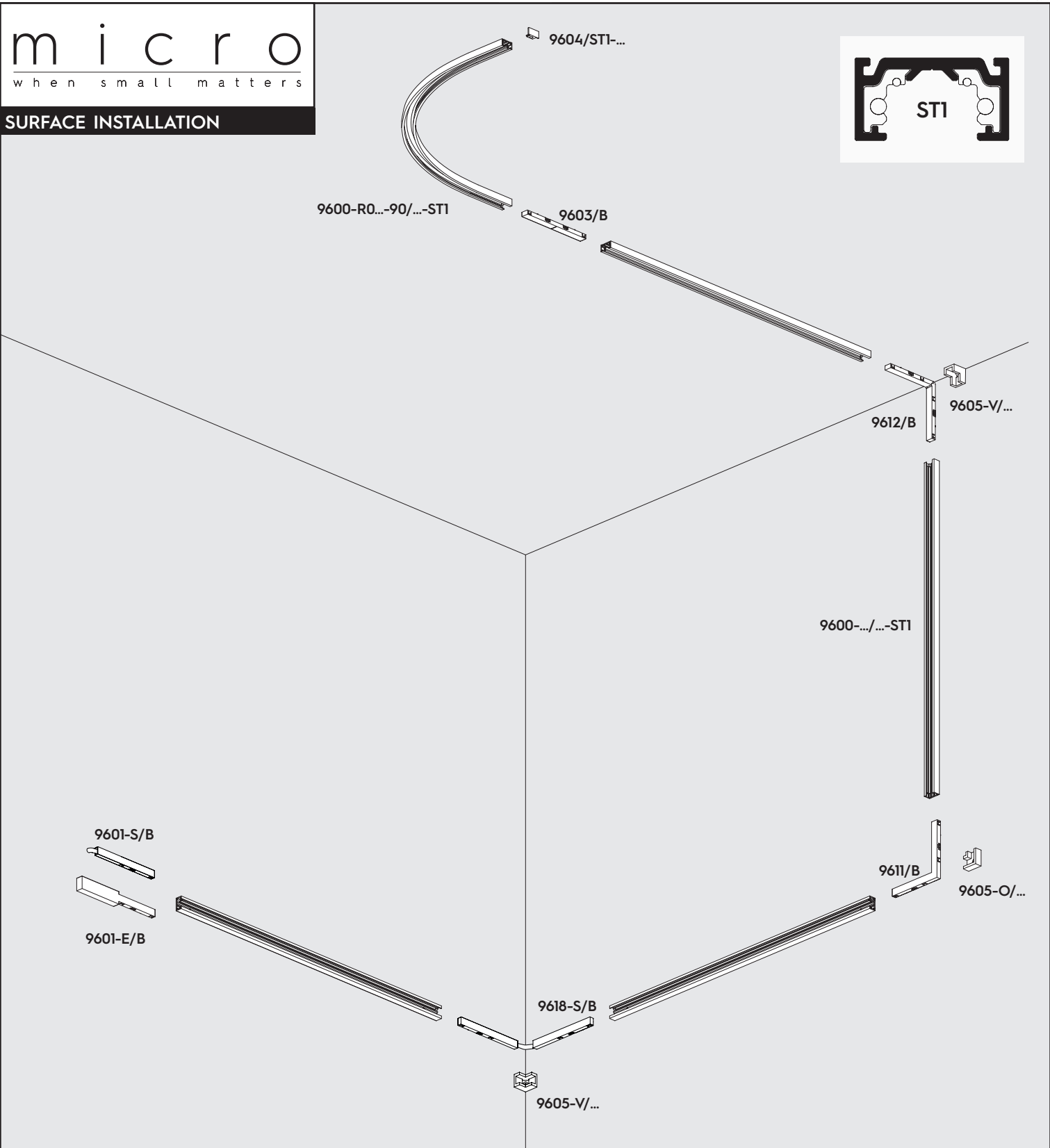
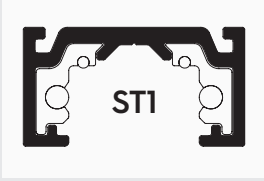


micro
when small matters

SURFACE INSTALLATION



1 - 9600-.../...-ST1

10.2 [0.40"] +
11.2 [0.44"]
19 [0.75"]
Data BUS
60V dc
x3/m

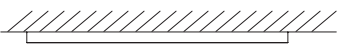
CODE	L mm [ft]
9600-1/...-ST1	1000 [3.28']
9600-2/...-ST1	2000 [6.56']
9600-3/...-ST1	3000 [9.84']

9600-R05-90/...-ST1 **9600-R03-90/...-ST1**

65 [2.56"]
32.5 [1.28"]
574.5 [22.6']
374.5 [14.7']
90°
45°
x3

2 - USE

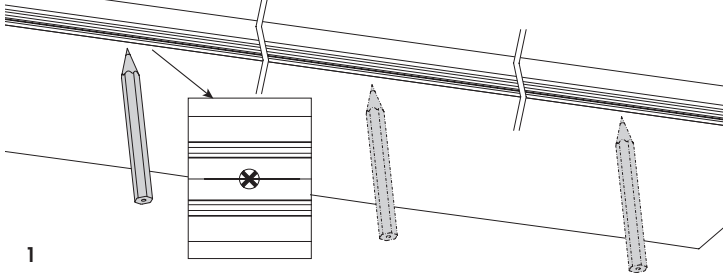
Ceiling



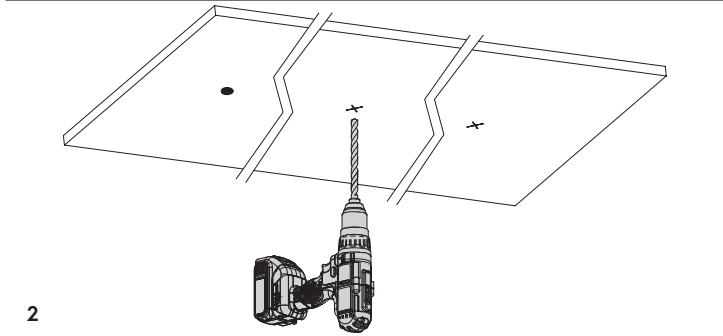
Wall



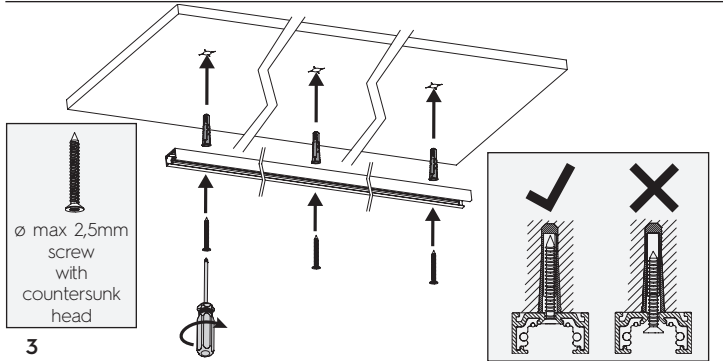
3 - CEILING FIXING



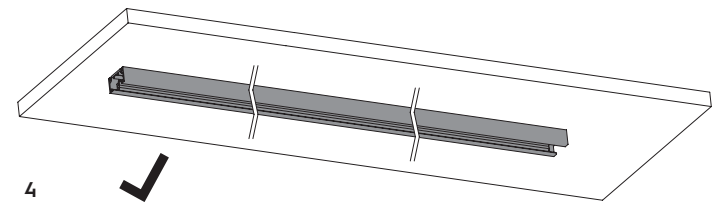
1



2

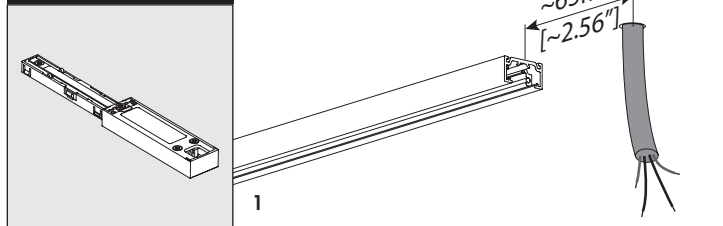


3

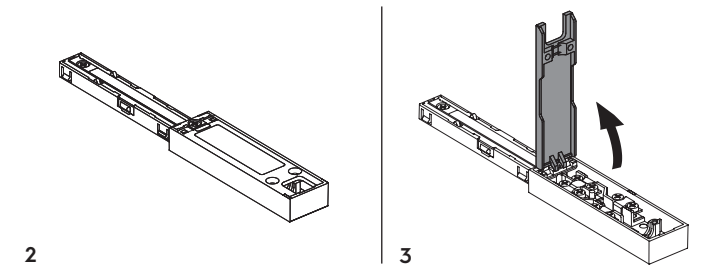


4

4 - 9601-E/B

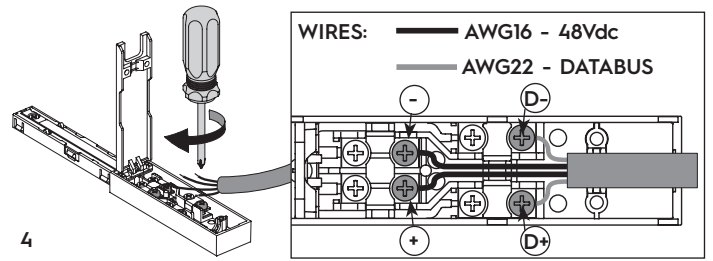


1

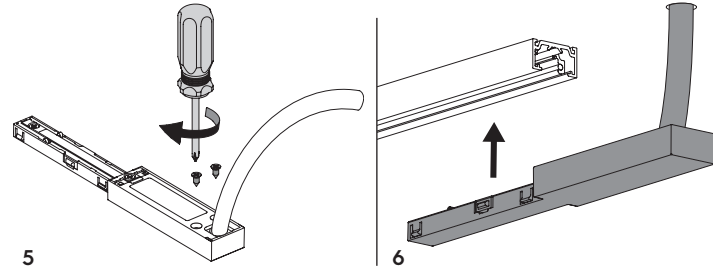


2

3

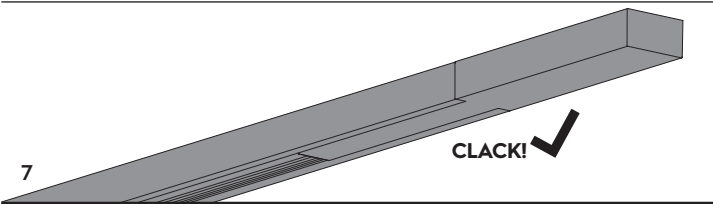


4



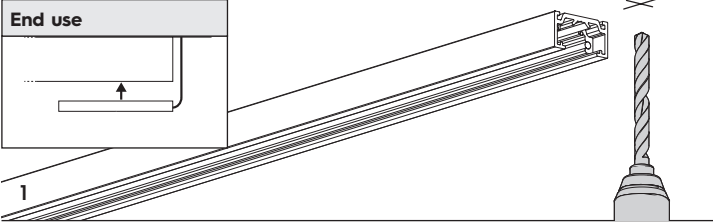
5

6

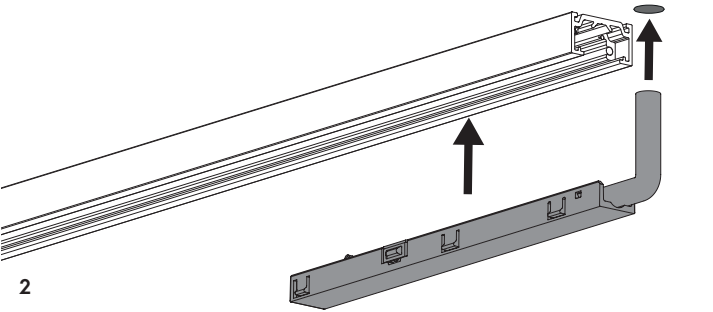


7

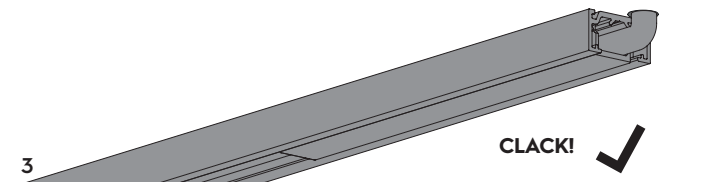
5 - 9601-S/B



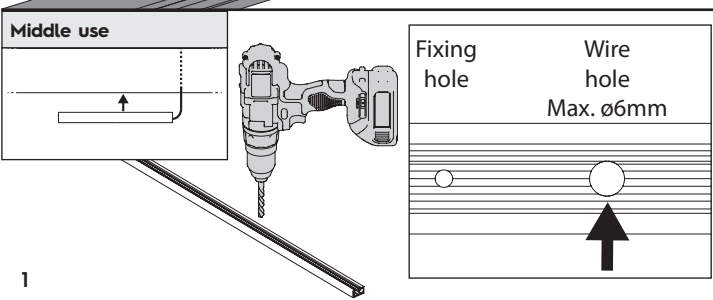
1



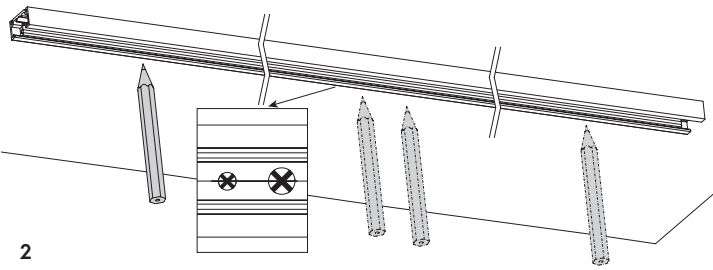
2



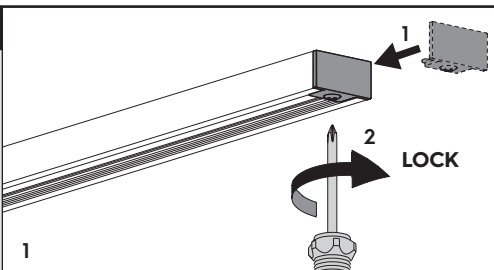
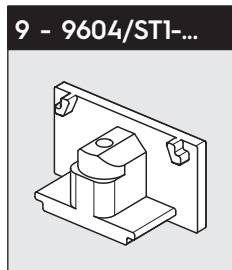
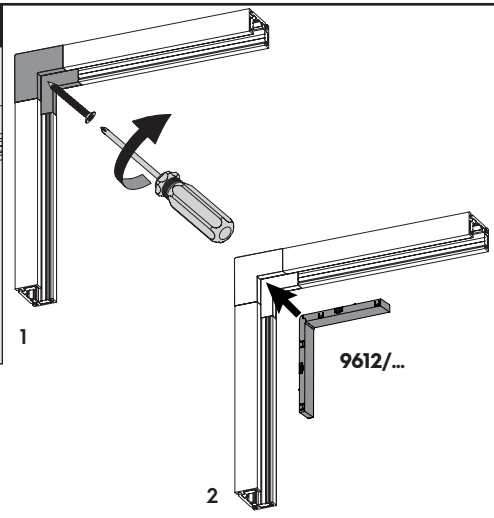
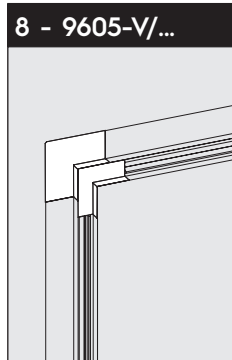
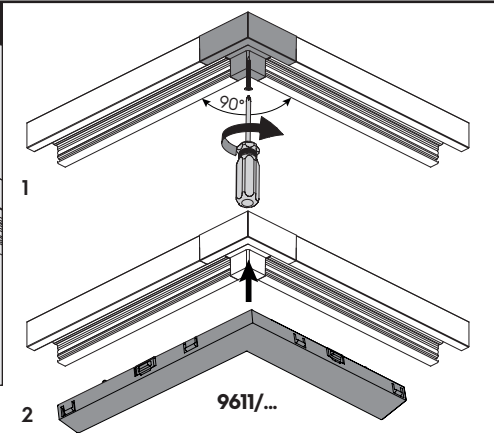
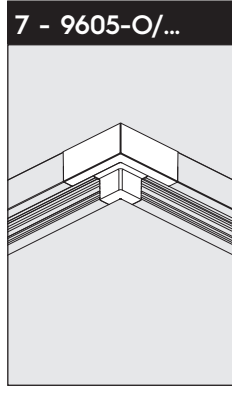
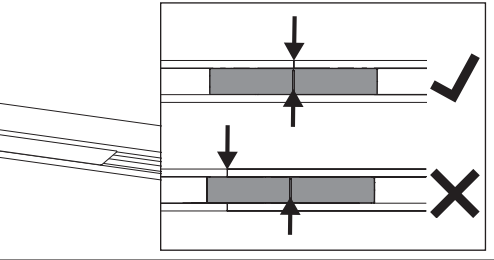
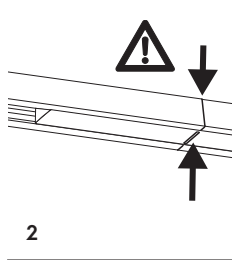
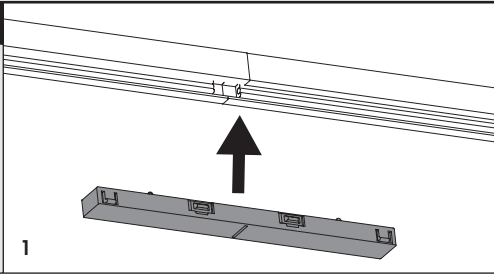
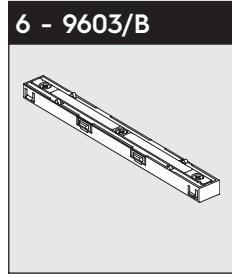
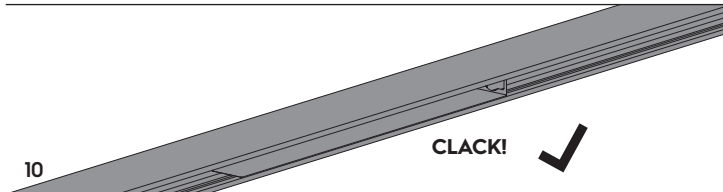
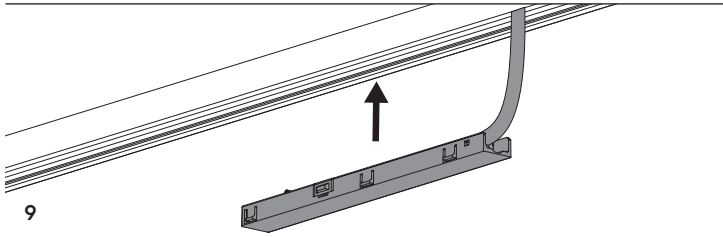
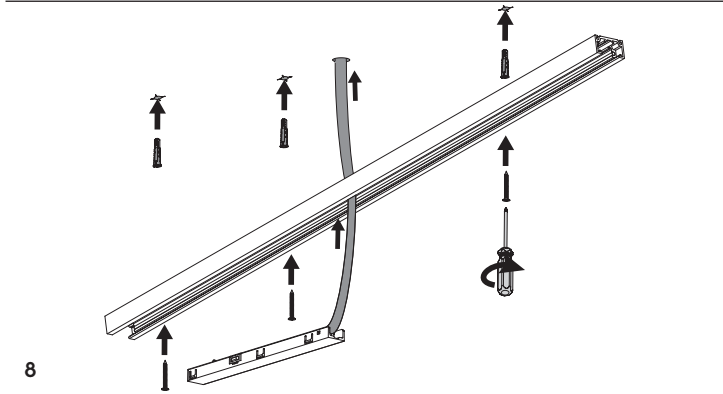
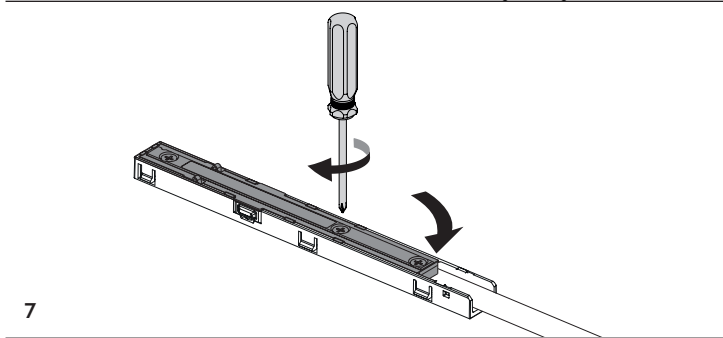
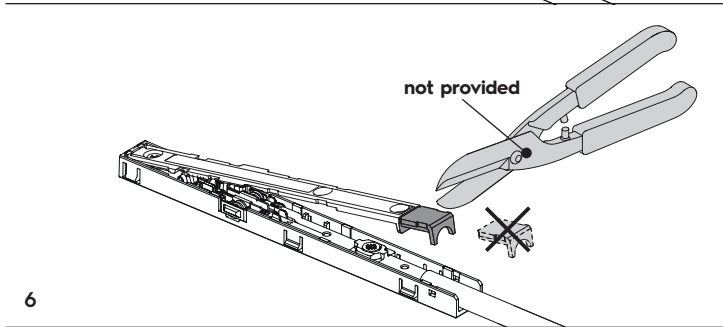
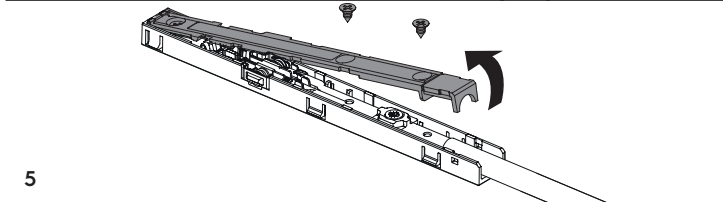
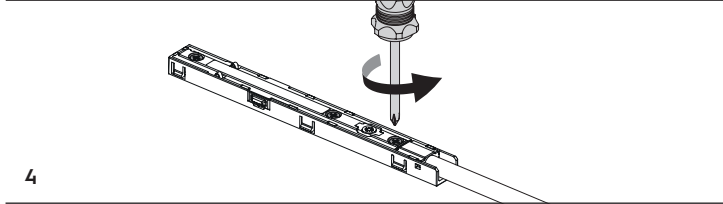
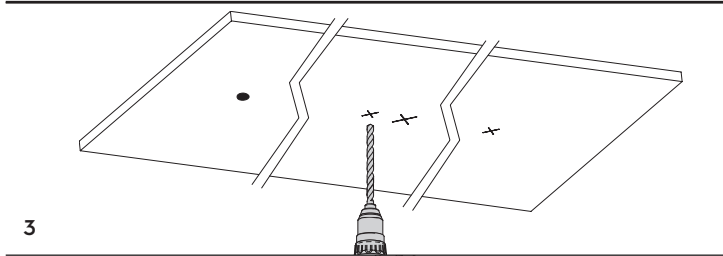
3



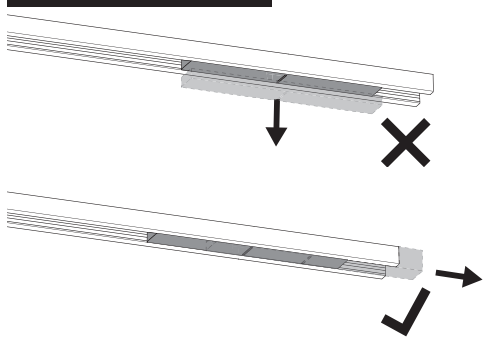
1



2



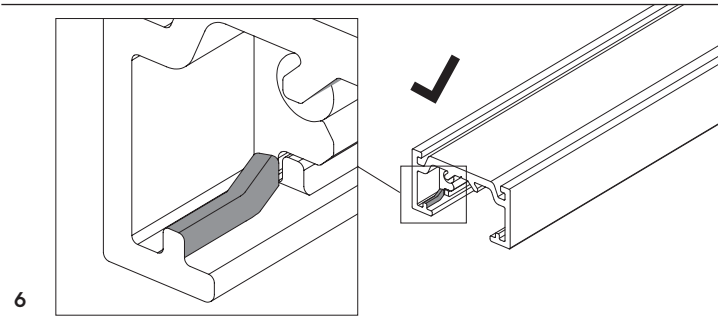
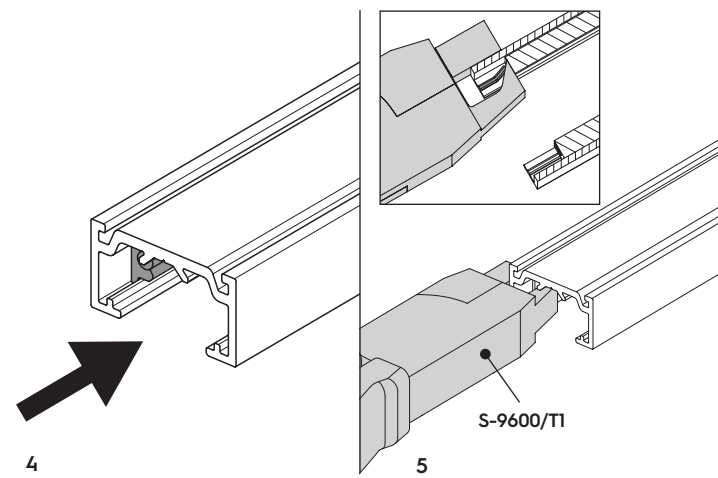
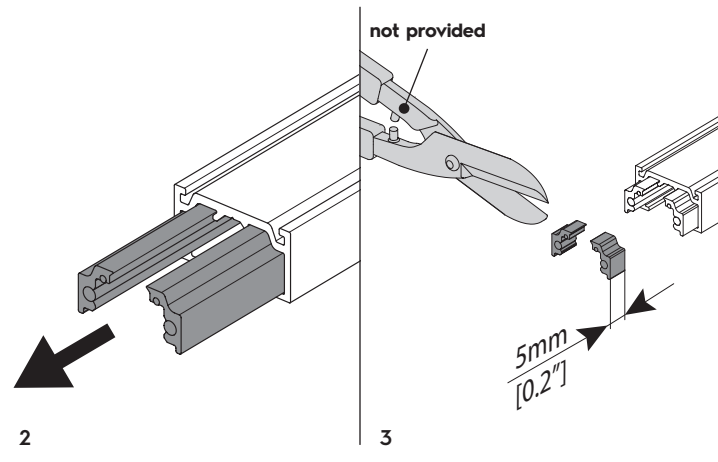
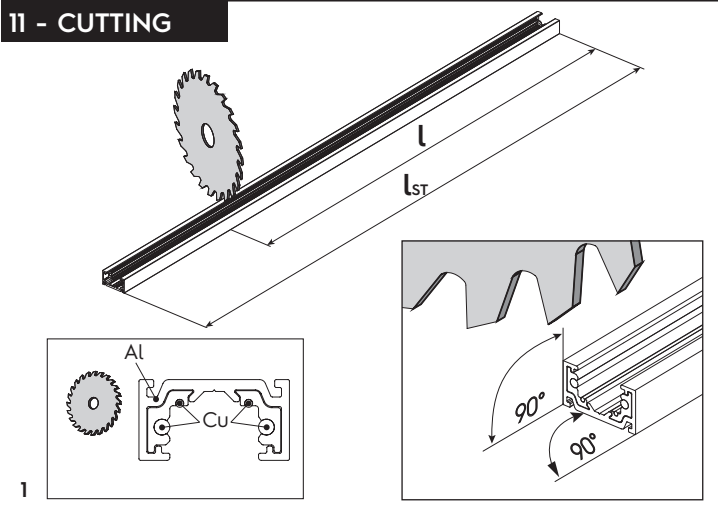
10 - WARNING




FOR ALL CONNECTIONS AND END-FEEDS

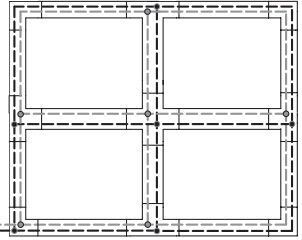
VALID FOR ALL MICRO TRACK SERIES

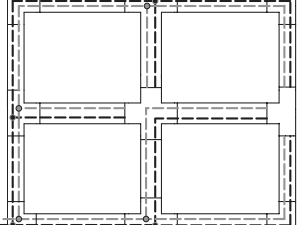
11 - CUTTING




PLEASE ENSURE THAT THE DATA BUS WIRING DOES NOT CREATE A RING STRUCTURE. A FAILURE-FREE DATA BUS CANNOT BE ENSURED IF ONE IS PRESENT.

IF THE TRACK INSTALLATION REQUIRES THE USE OF "L", "T" OR "X" -SHAPED JOINT, IT IS POSSIBLE TO DISCONNECT THE DATA BUS IN THESE JOINTS TO AVOID CREATING A RING STRUCTURES.





- - - Bus Data