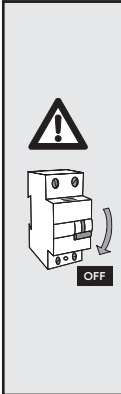
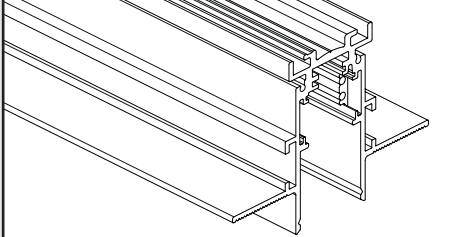


ST5

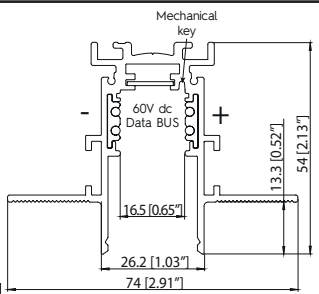
MULTISYSTEM



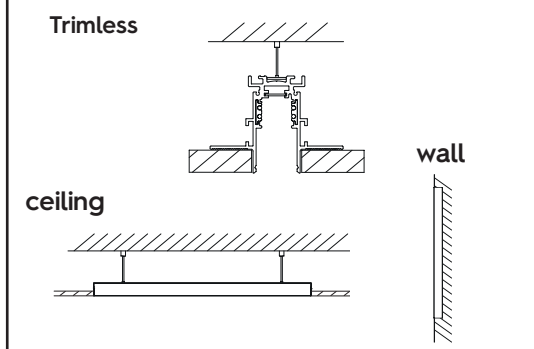
1 - 9500.../...ST5



CODE	L mm [ft]
9500-1/...ST5	1000 [3.28]
9500-2/...ST5	2000 [3.28]
9500-3/...ST5	3000 [3.28]

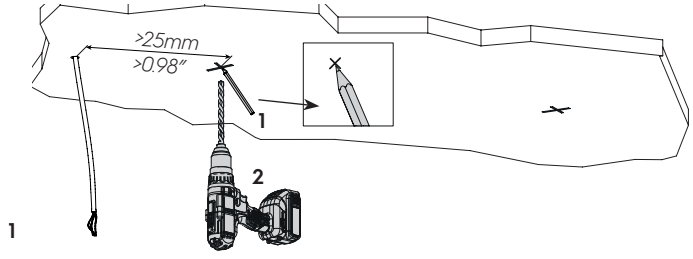


2 - USE

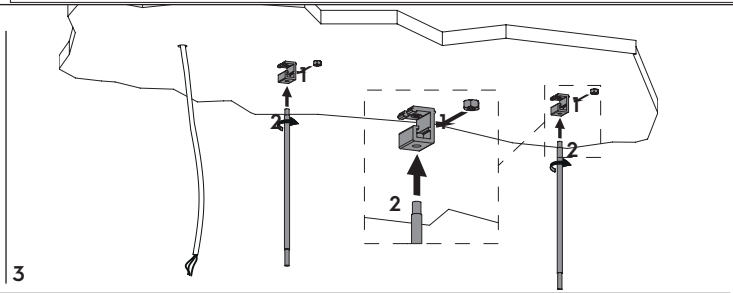
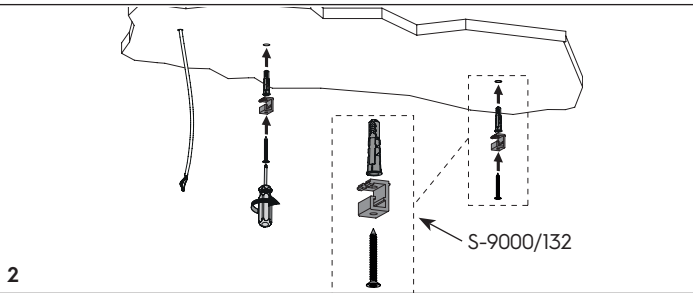
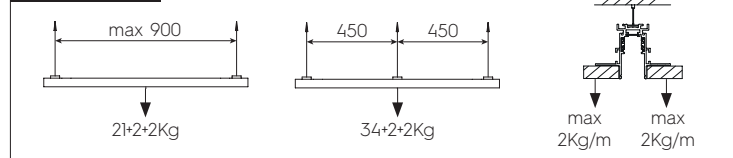


3 - TRIMLESS FIXING

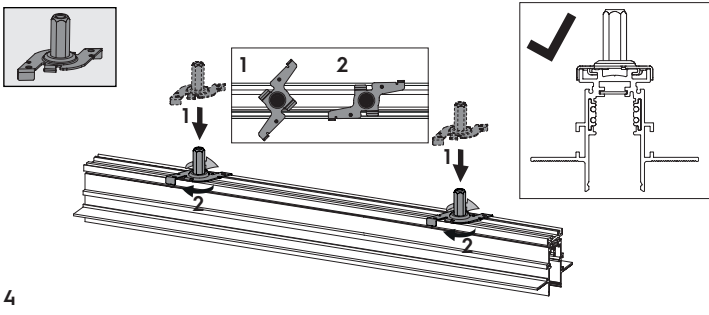
>250	500	500
[>0.82']	[1.64']	[1.64']



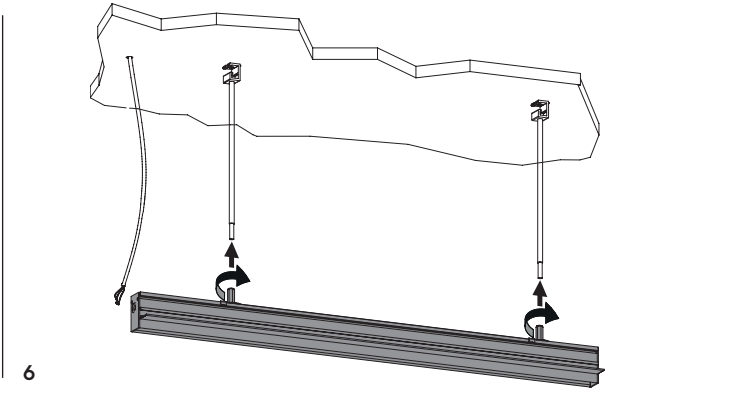
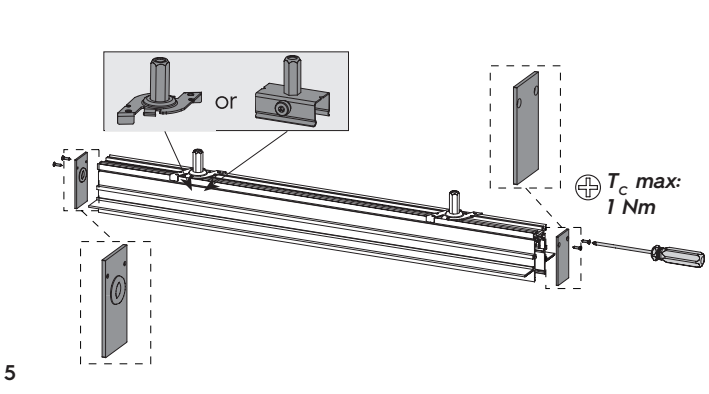
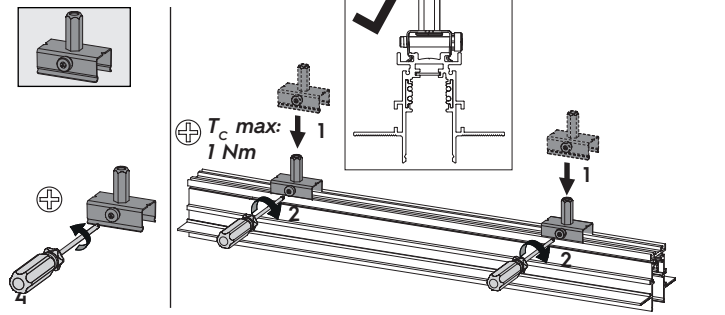
MAX LOAD

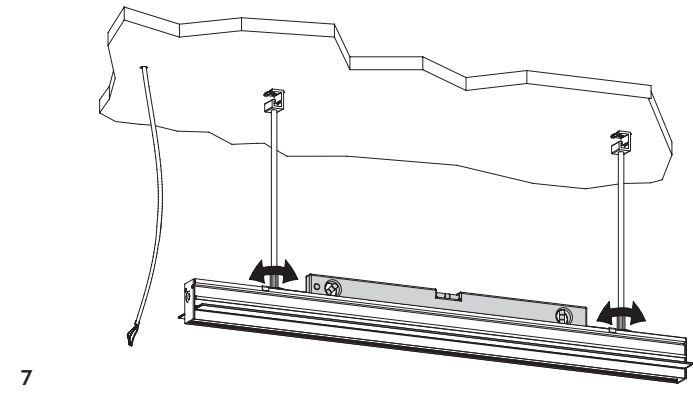


3a with S-9000/118...

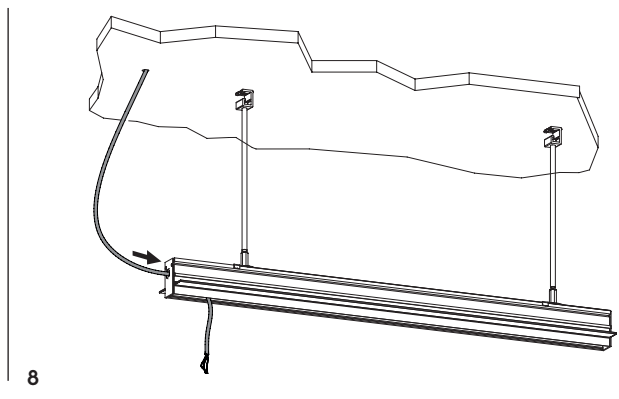


3b with S-9000-P2/117

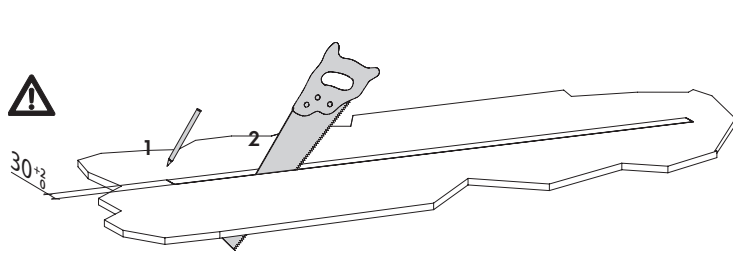




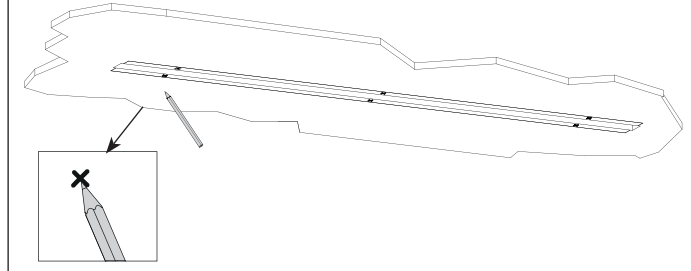
7



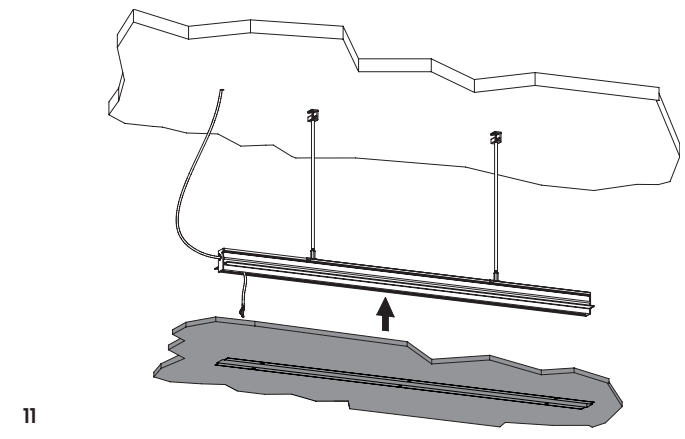
8



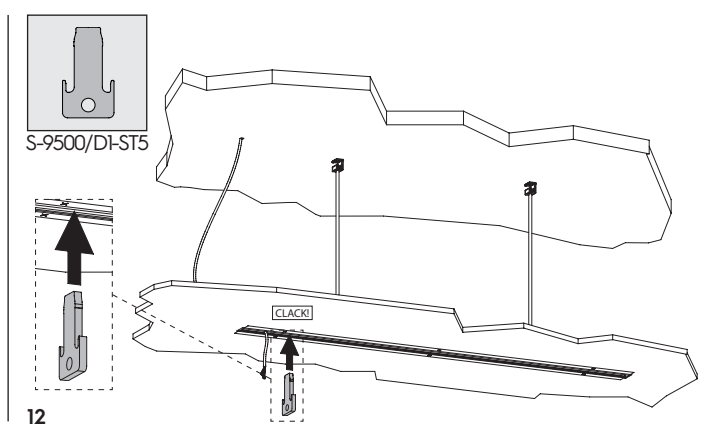
9



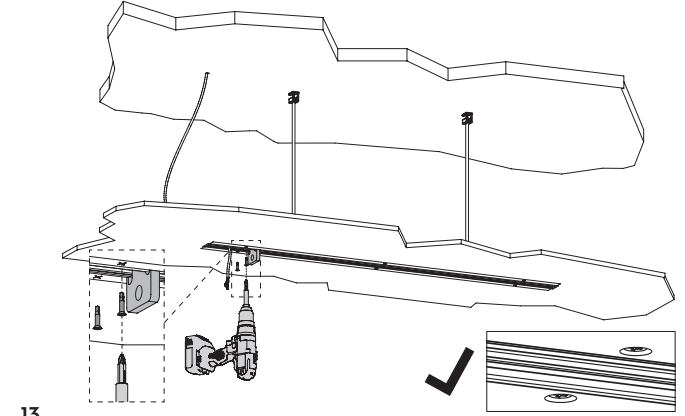
10



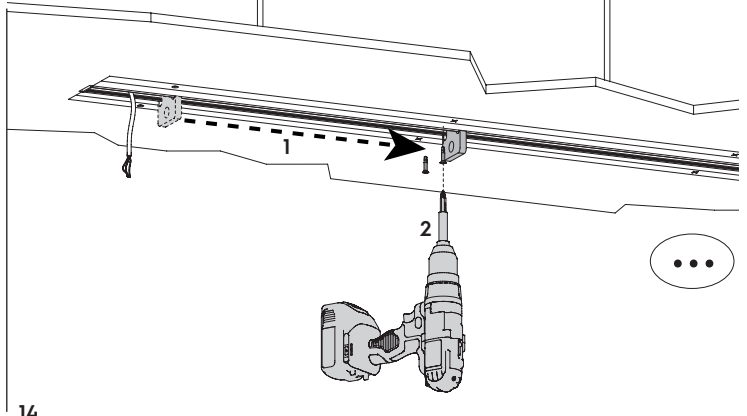
11



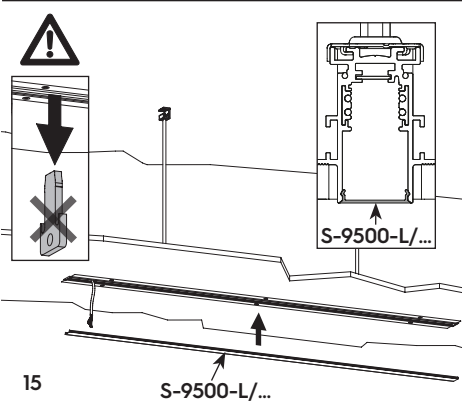
12



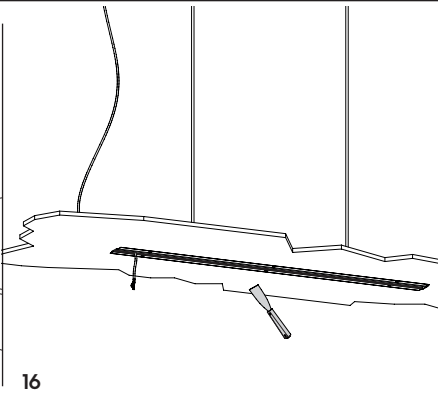
13



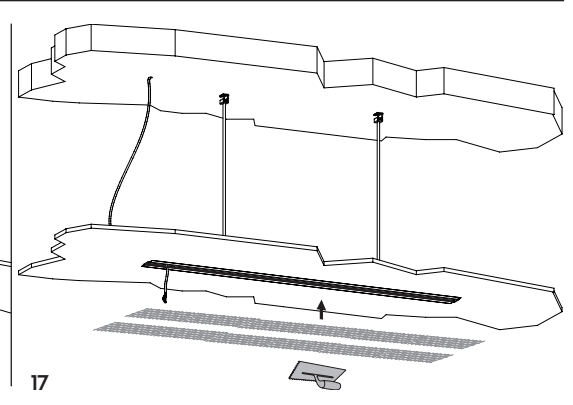
14



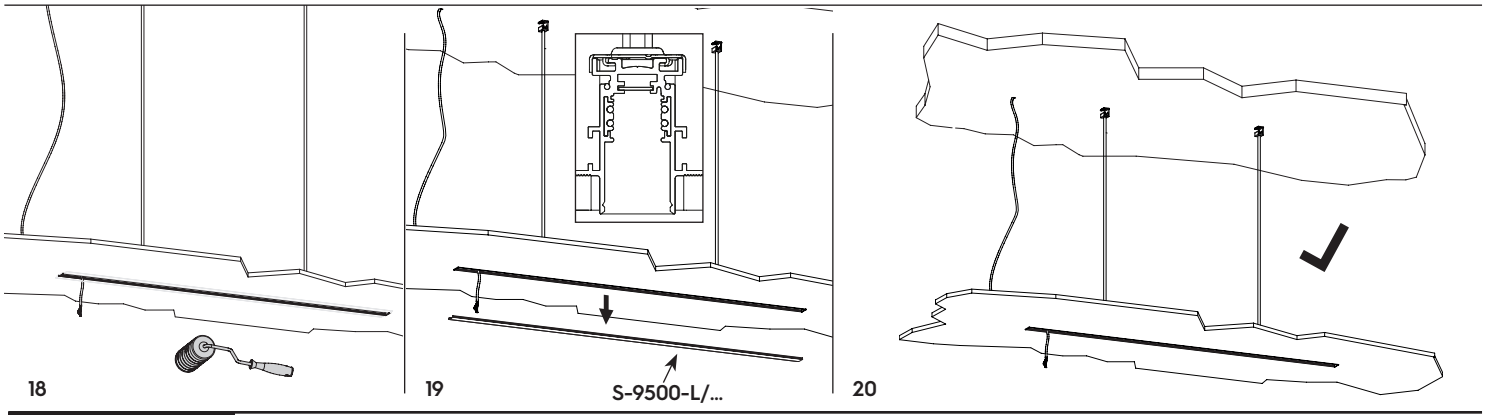
15



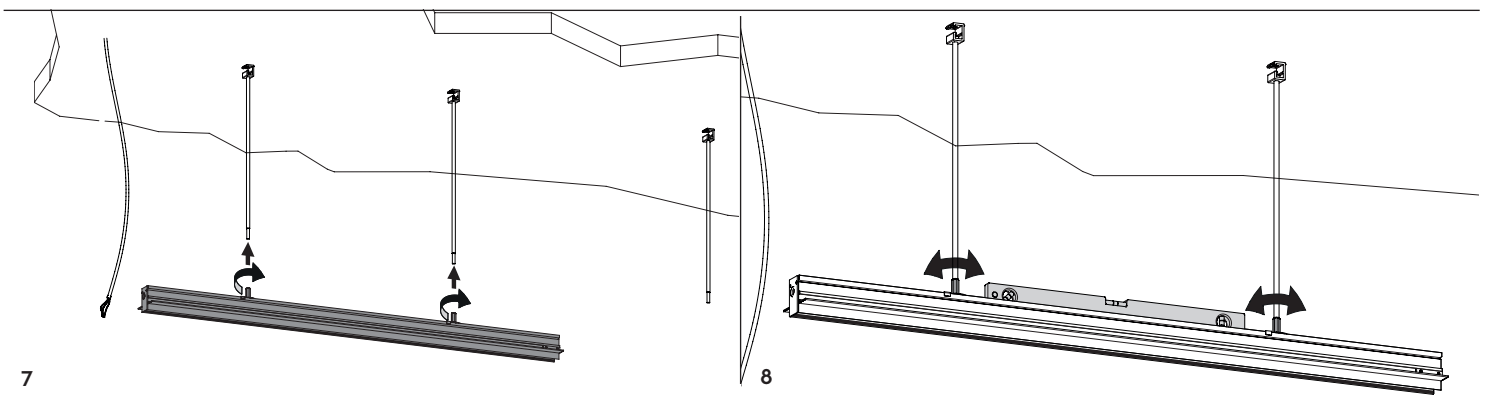
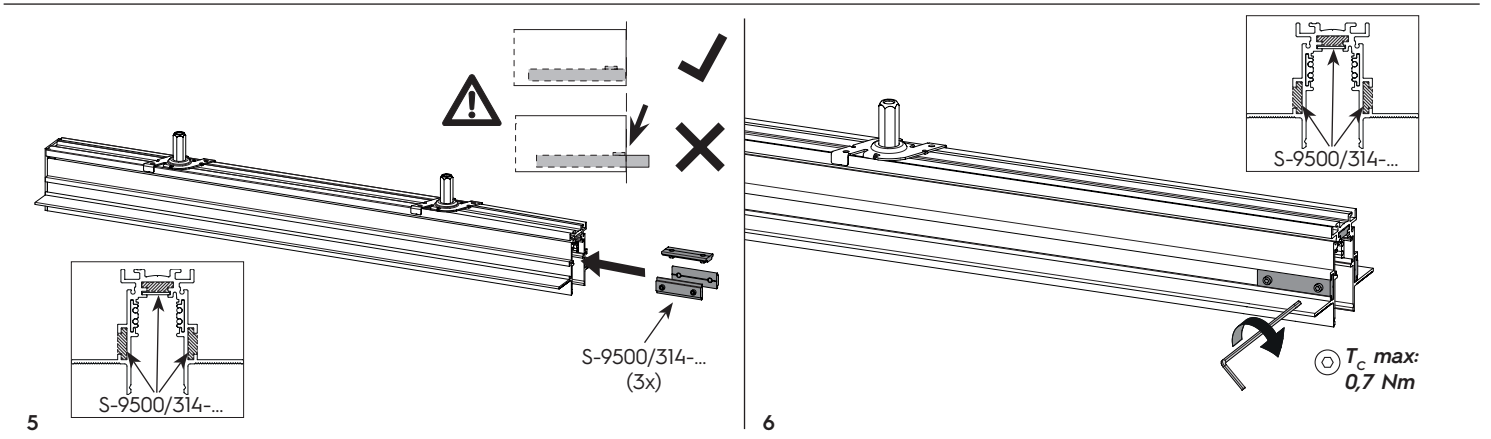
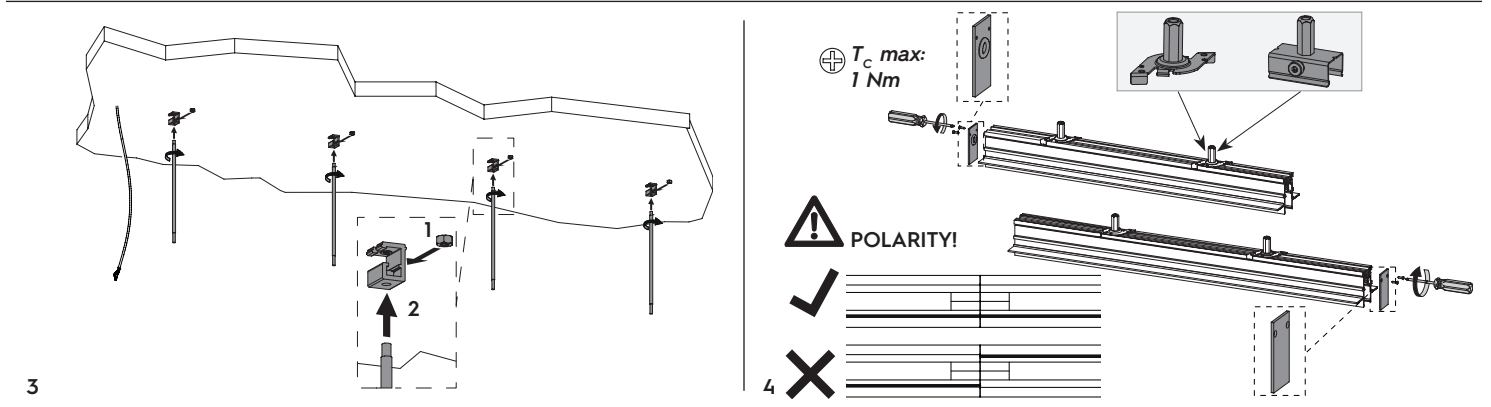
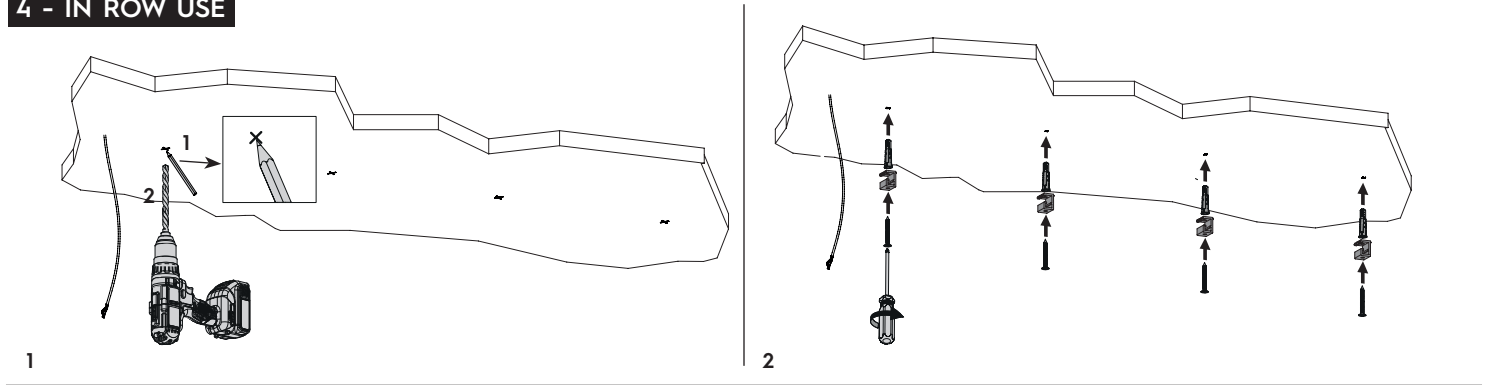
16

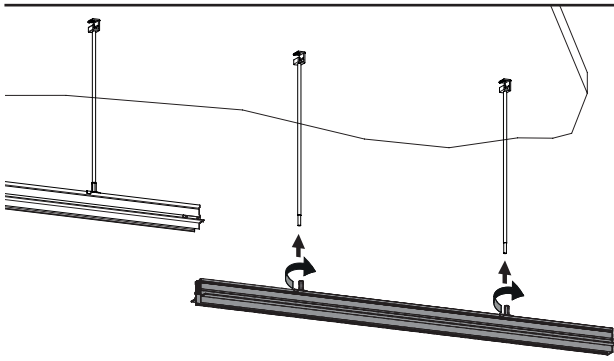


17

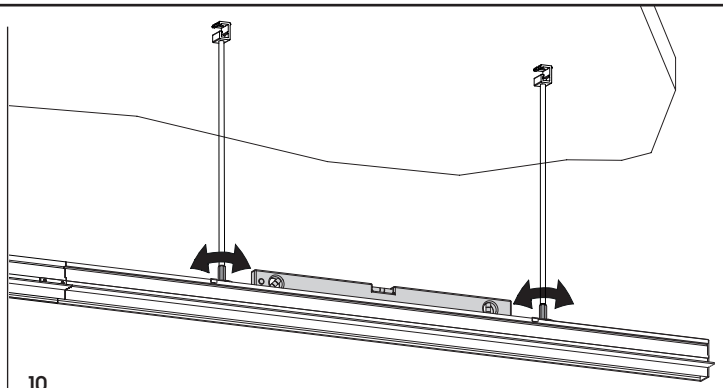


4 - IN ROW USE

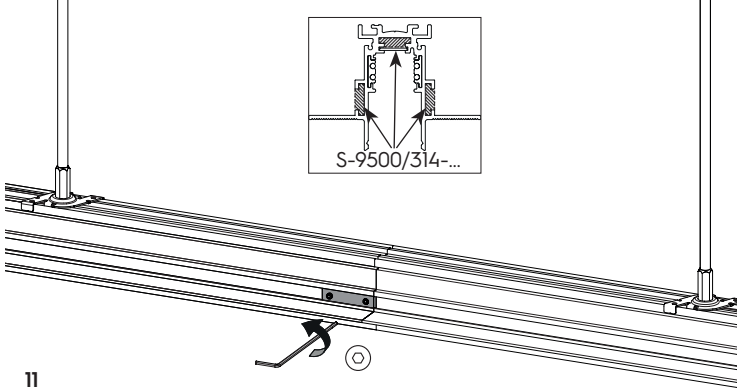




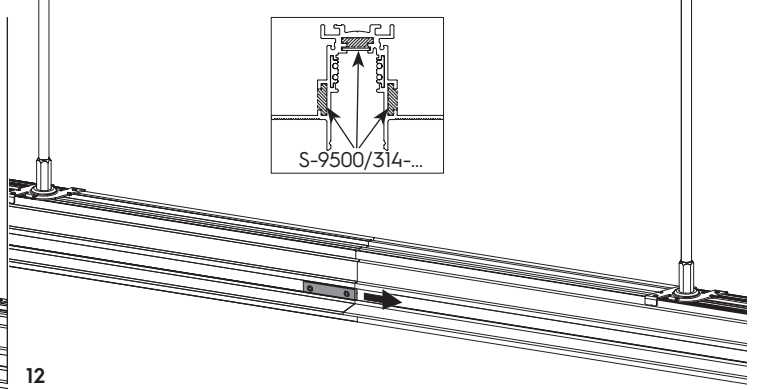
9



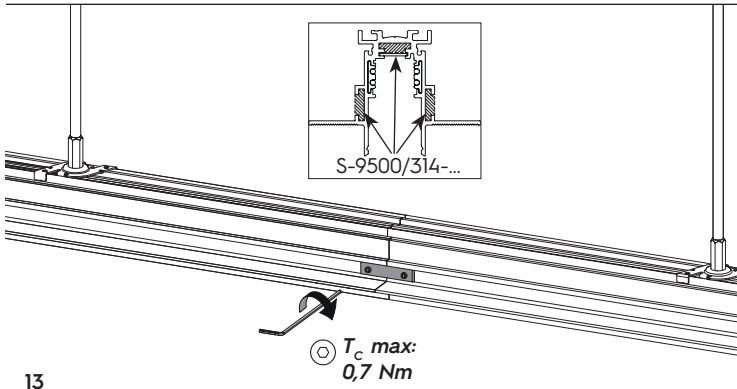
10



11

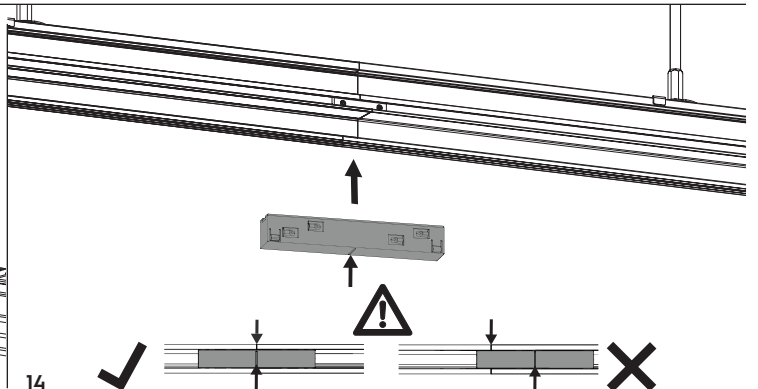


12

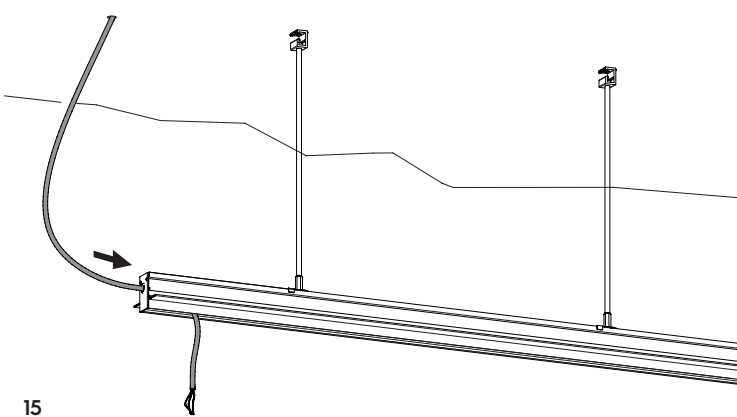


13

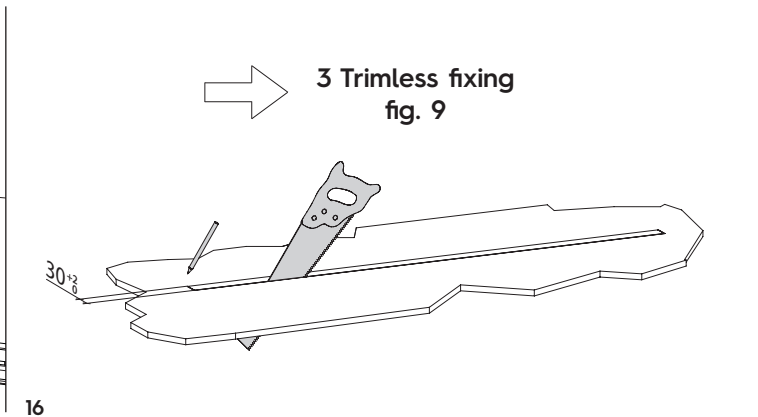
$T_c \text{ max:}$
 $0,7 \text{ Nm}$



14

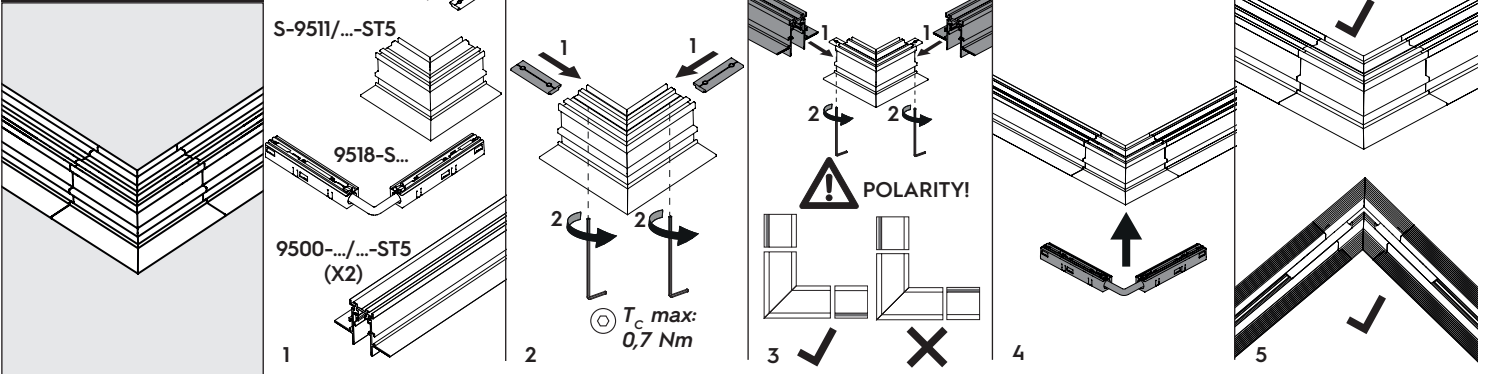


15

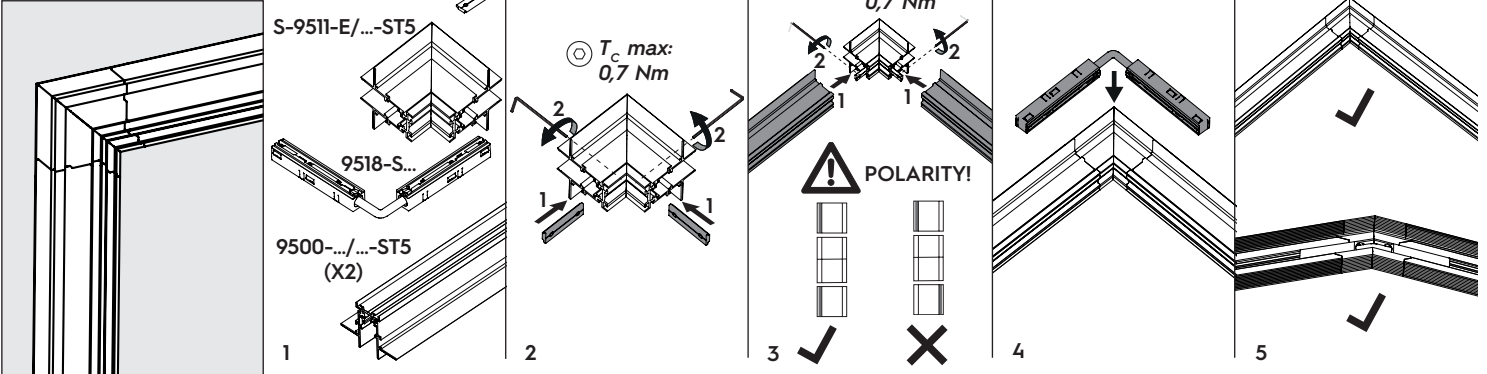


16

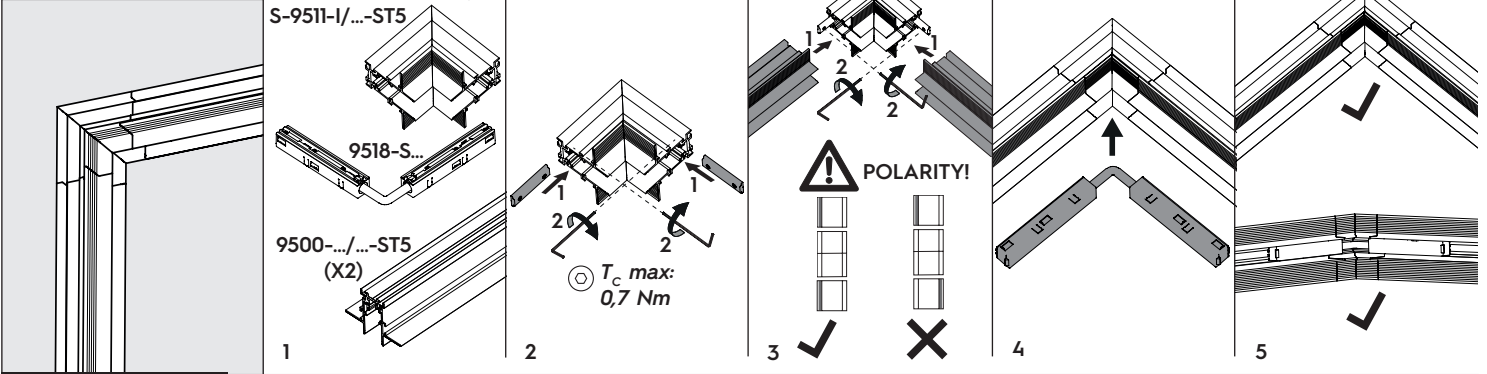
5 - S-9511/...-ST5



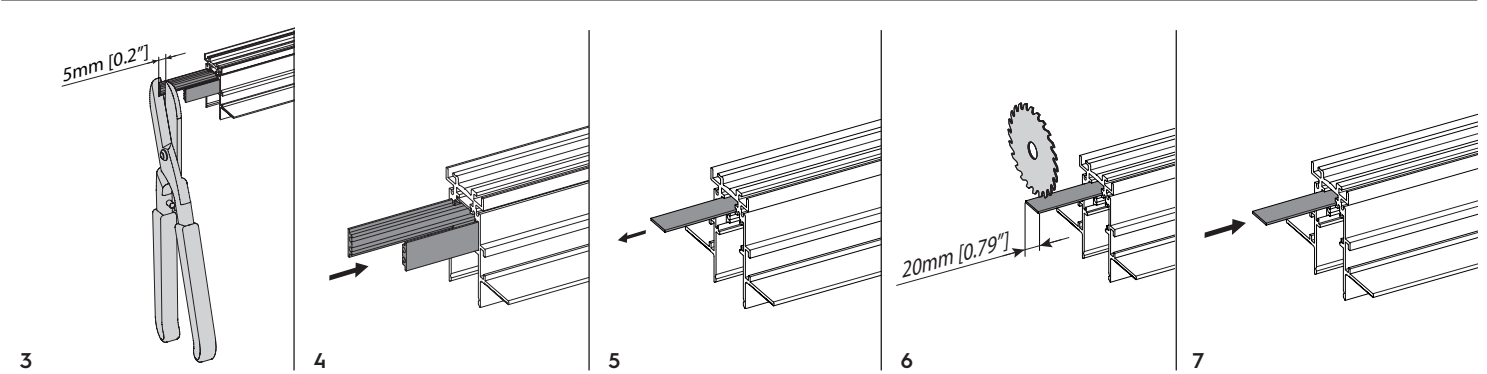
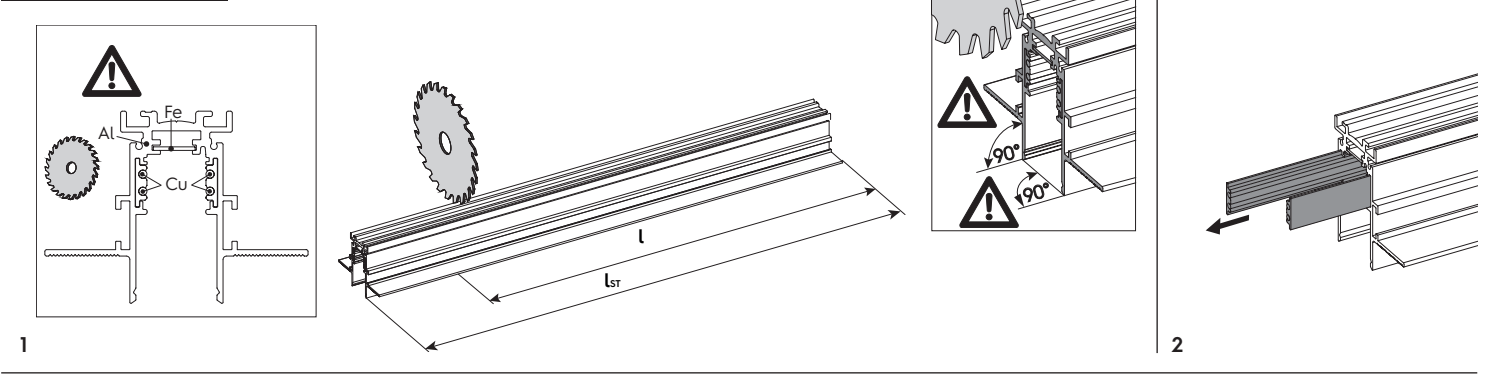
6 - S-9511-E/...-ST5



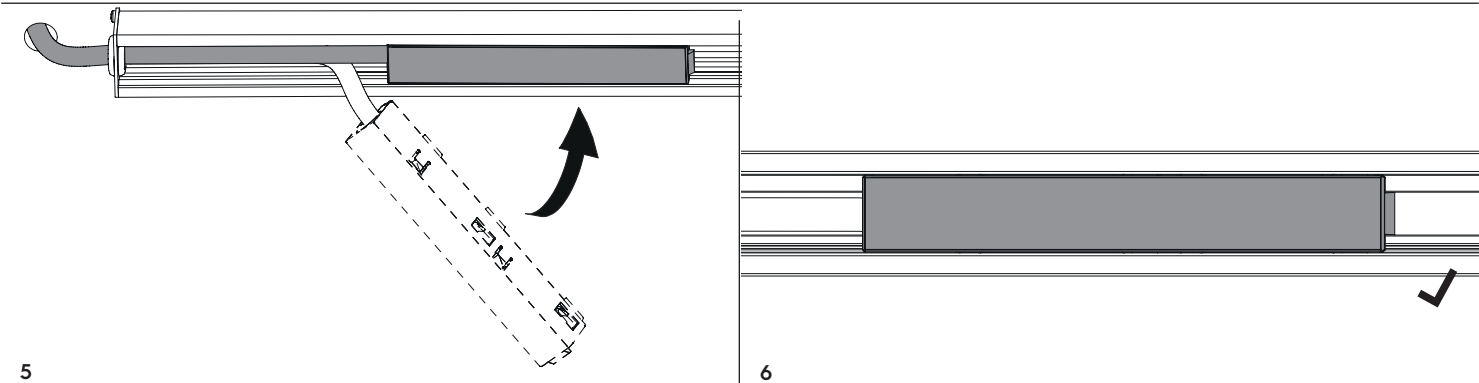
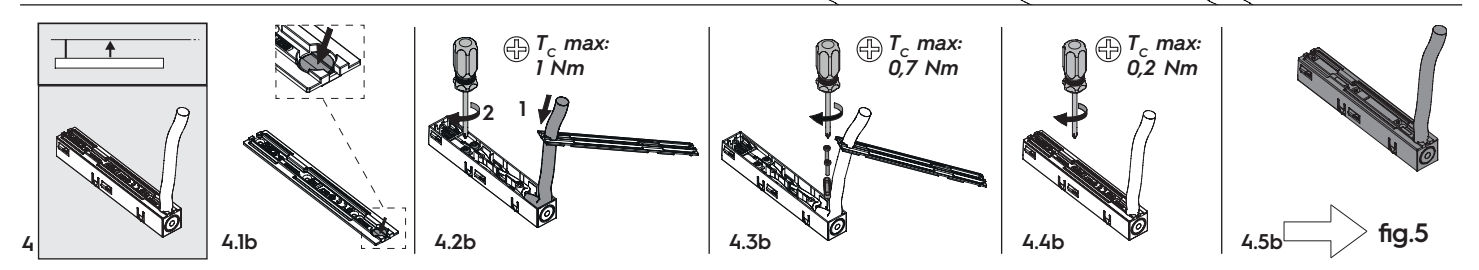
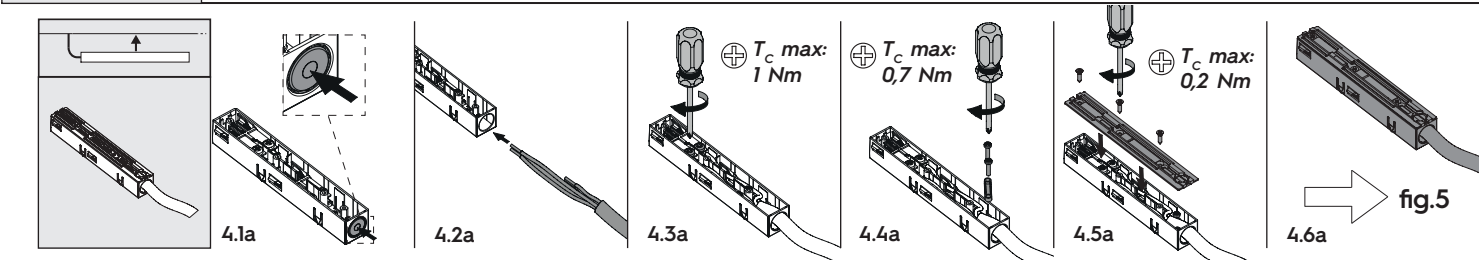
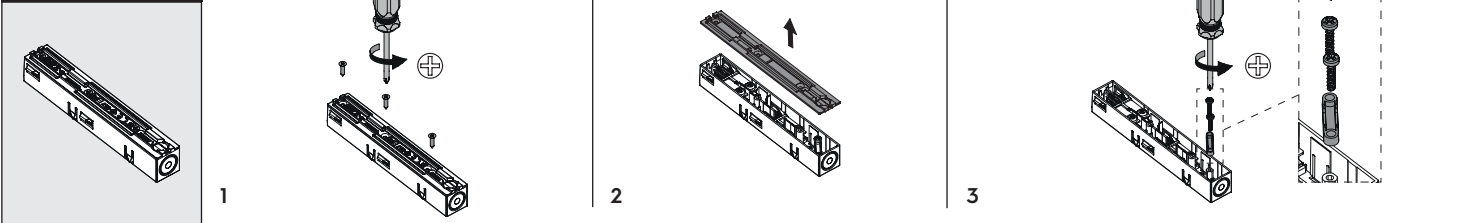
7 - S-9511-I/...-ST5



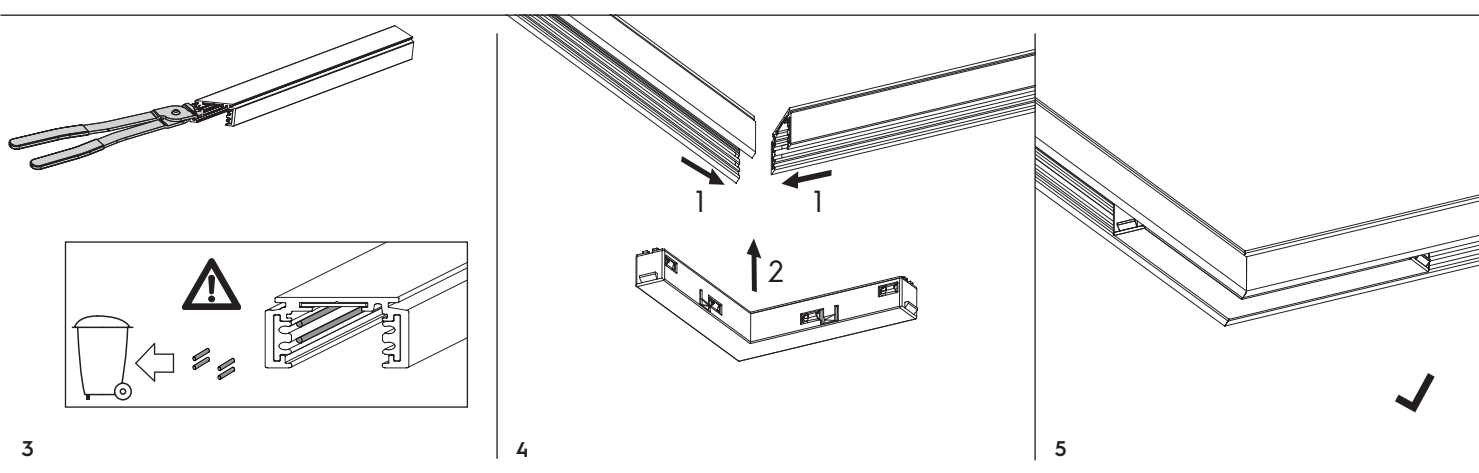
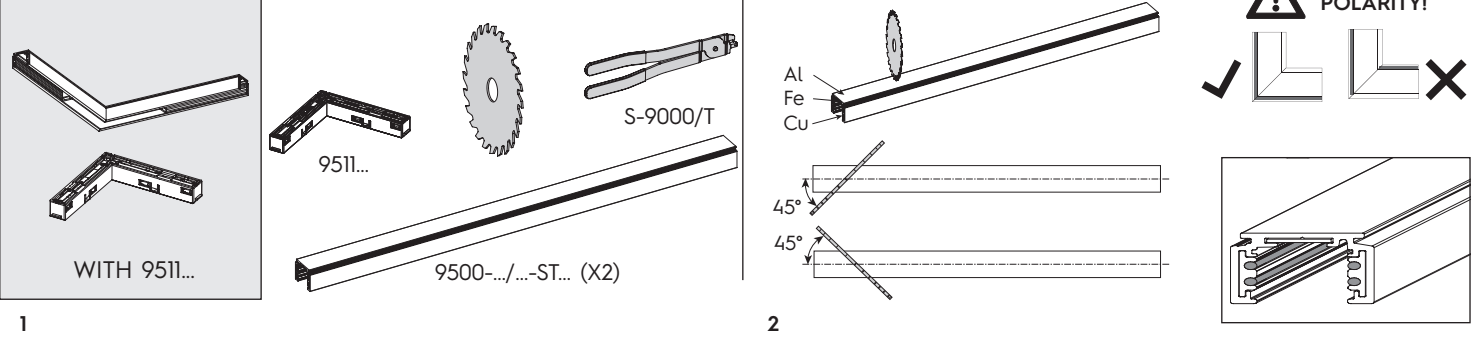
8 - CUTTING



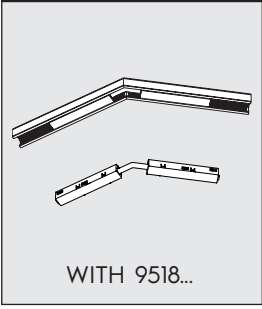
9 - 9501-S/...-E



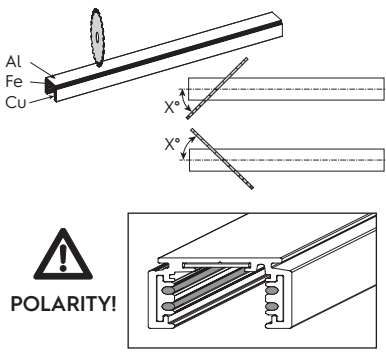
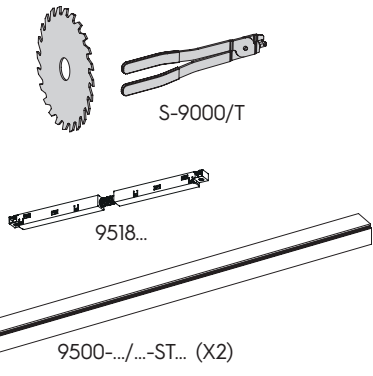
10 - 90° ANGLE



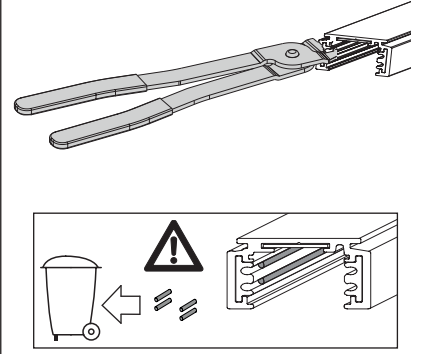
11 - ≈ 90° ANGLE



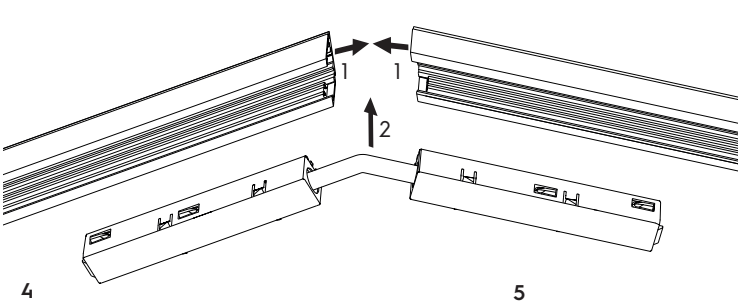
1



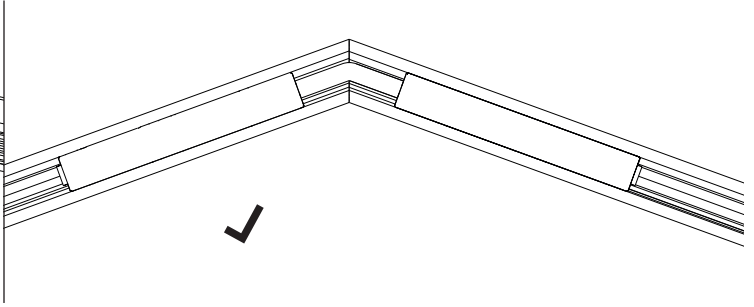
2



3



4

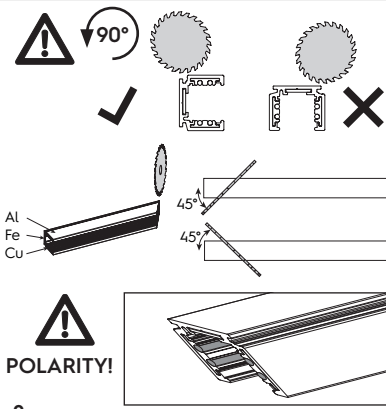
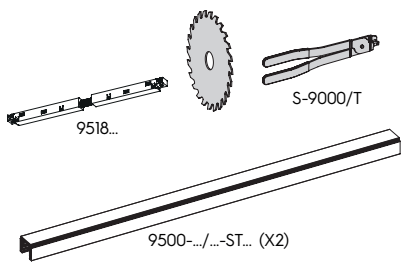


5

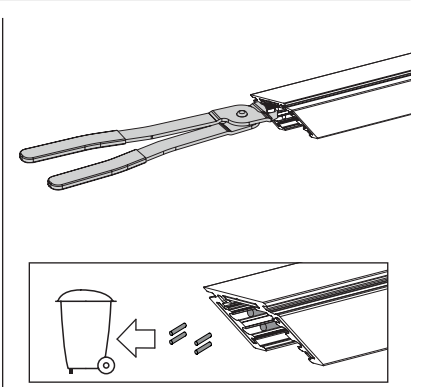
12 - WALL CEILING 90° ANGLE



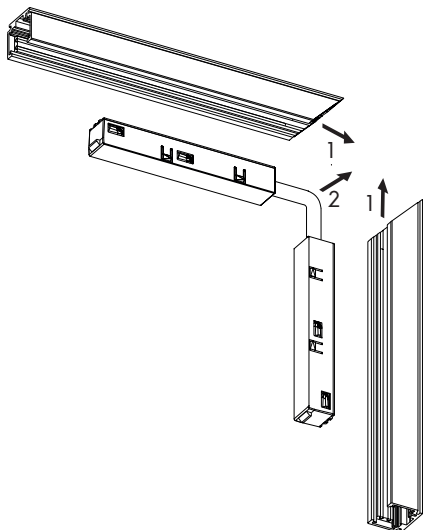
1



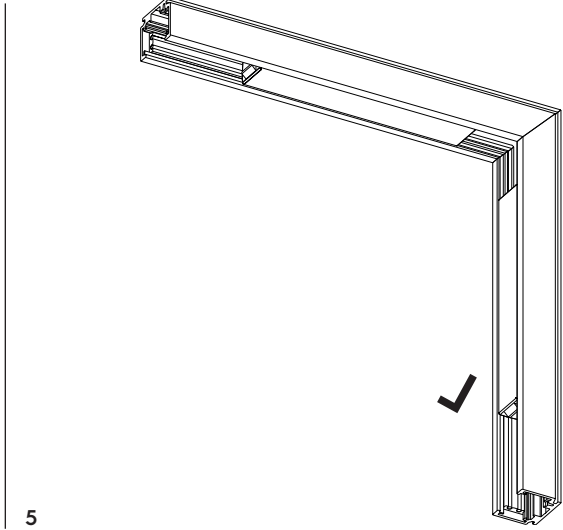
2



3



4



5