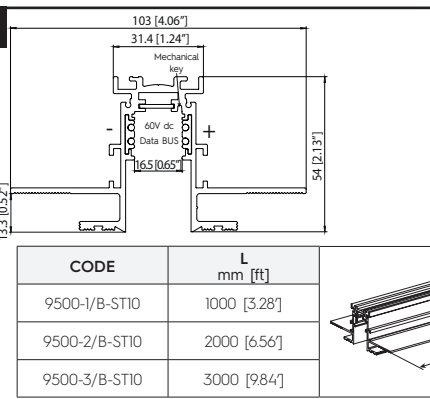
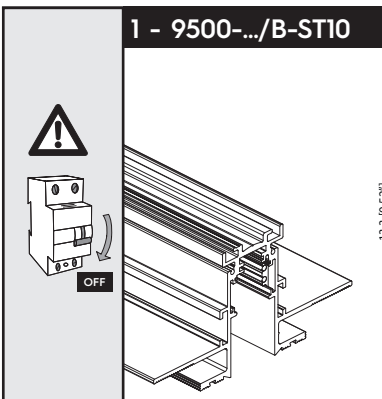
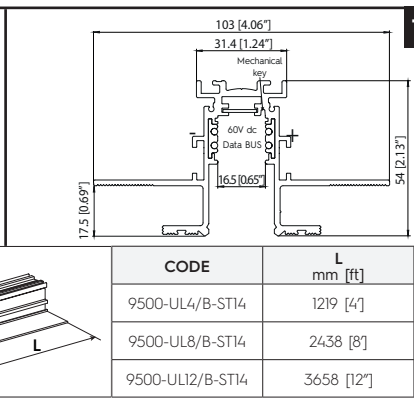


**ST10**  
**ST14**

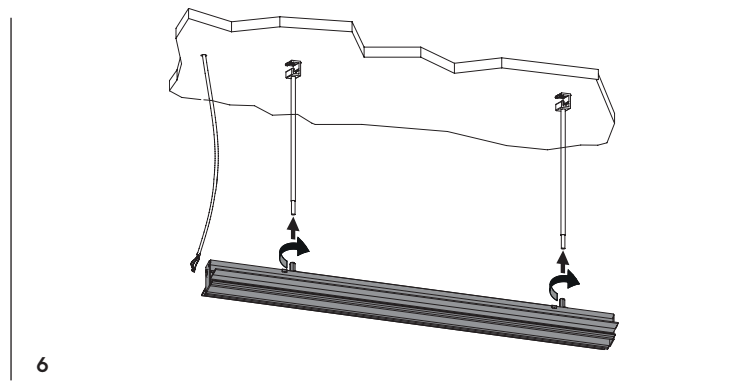
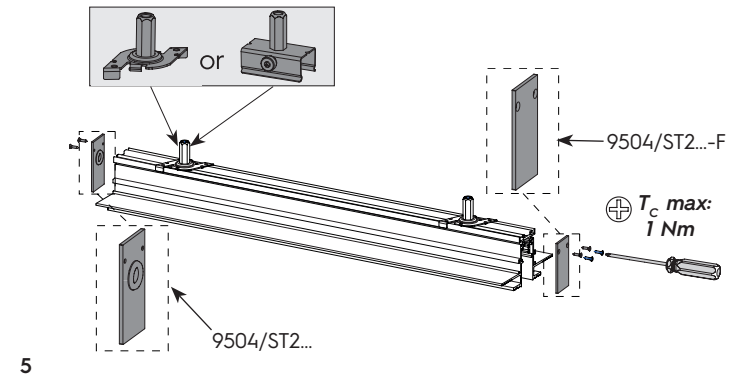
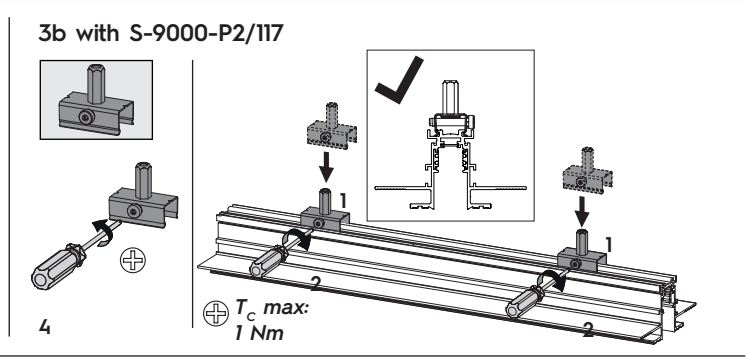
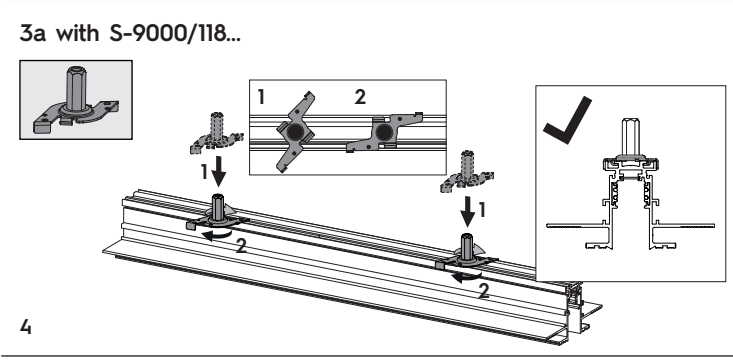
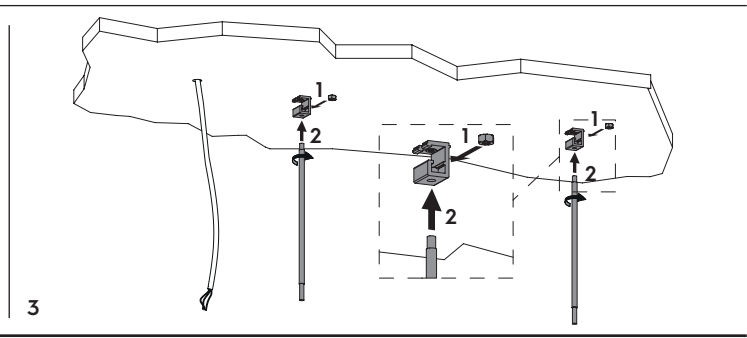
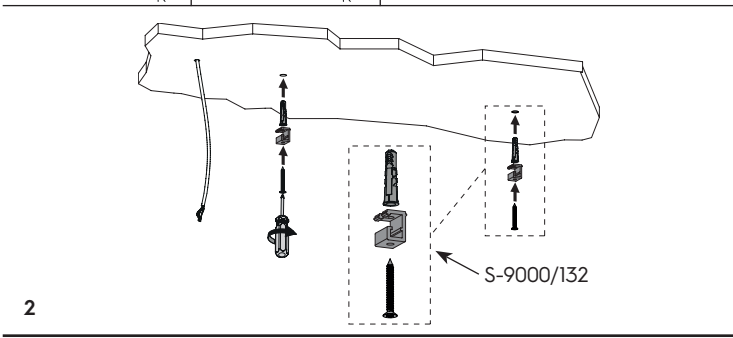
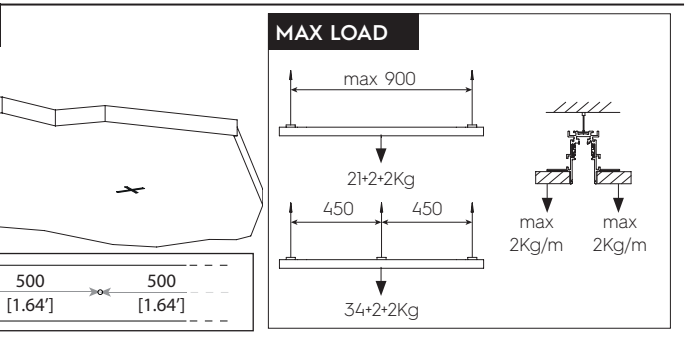
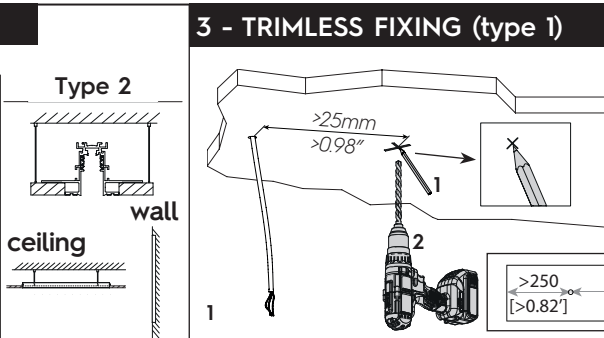
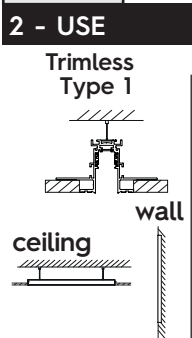
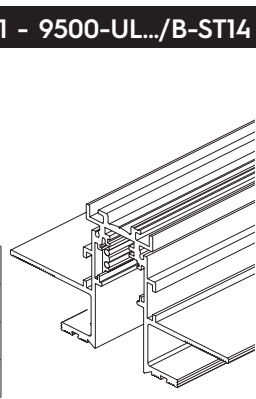
# MULTISYSTEM

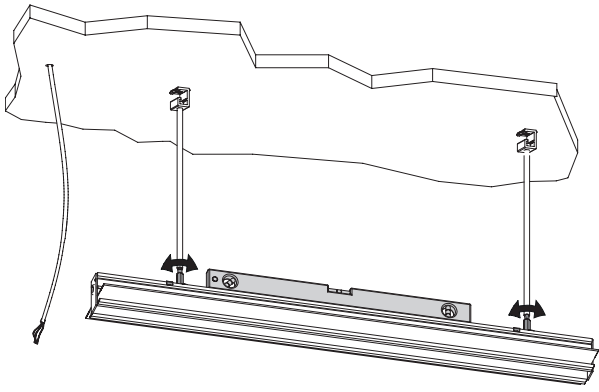


CODE	L mm [ft]
9500-1/B-ST10	1000 [3.28']
9500-2/B-ST10	2000 [6.56']
9500-3/B-ST10	3000 [9.84']

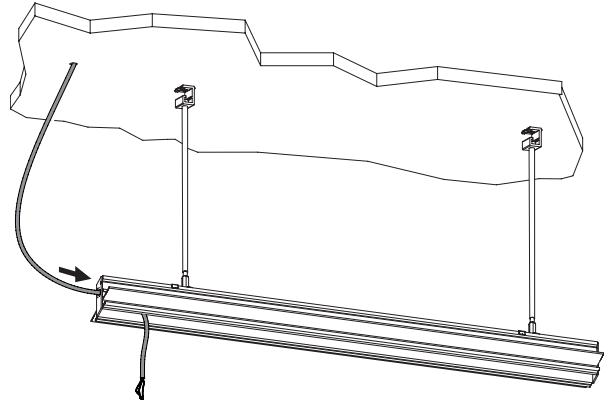


CODE	L mm [ft]
9500-UL4/B-ST14	1219 [4']
9500-UL8/B-ST14	2438 [8']
9500-UL12/B-ST14	3658 [12']

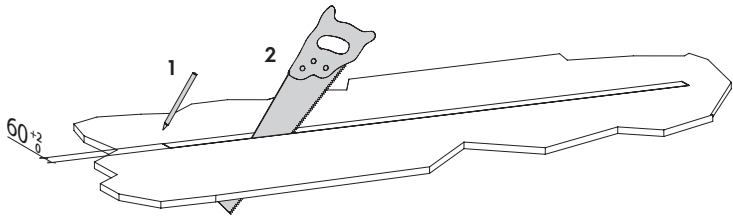




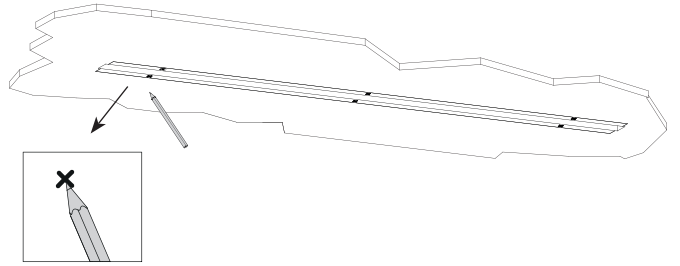
7



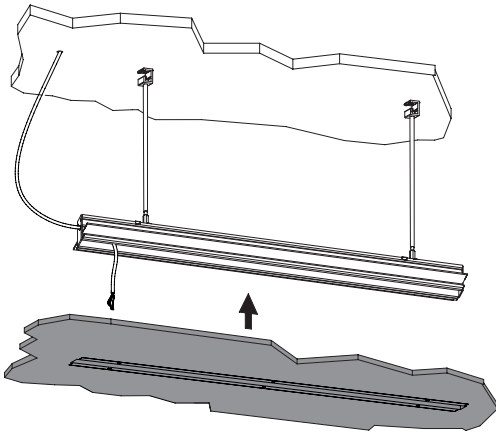
8



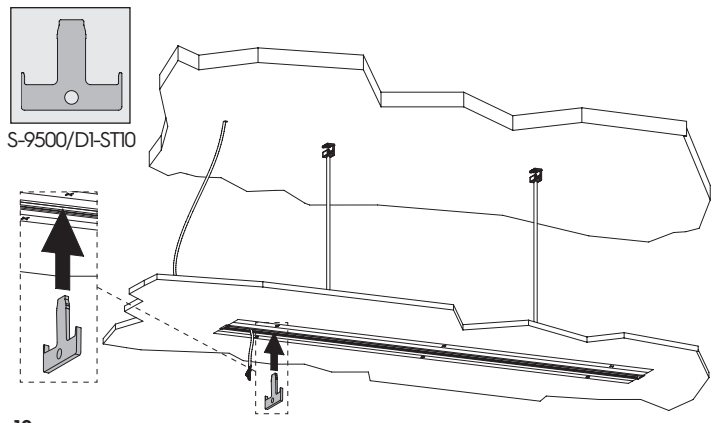
9



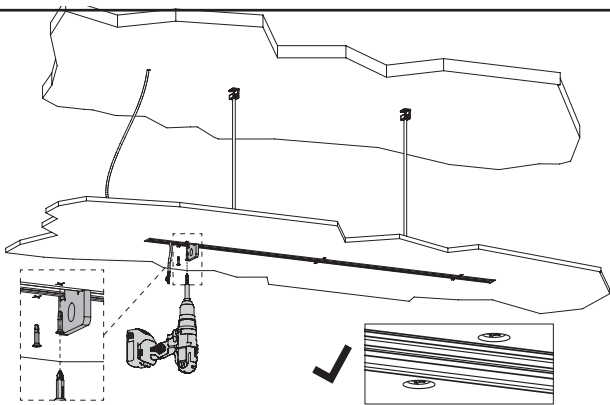
10



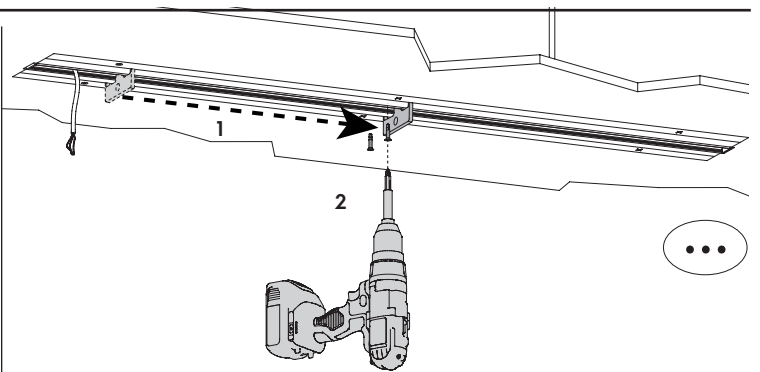
11



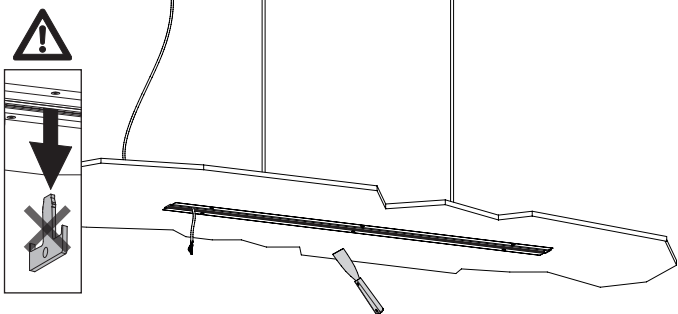
12



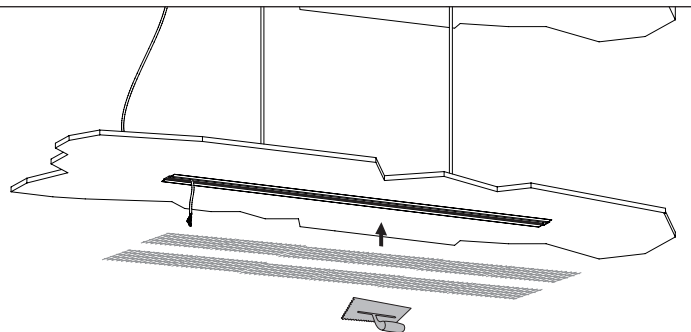
13



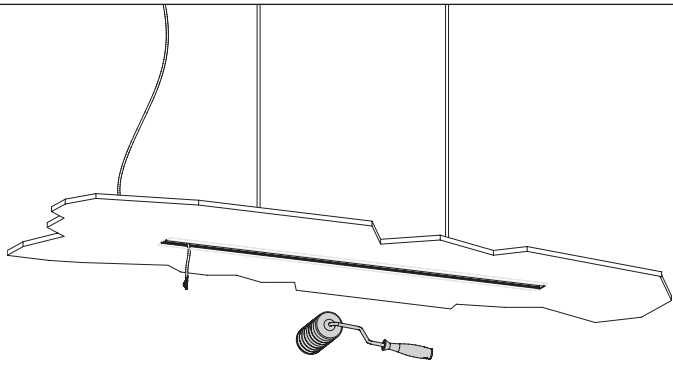
14



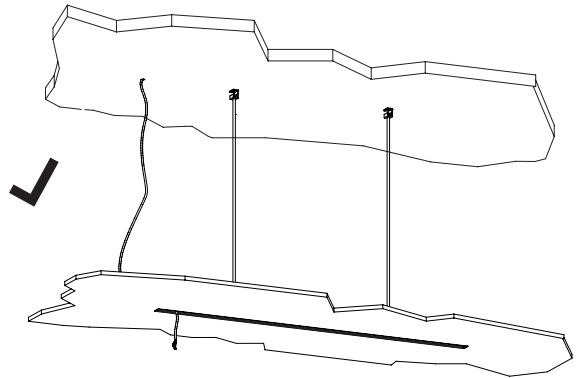
15



16

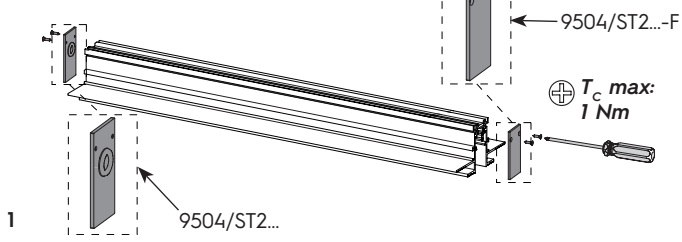


17

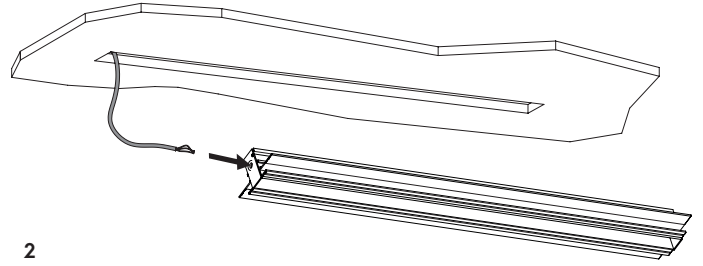


18

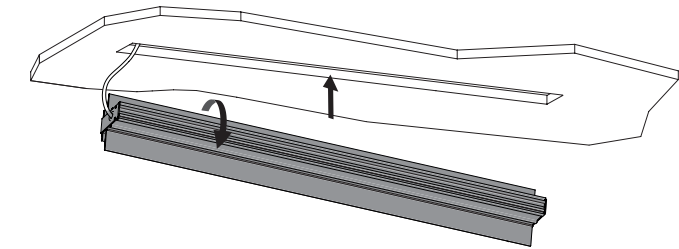
**4 - TRIMLESS FIXING (type 2)**



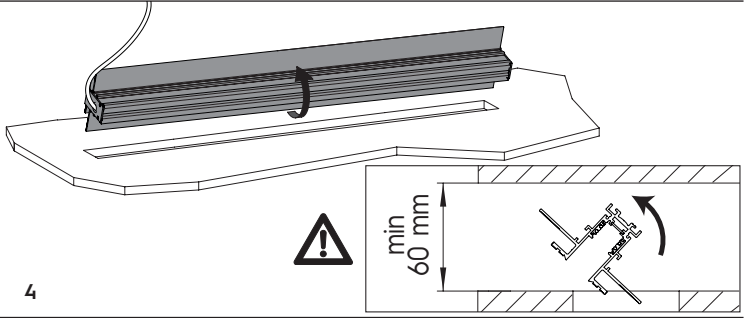
1



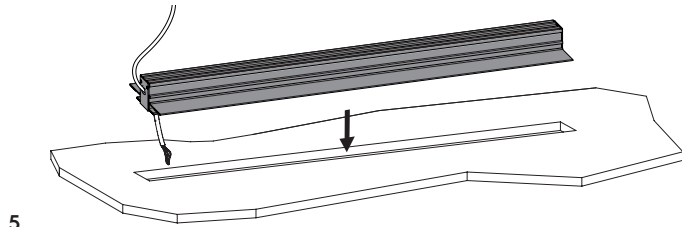
2



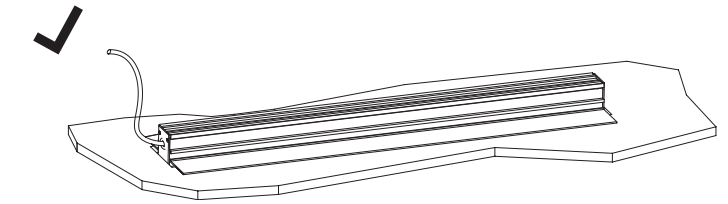
3



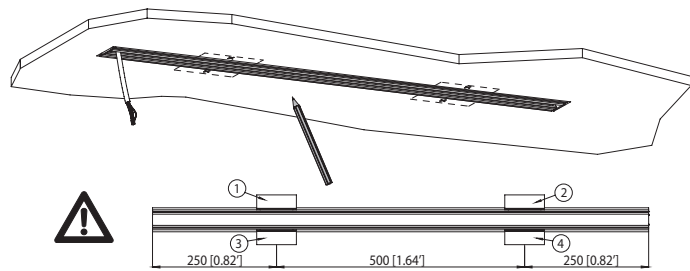
4



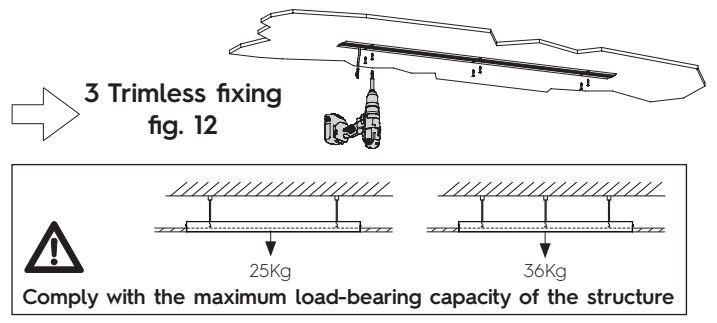
5



6

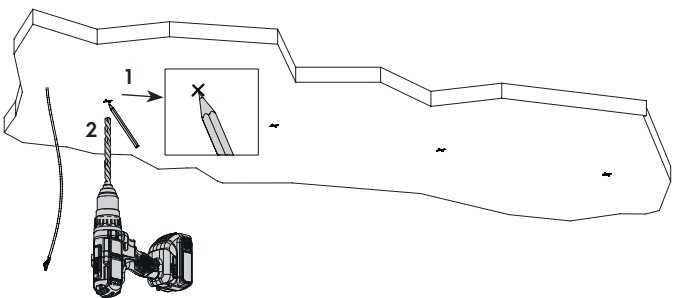


7

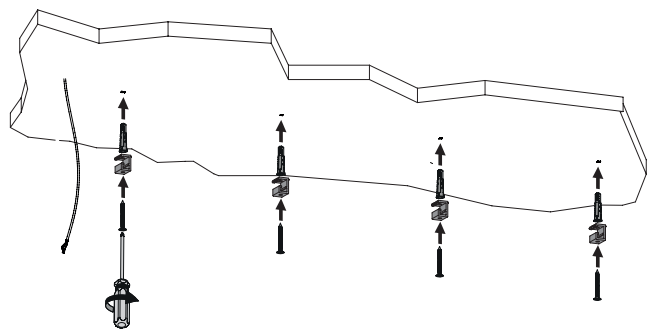


8

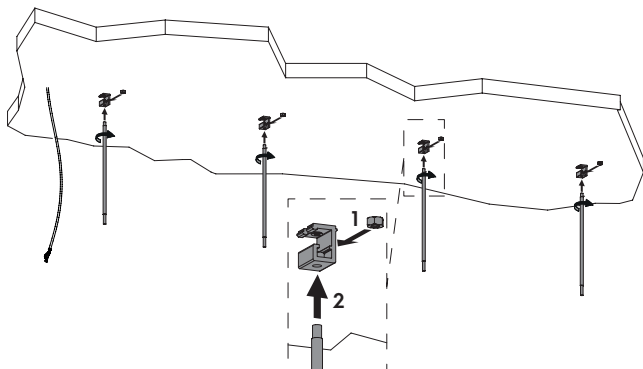
**5 - IN ROW USE -TRIMLESS FIXING**



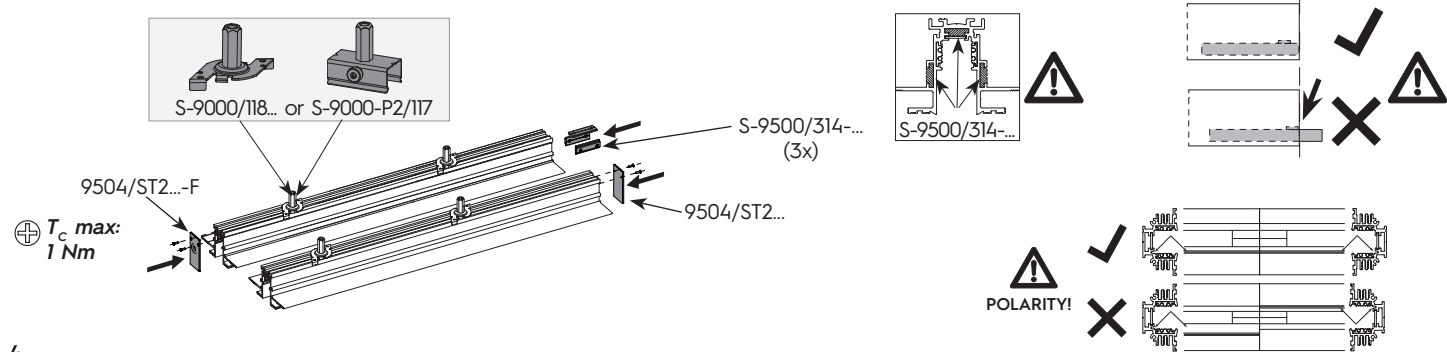
1



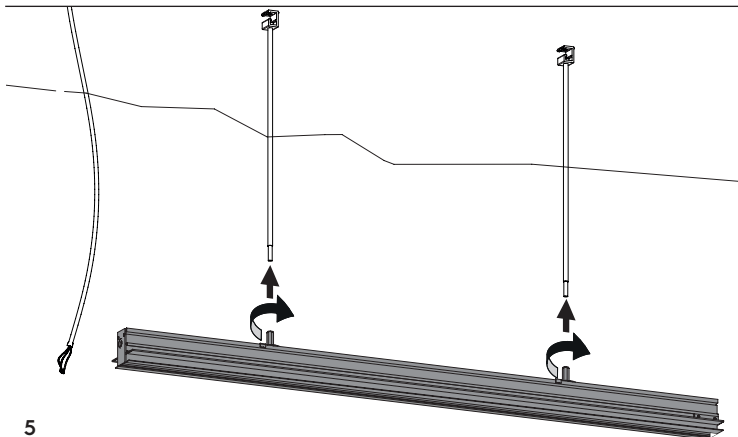
2



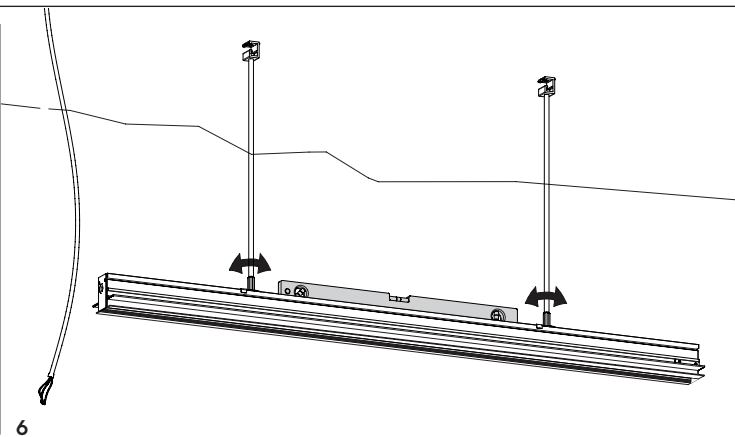
3



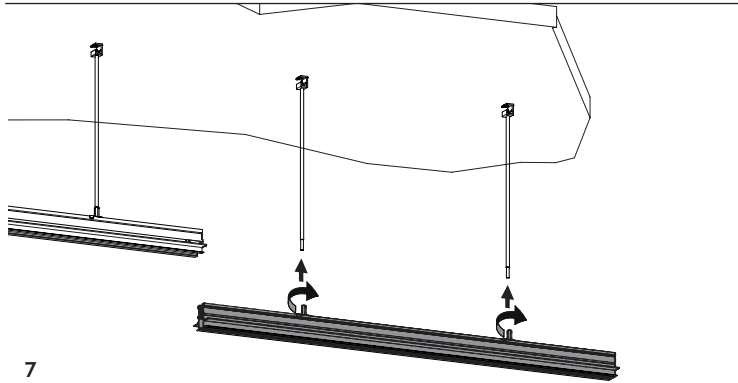
4



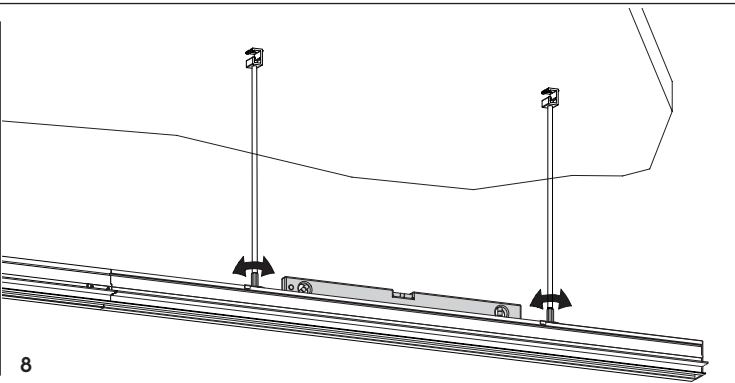
5



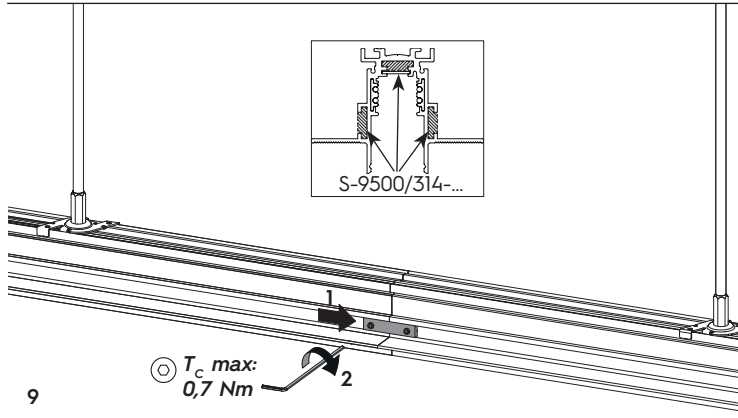
6



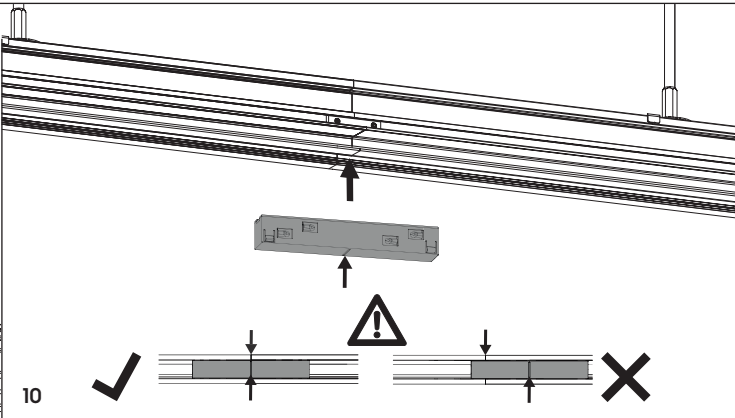
7



8

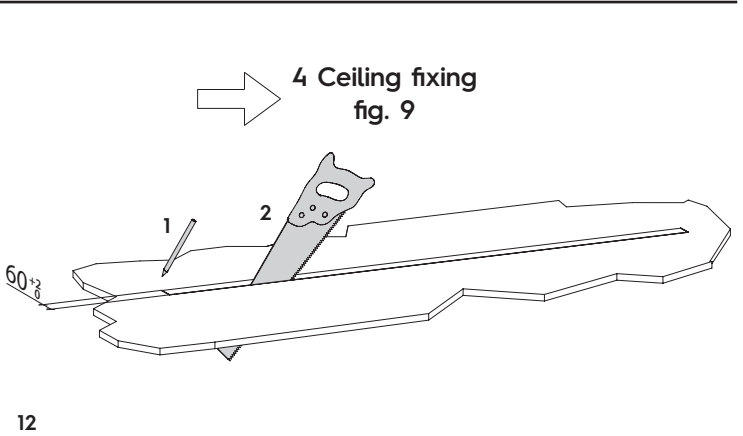
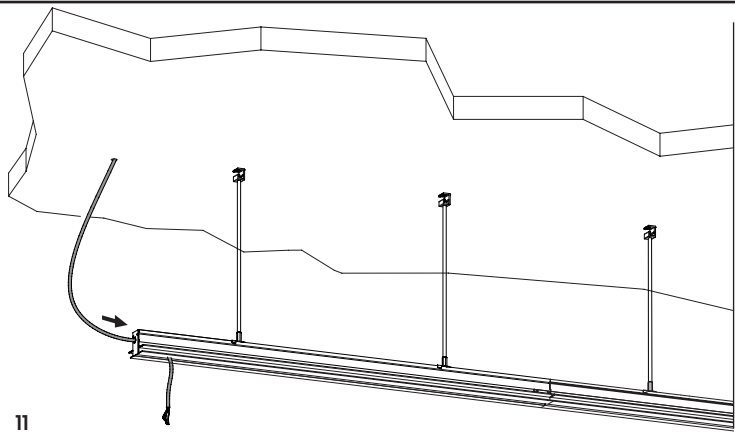


9

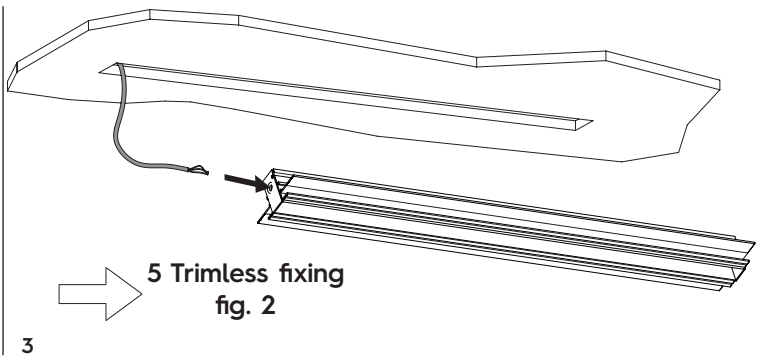
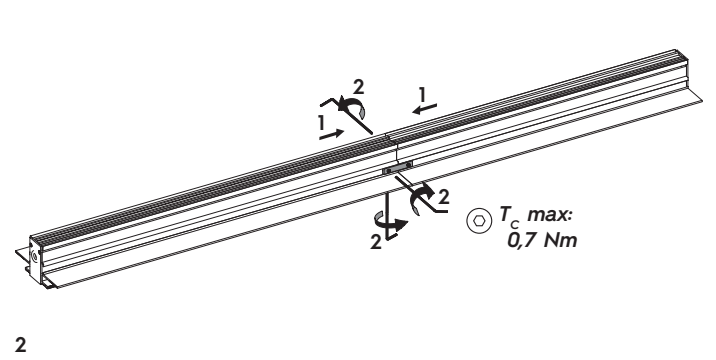
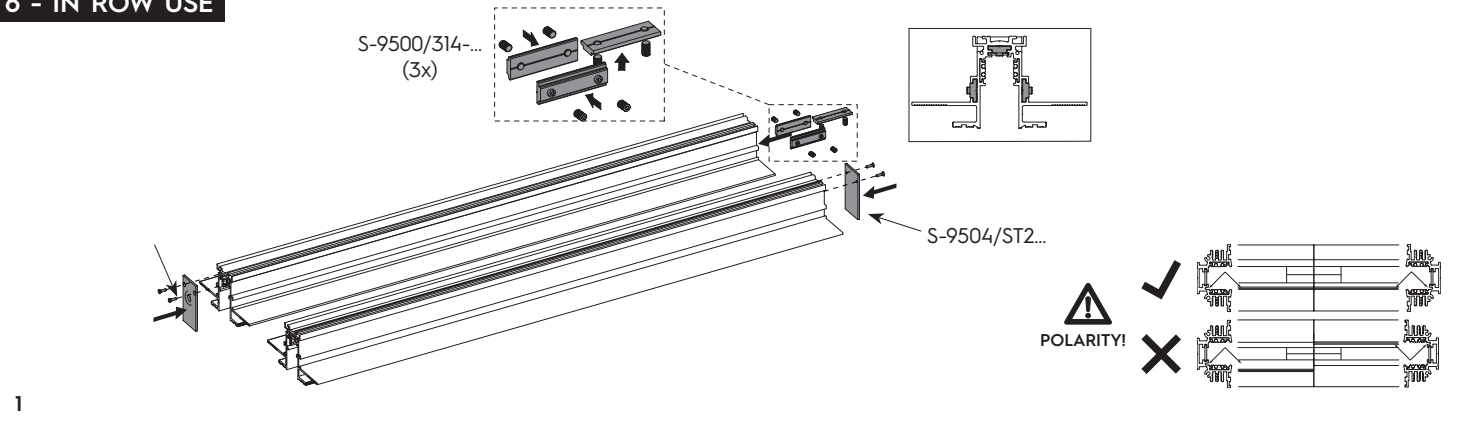


10

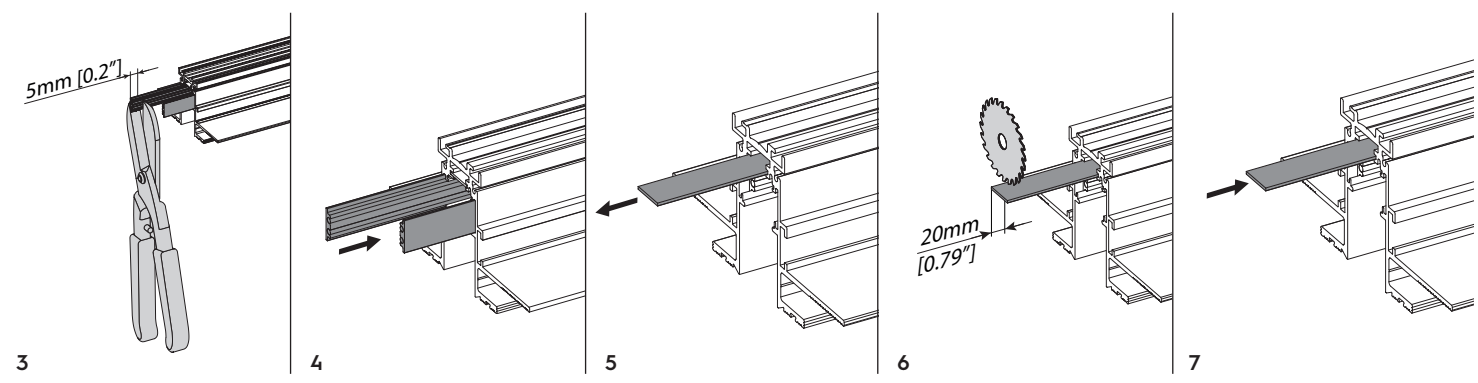
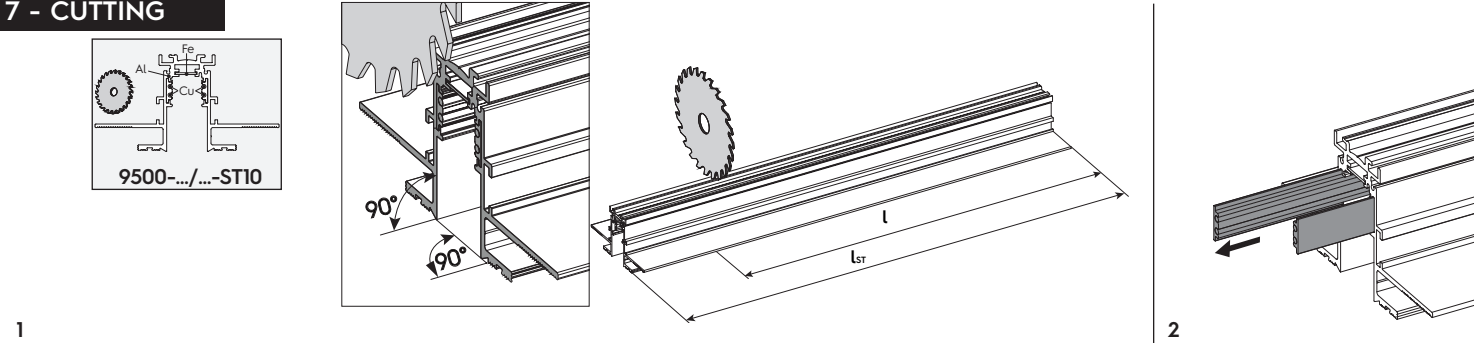




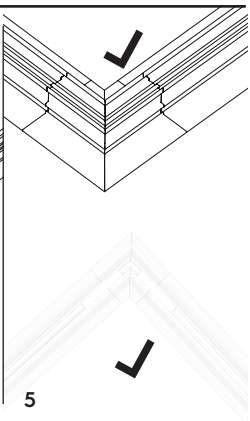
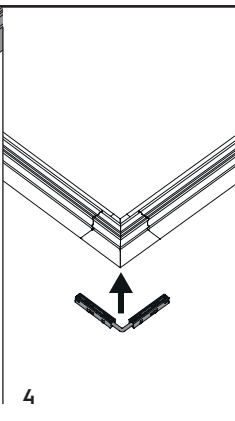
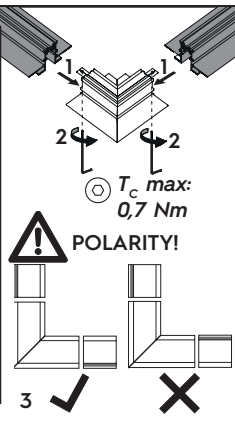
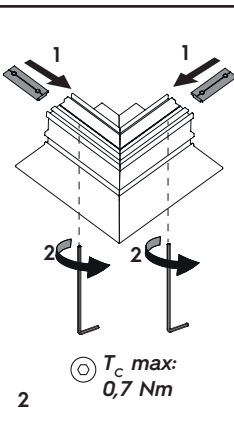
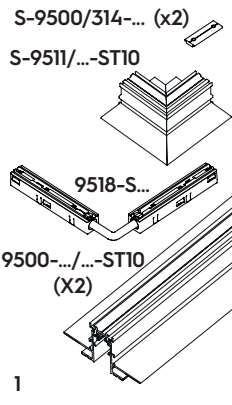
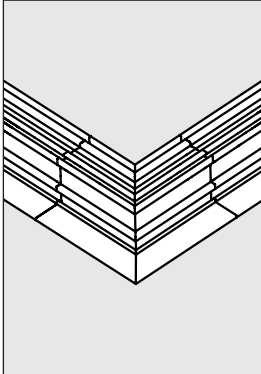
**6 - IN ROW USE**



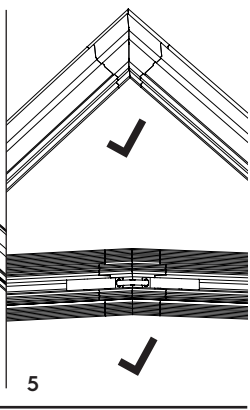
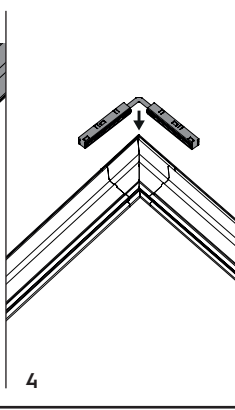
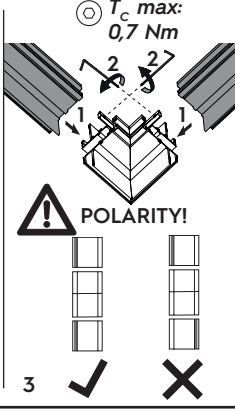
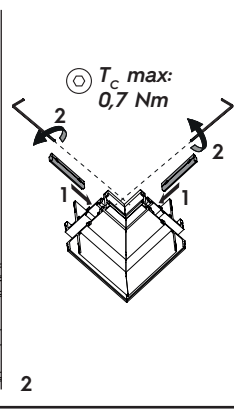
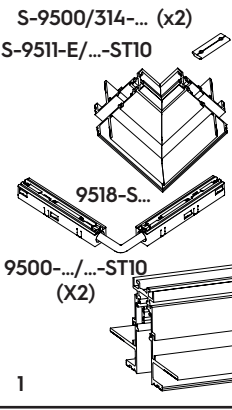
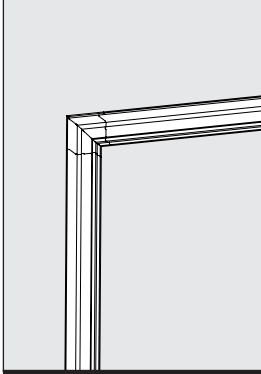
**7 - CUTTING**



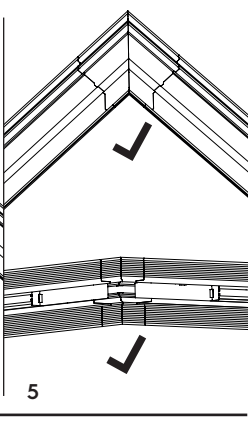
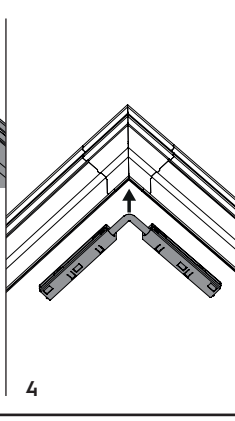
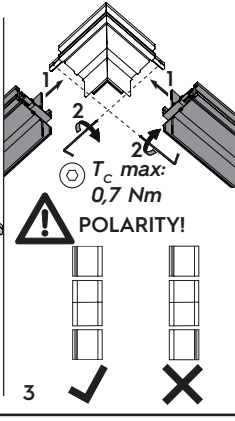
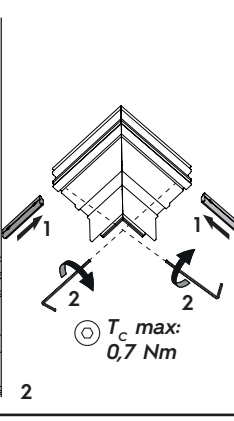
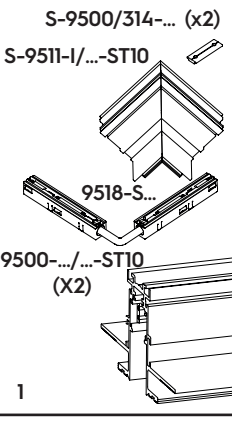
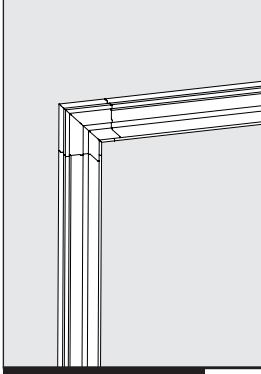
**8 - S-9511/...-ST10**



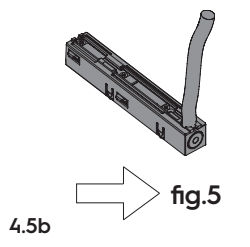
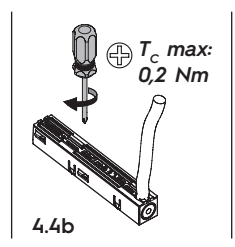
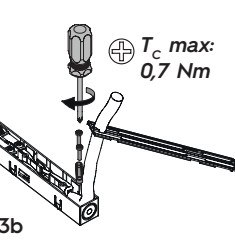
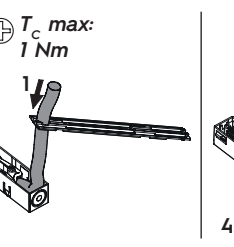
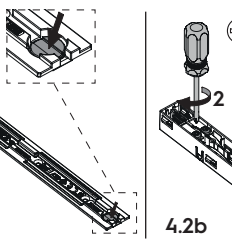
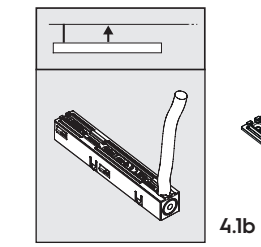
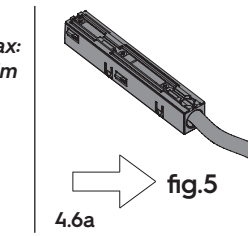
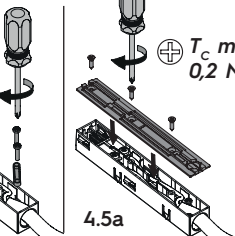
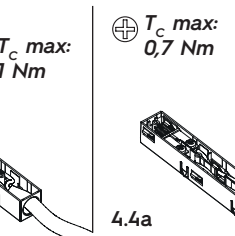
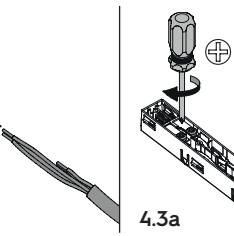
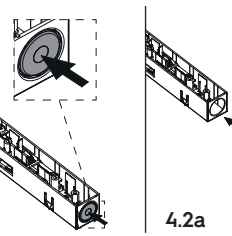
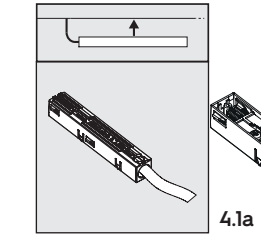
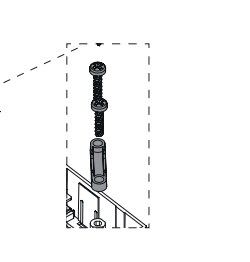
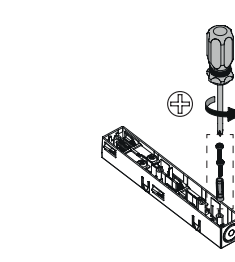
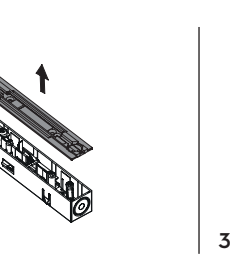
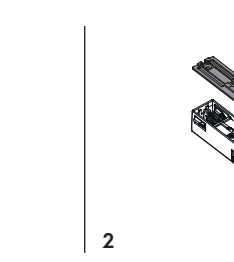
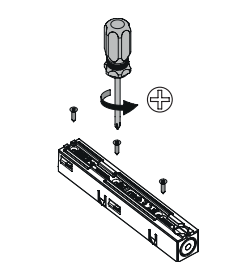
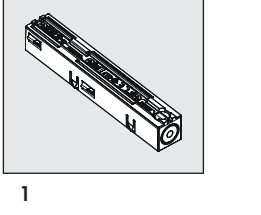
**9 - S-9511-E/...-ST10**

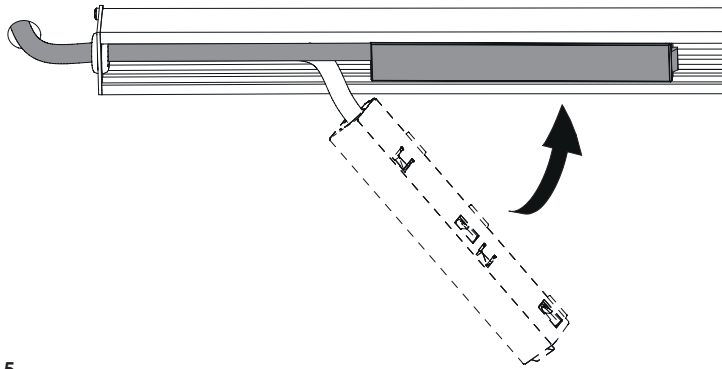


**10 - S-9511-I/...-ST10**

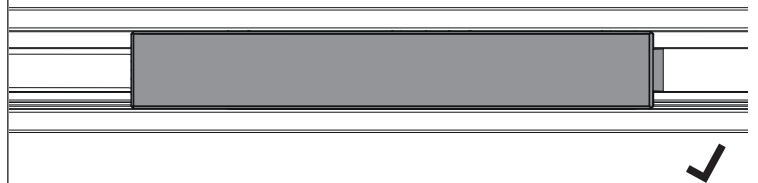


**11 - 9501-S/...-E**



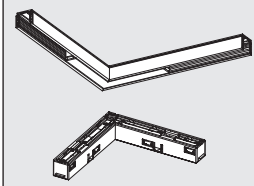


5



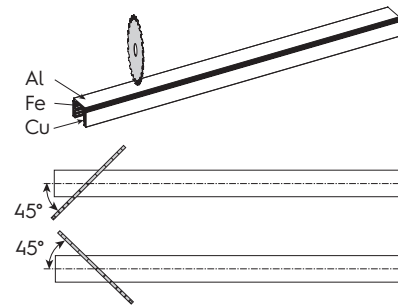
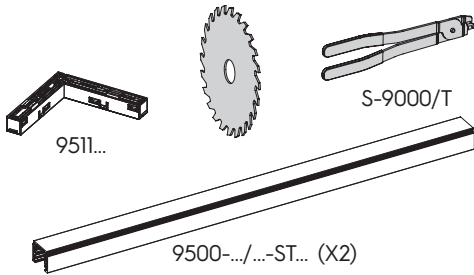
6

**12 - 90° ANGLE**

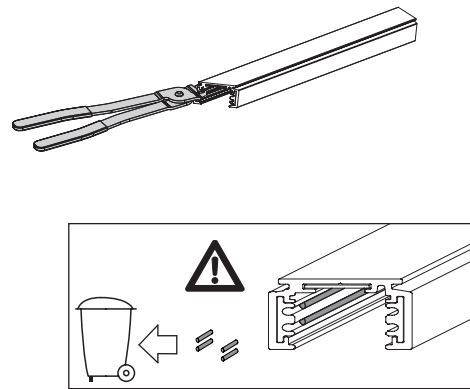
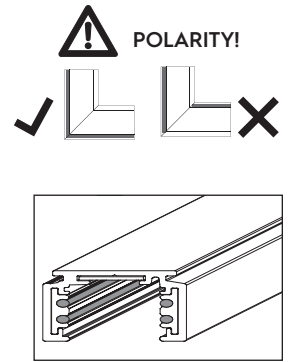


WITH 9511...

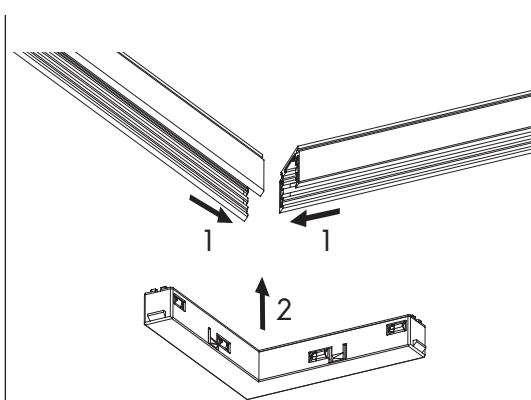
1



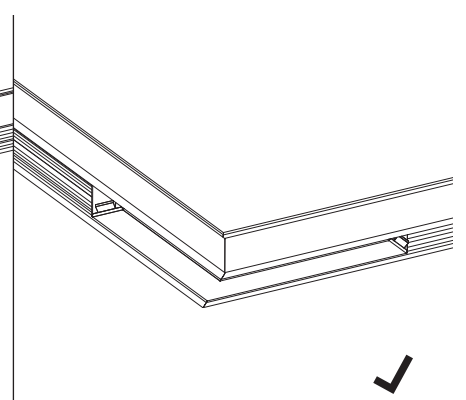
2



3

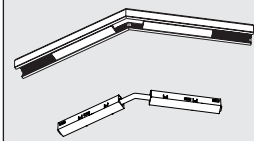


4



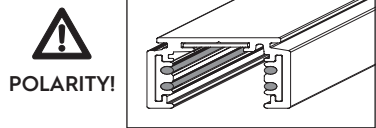
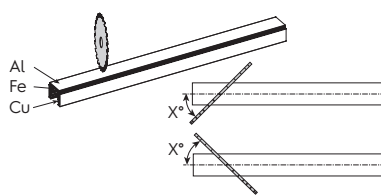
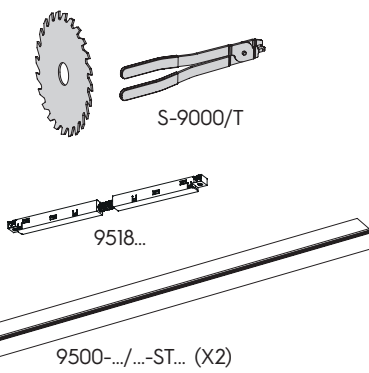
5

**13 -/≠ 90° ANGLE**

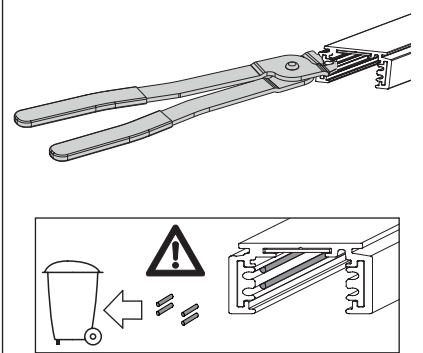


WITH 9518...

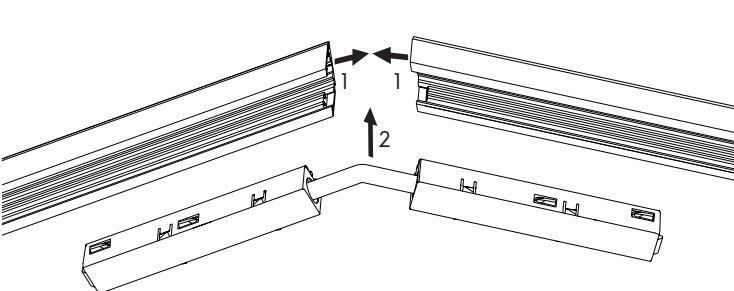
1



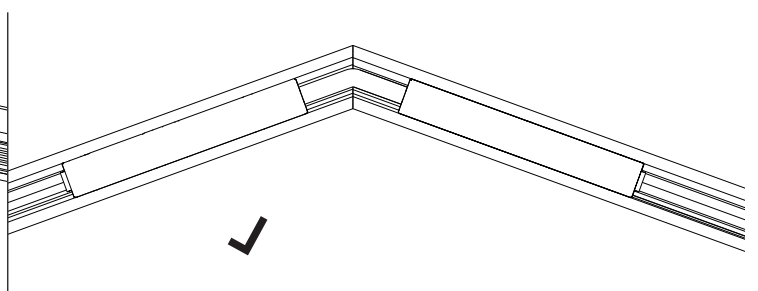
2



3



4

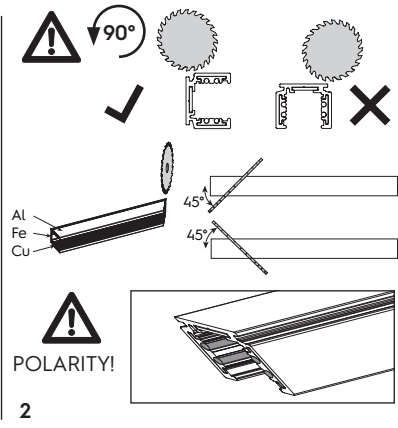
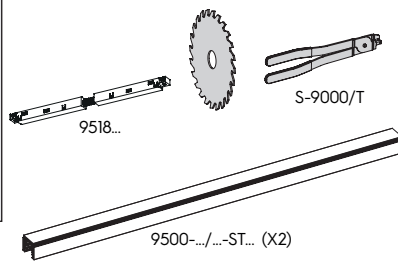


5

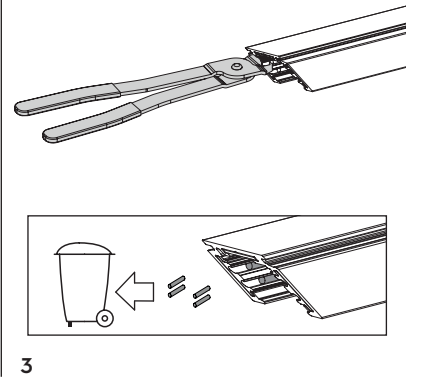
**14 - WALL CEILING  
90° ANGLE**



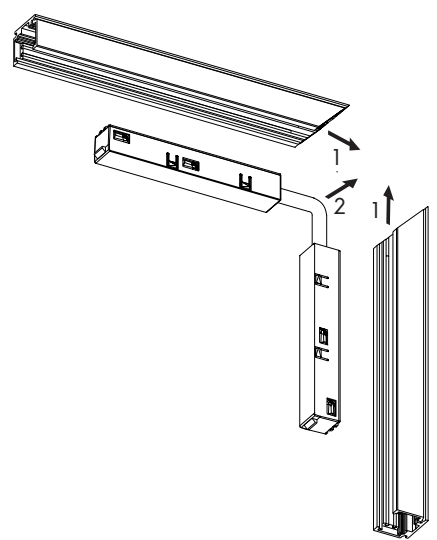
1



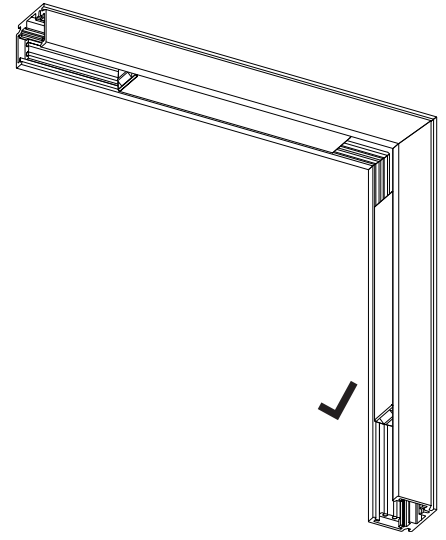
2



3



4



5