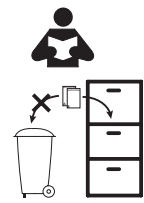
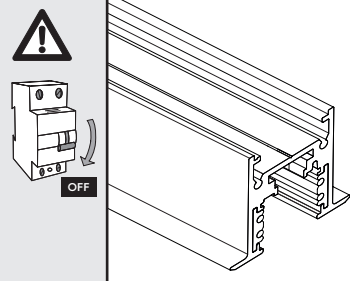


MULTISYSTEM evo



ST8-E

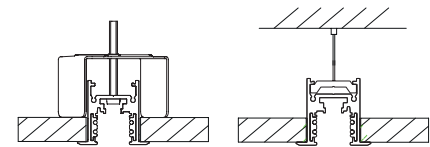
1 - 9500.../...ST8-E



CODE	L	
	mm	[ft]
9500-1/...-ST1-E	1000	[3.28]
9500-2/...-ST1-E	2000	[3.28]
9500-3/...-ST1-E	3000	[3.28]

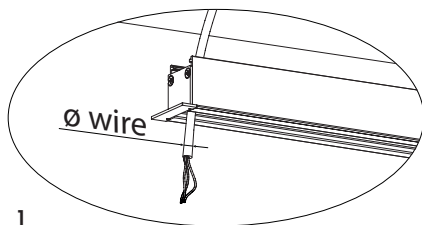
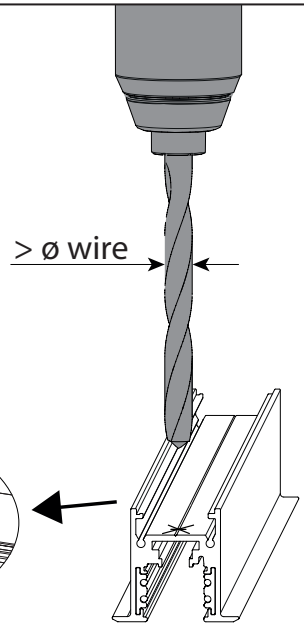
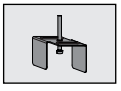
2 - USE

Recessed (ceiling)



3 - RECESSED FIXING

3a with spring S-9500/111



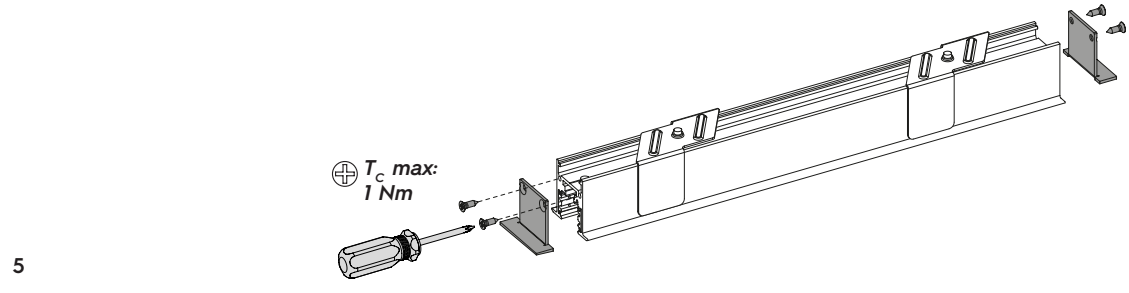
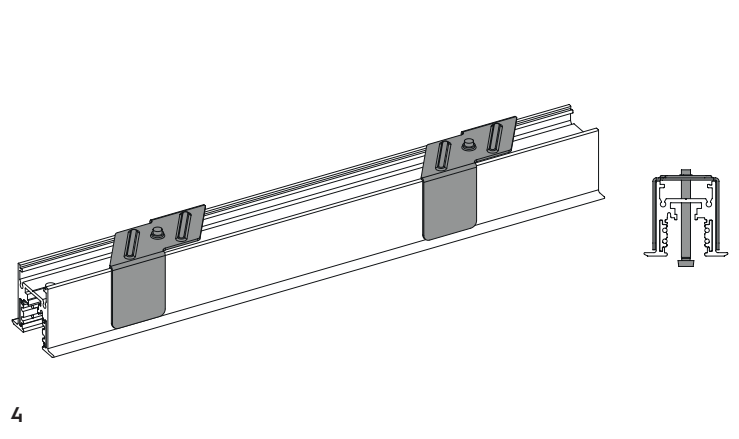
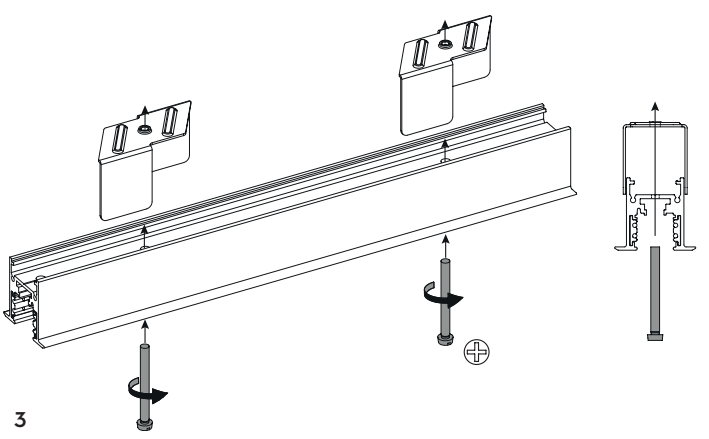
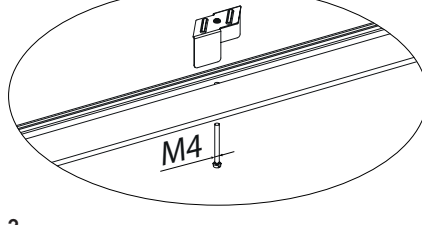
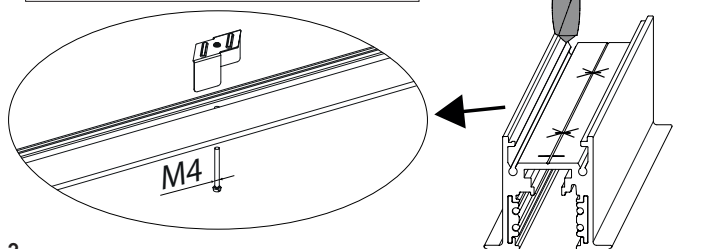
MAX LOAD	
200 [0.66']	600 [1.97']
200 [0.66']	300 [0.98']
150 [0.49']	250 [0.82']
200 [0.66']	300 [0.98']
200 [0.66']	600 [1.97']
200 [0.66']	300 [0.98']
200 [0.66']	600 [1.97']
200 [0.66']	300 [0.98']
200 [0.66']	600 [1.97']
200 [0.66']	300 [0.98']
200 [0.66']	600 [1.97']

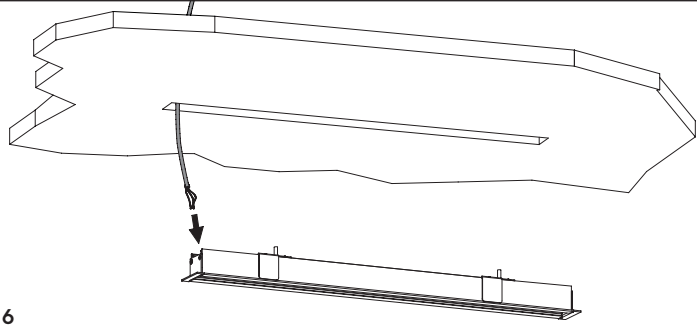
25 Kg

36 Kg

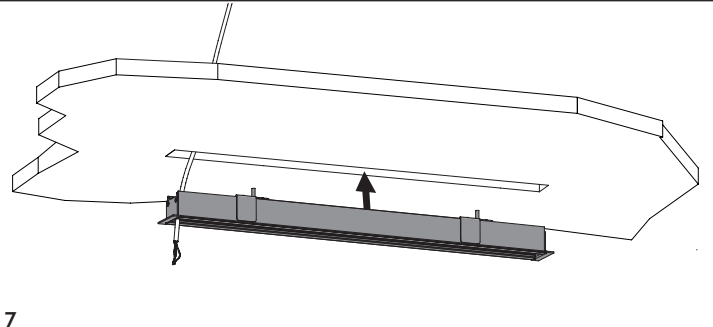
48 Kg

⚠ Check drywall max load!

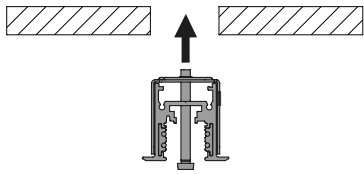




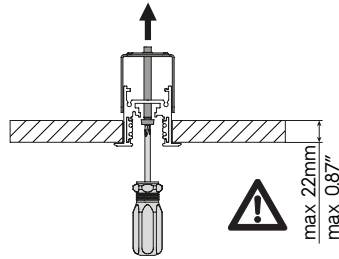
6



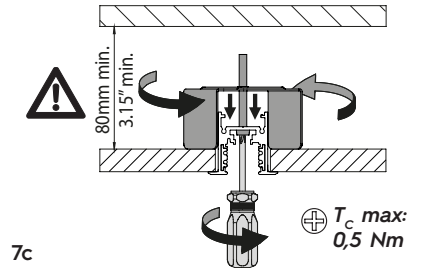
7



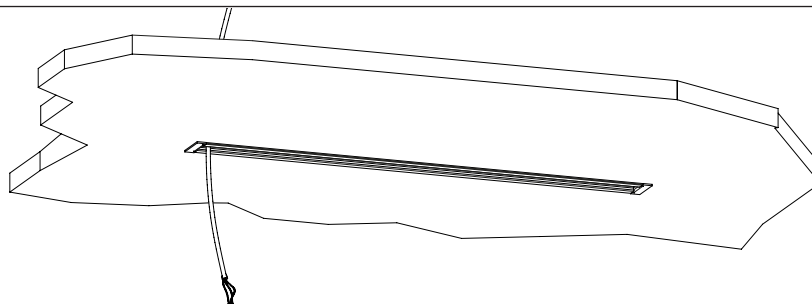
7a



7b

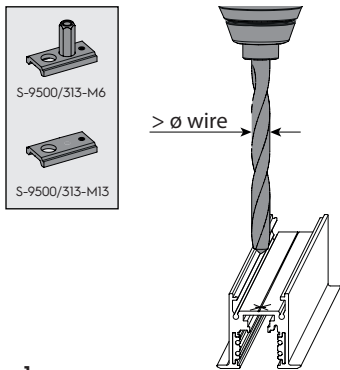


7c

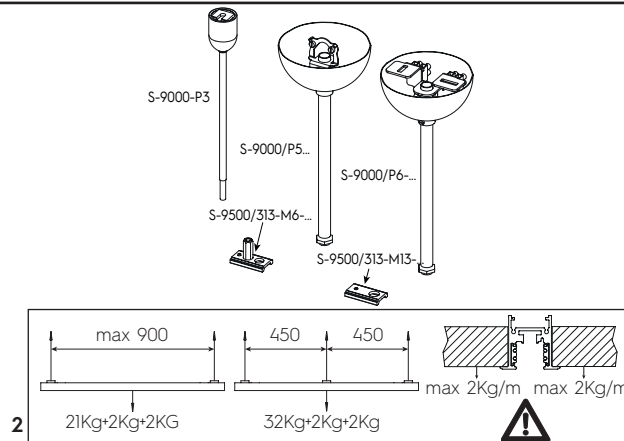


8

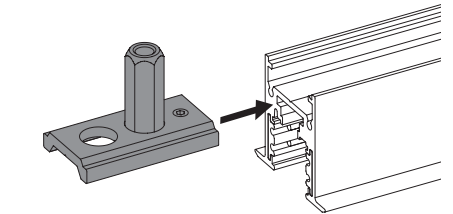
3b with rigid suspension sets



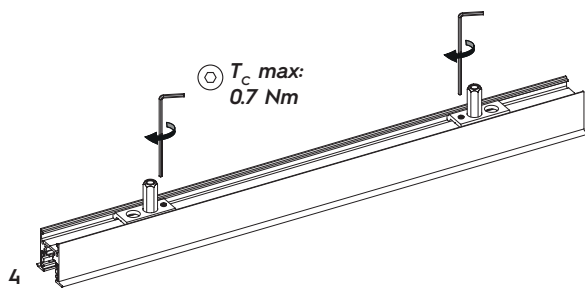
1



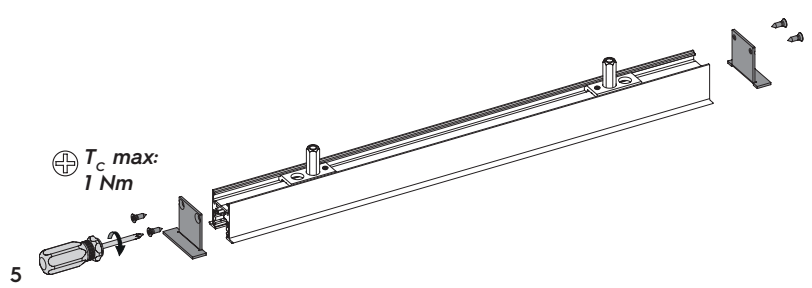
2



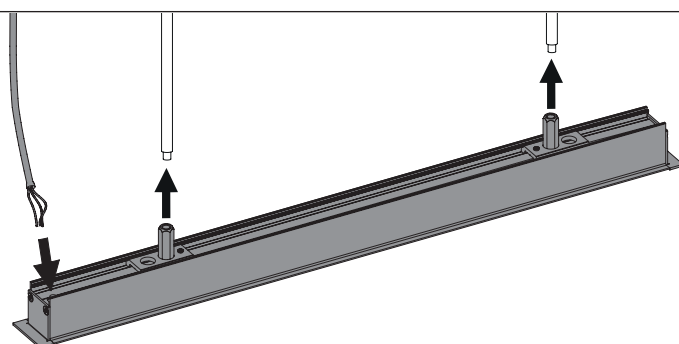
3



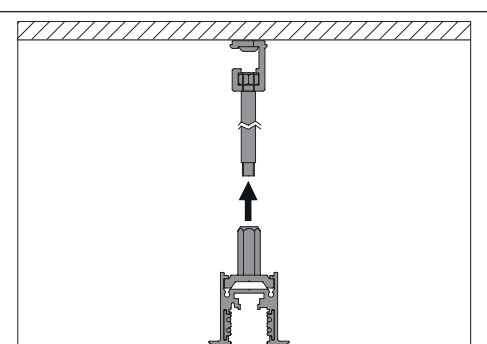
4

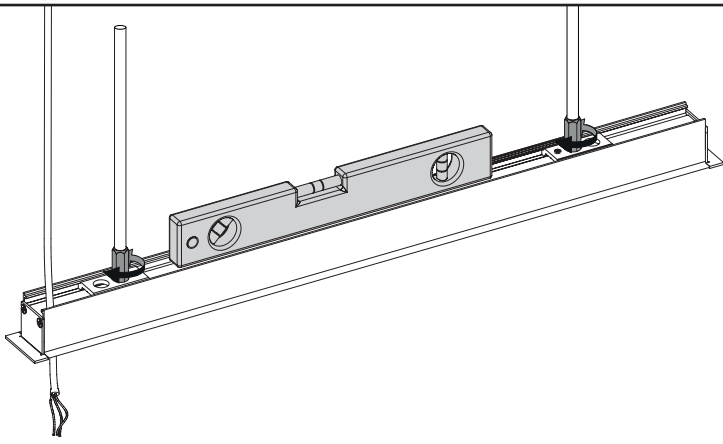


5

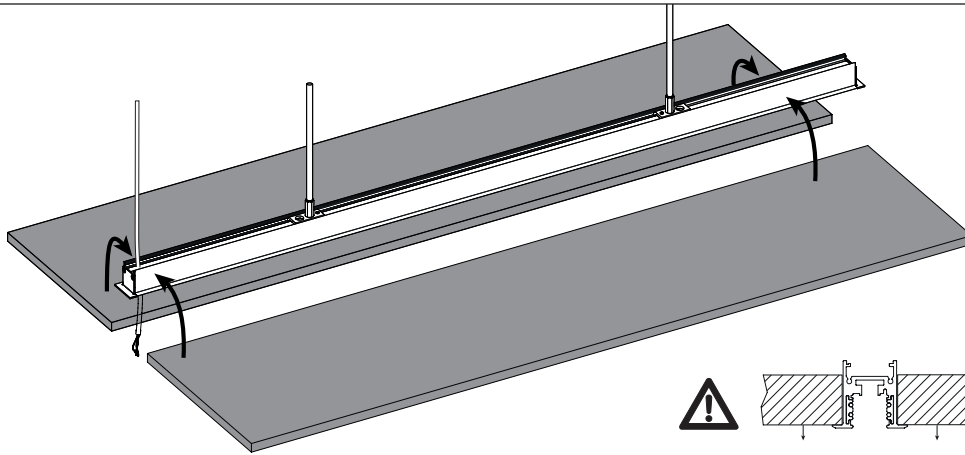
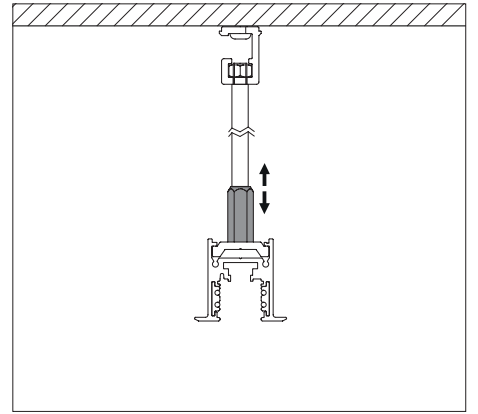


6

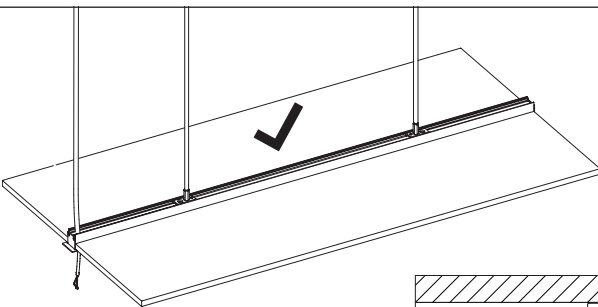
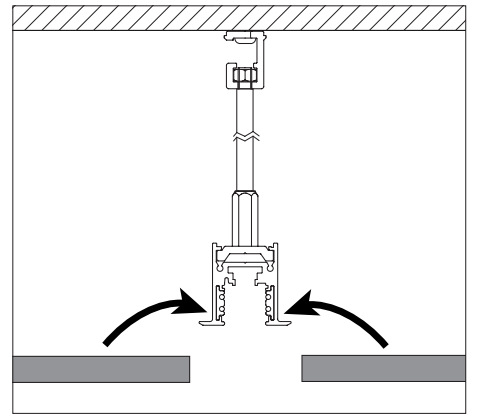




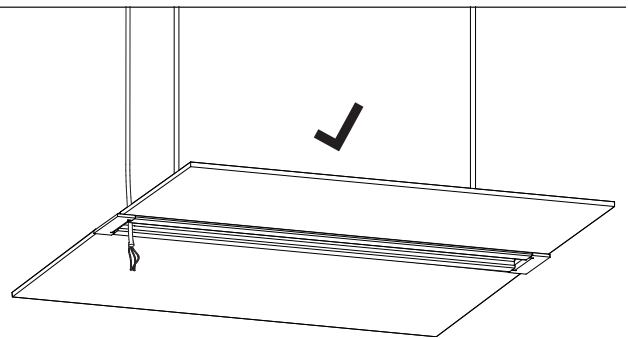
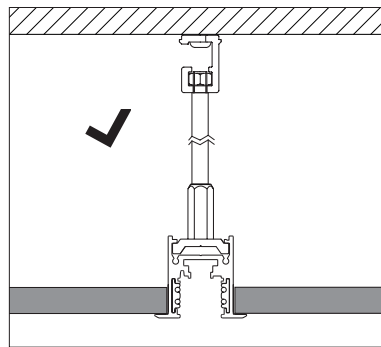
7



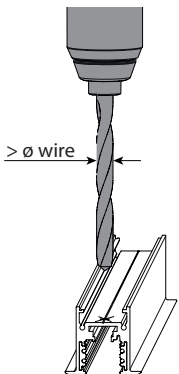
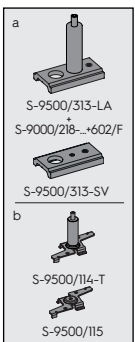
8



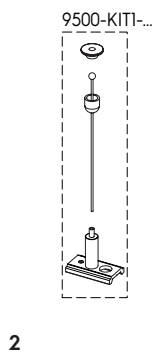
9



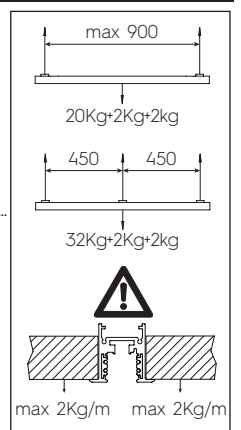
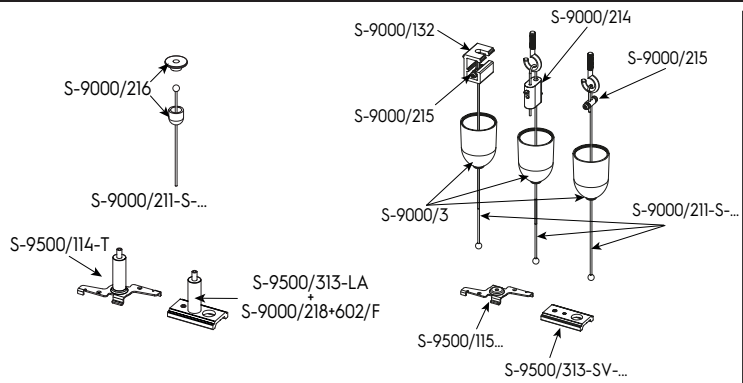
3c with brackets/clamps

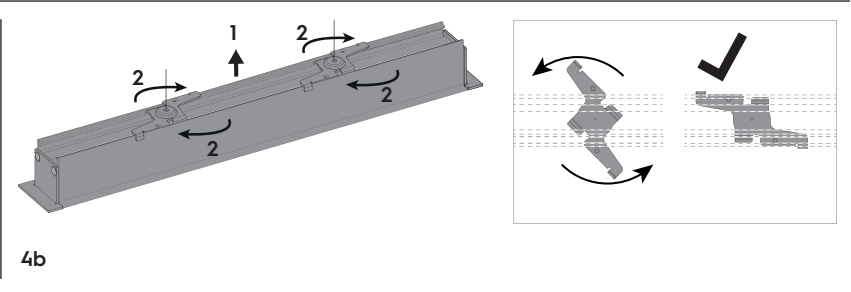
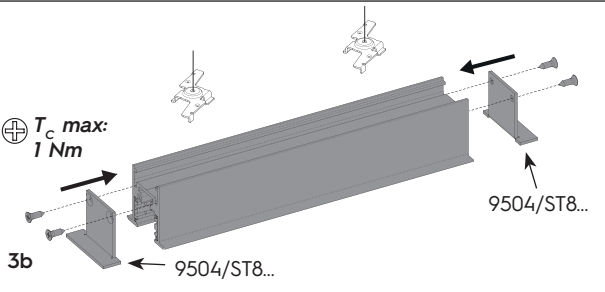
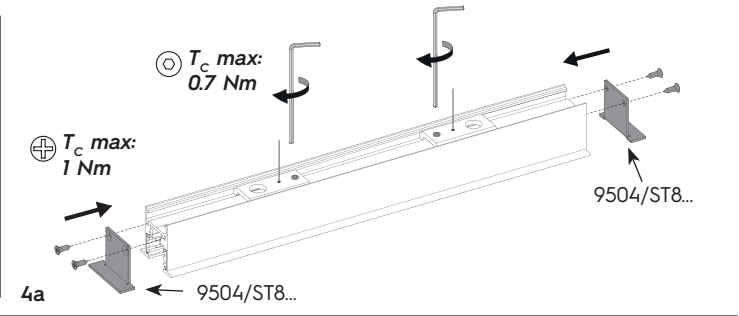
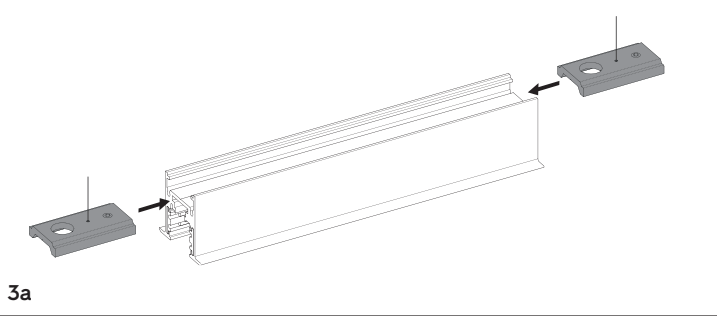


1

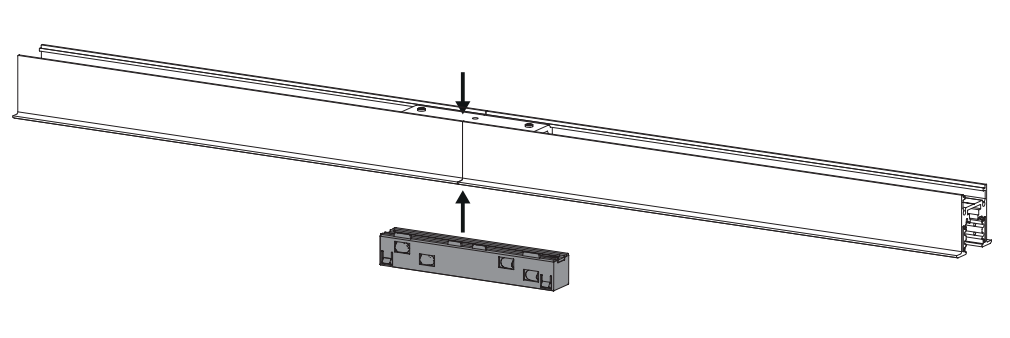
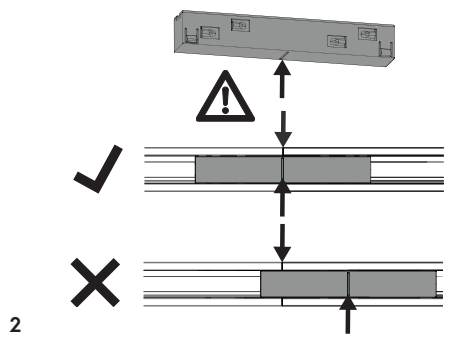
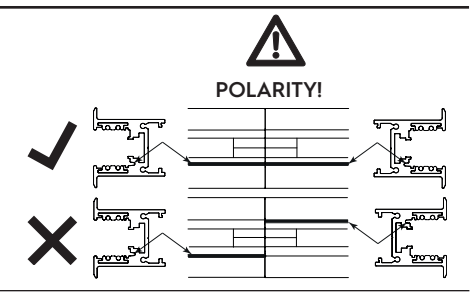
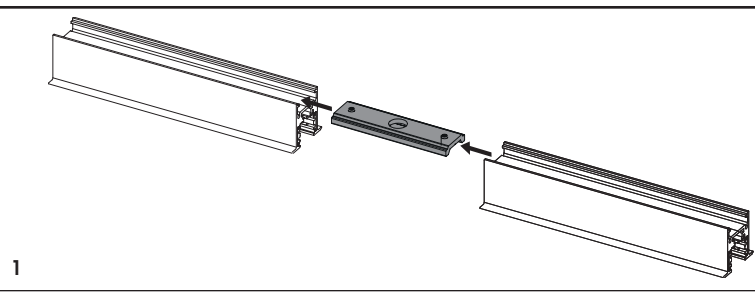
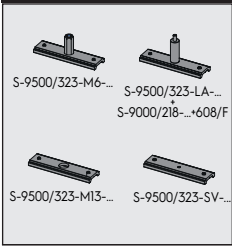


2

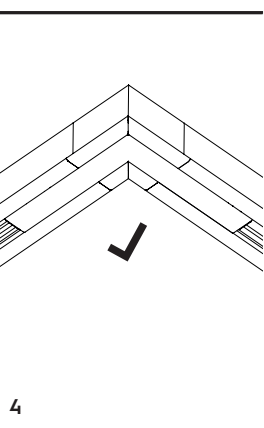
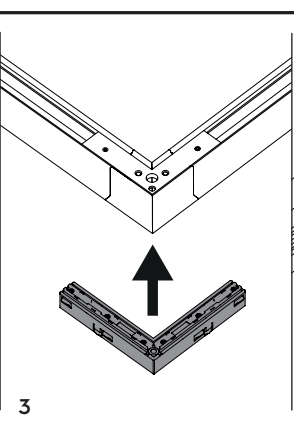
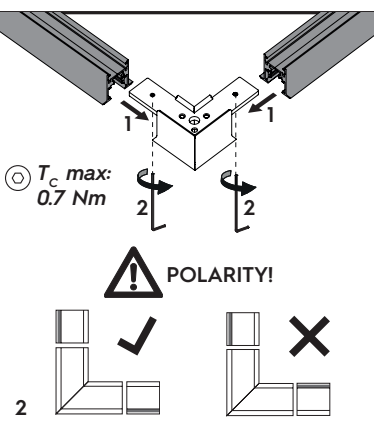
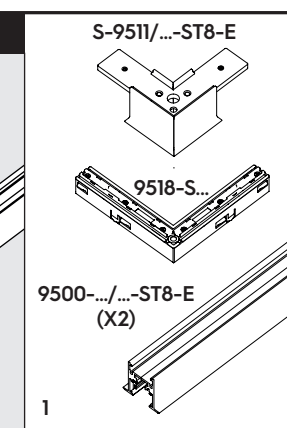
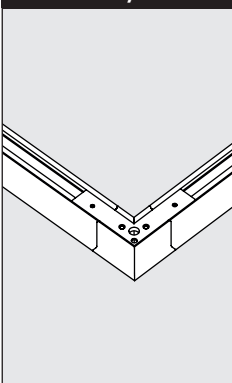




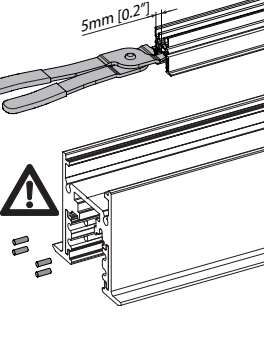
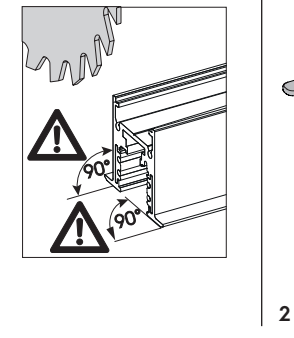
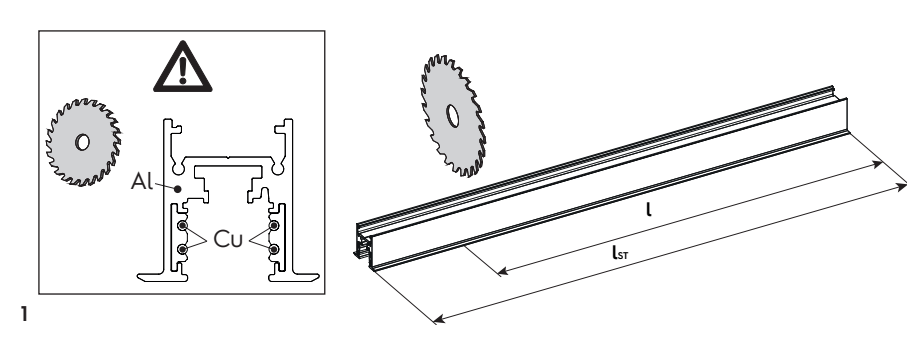
4 - IN ROW USE



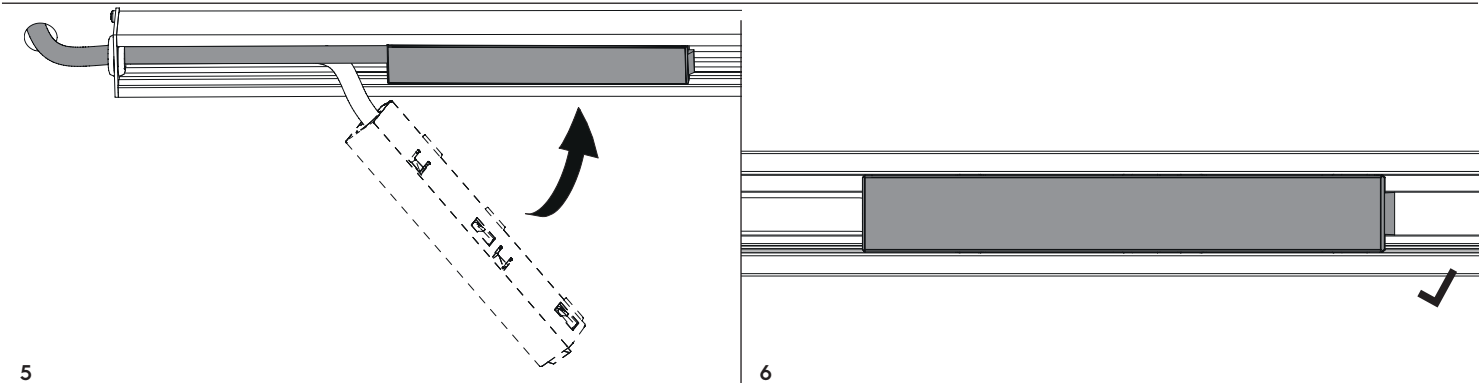
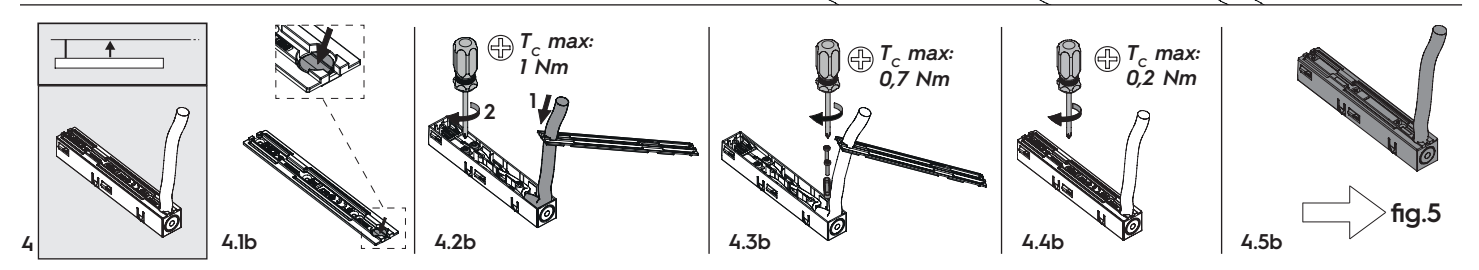
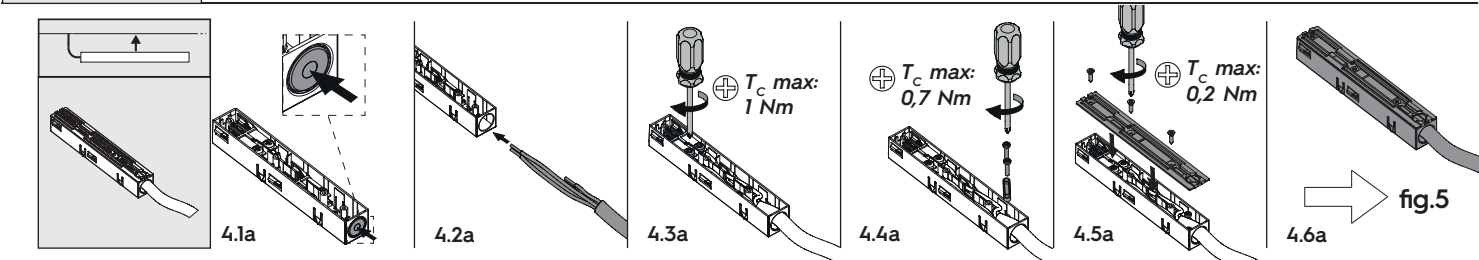
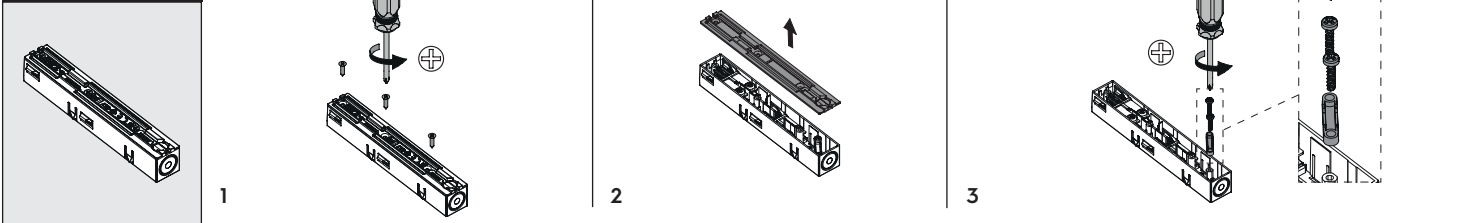
5 - S-9511/...-ST8-E



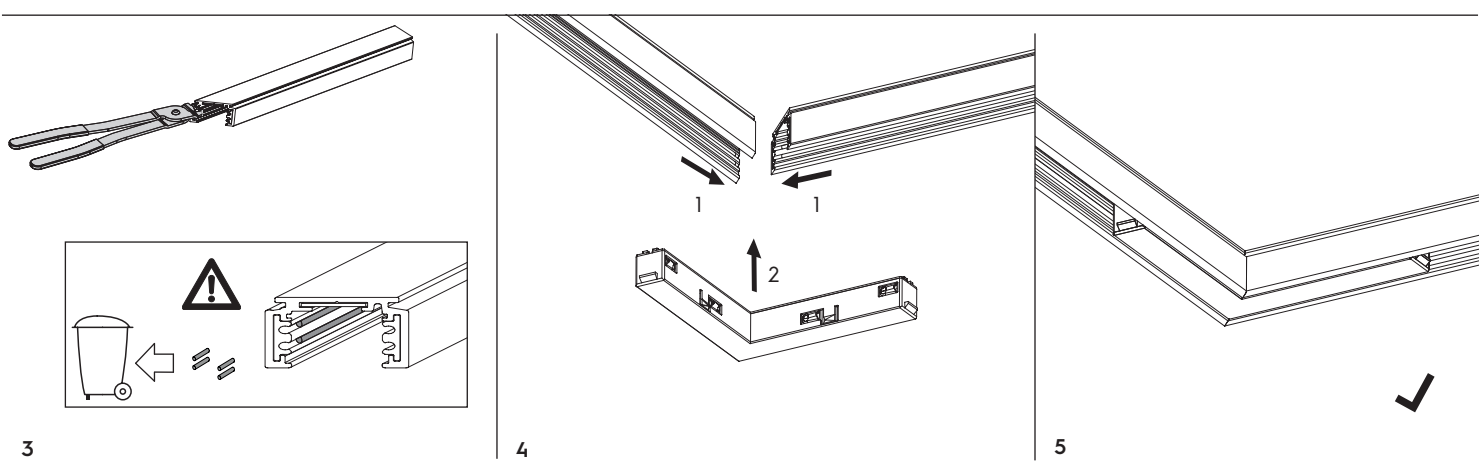
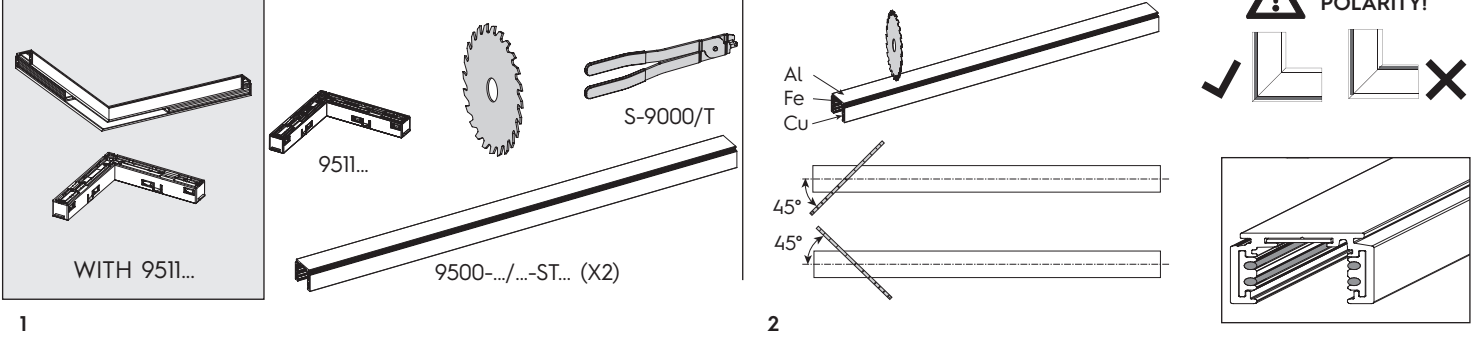
6 - CUTTING



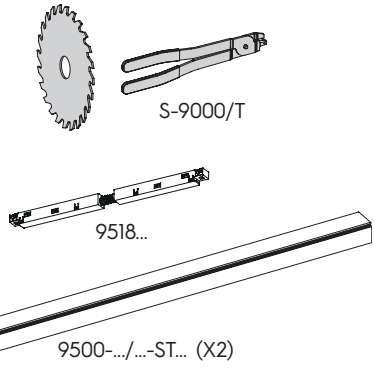
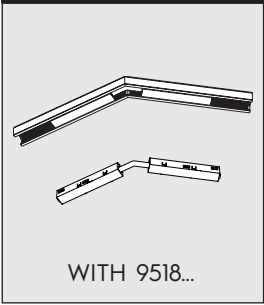
7 - 9501-S/...-E



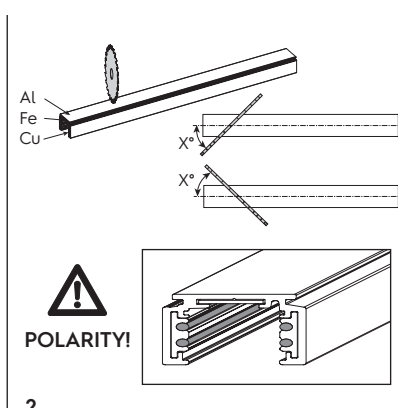
8 - 90° ANGLE



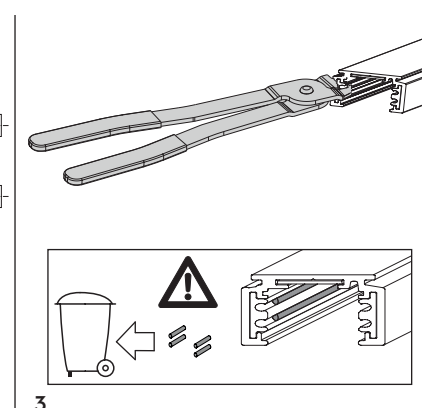
9 - ≠ 90° ANGLE



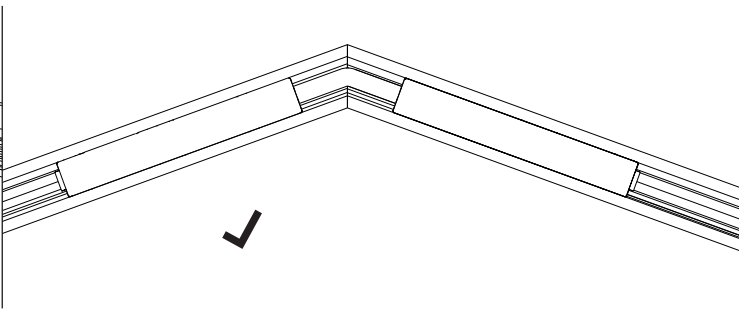
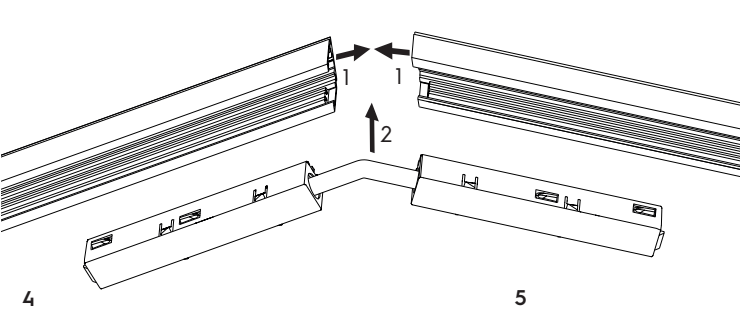
1



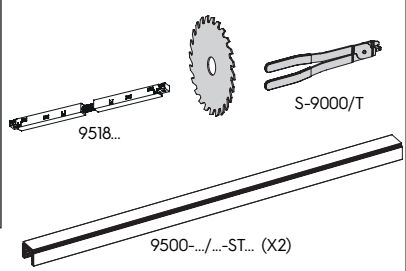
2



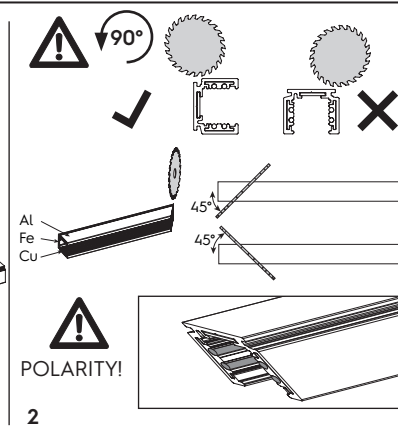
3



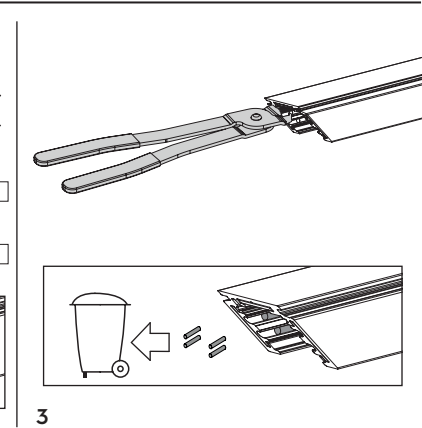
10 - WALL CEILING 90° ANGLE



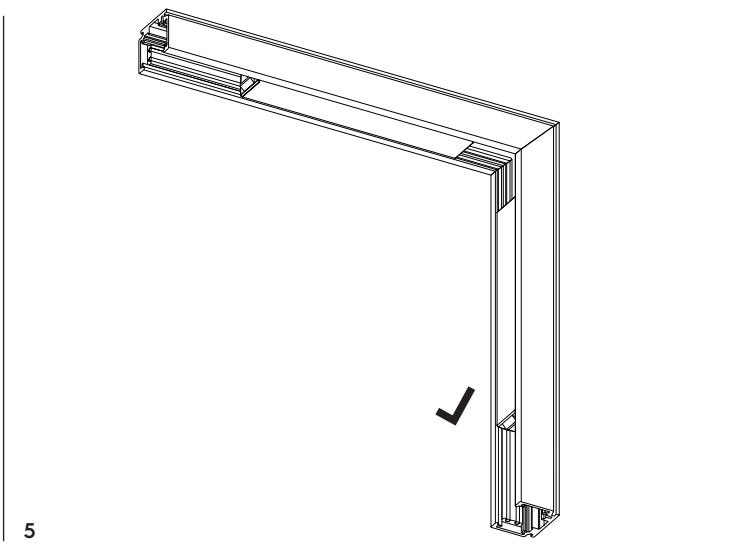
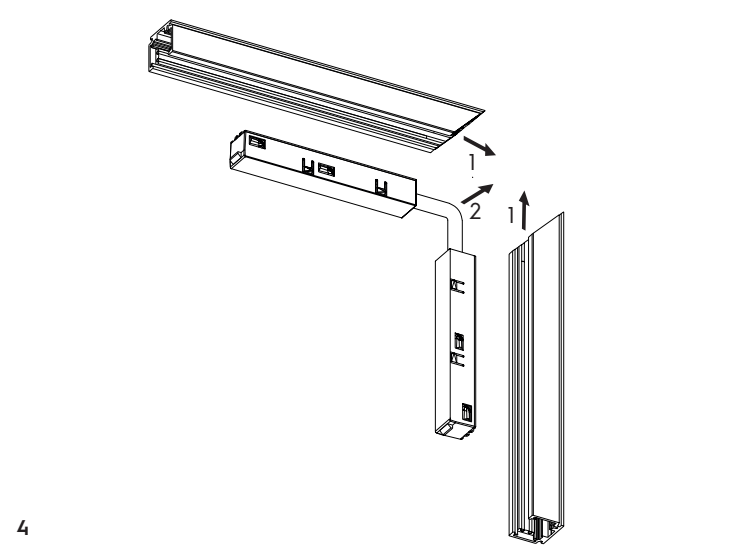
1



2



3



5