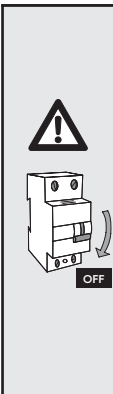
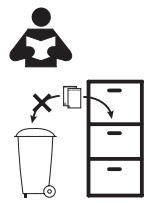
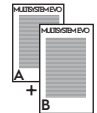
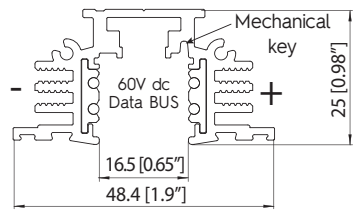
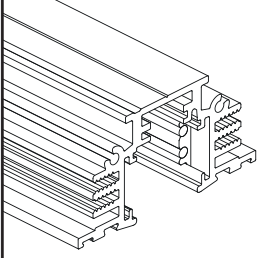


ST3-E

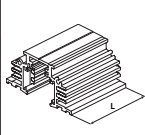
MULTISYSTEM evo



1 - 9500.../...ST3-E

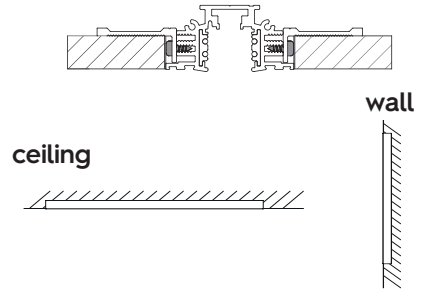


CODE	L mm [ft]
9500-1/-ST3-E	1000 [3.28']
9500-2/-ST3-E	2000 [3.28']
9500-3/-ST3-E	3000 [3.28']

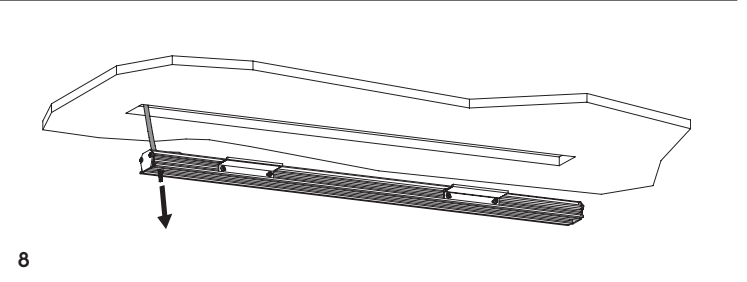
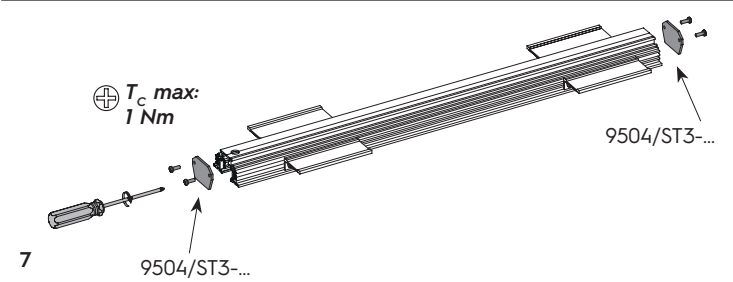
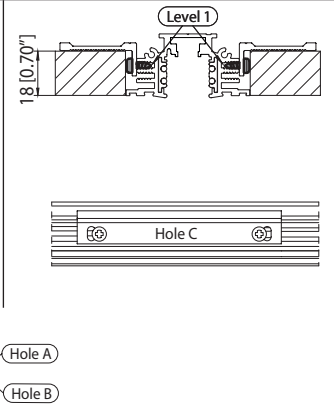
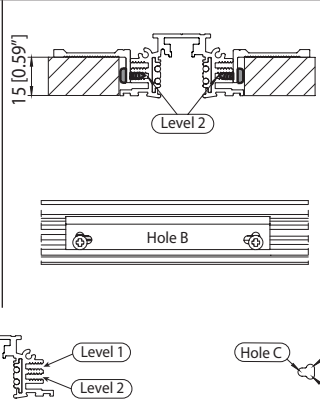
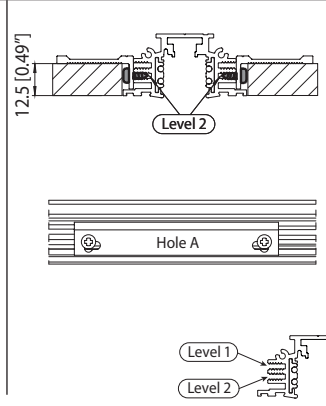
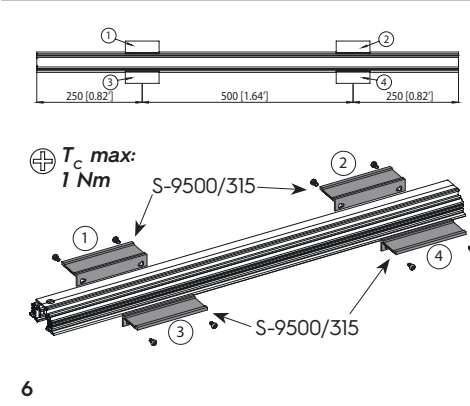
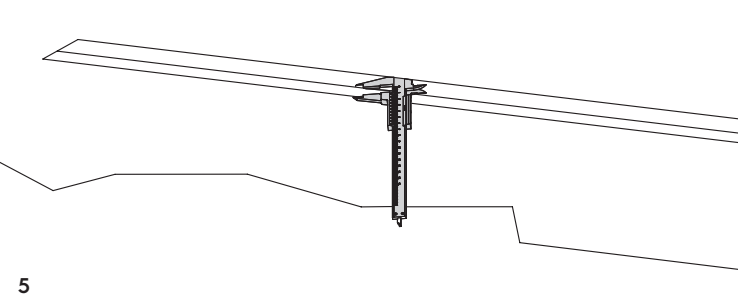
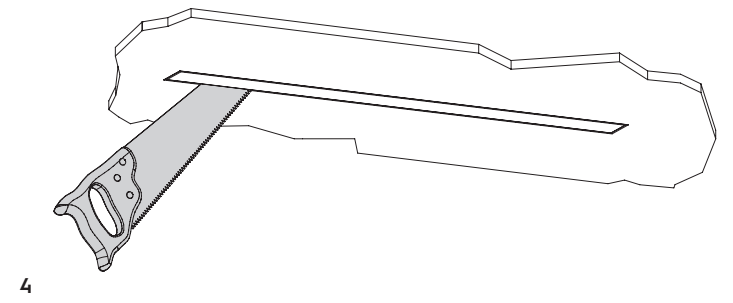
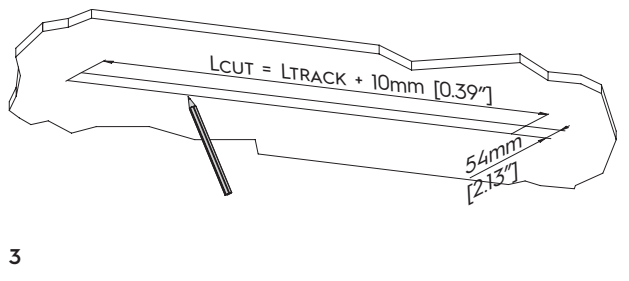
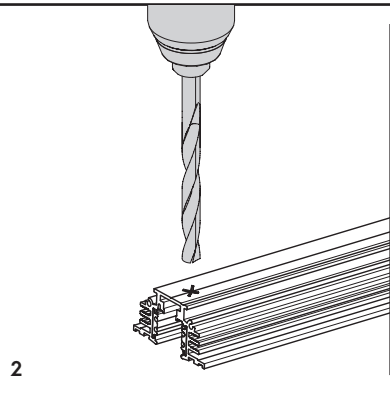
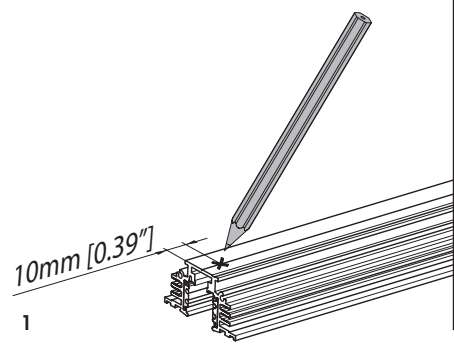


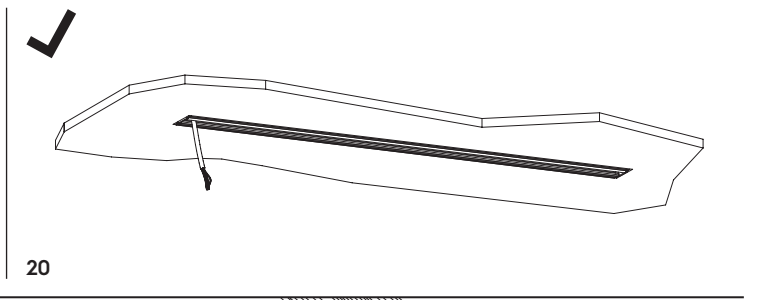
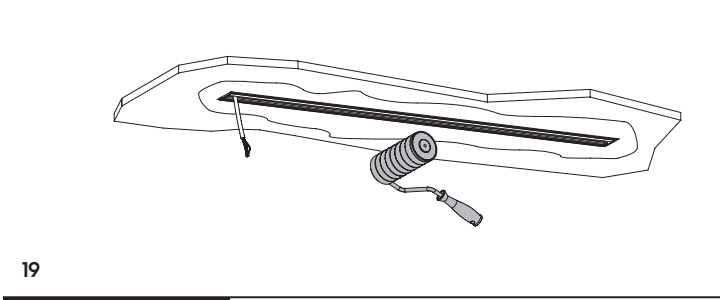
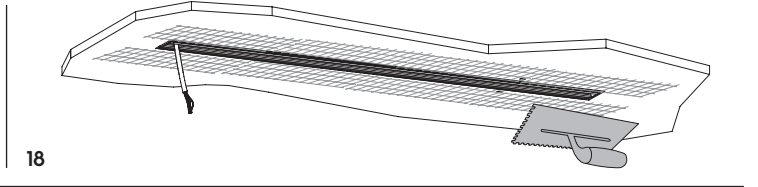
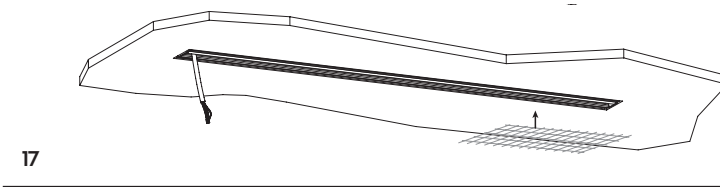
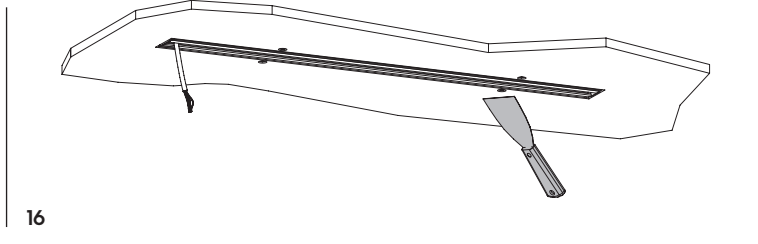
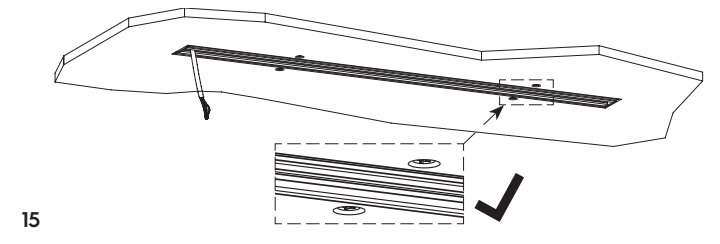
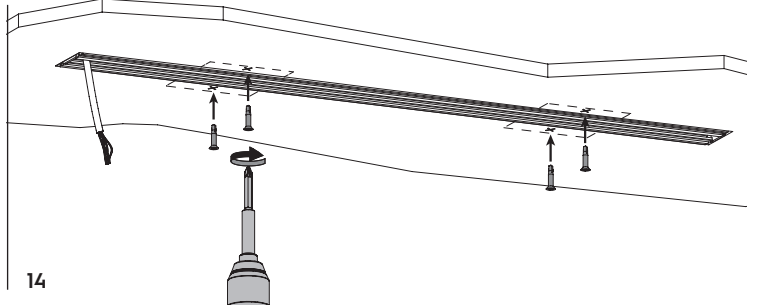
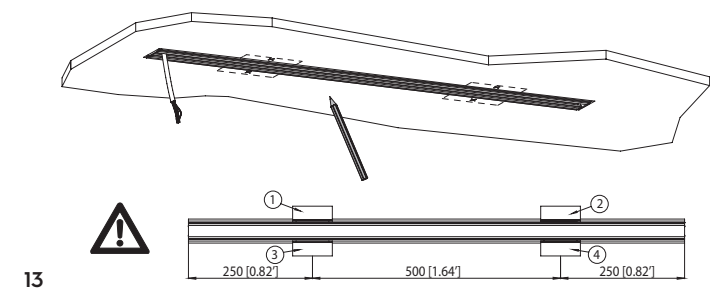
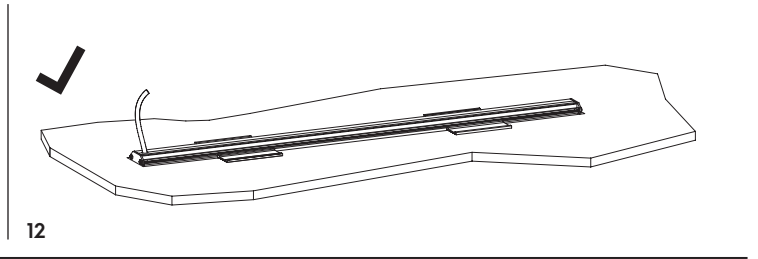
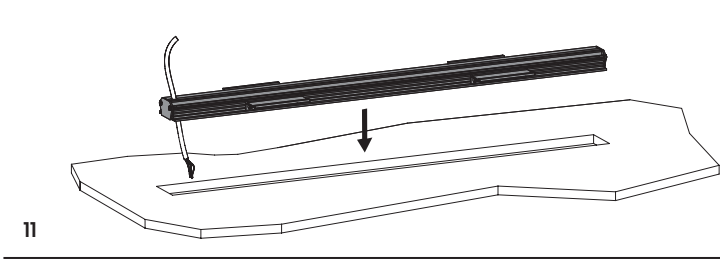
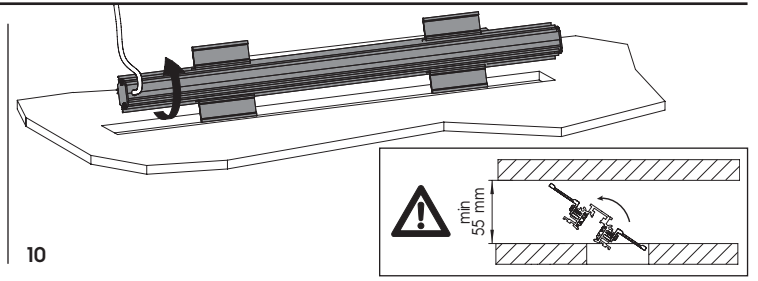
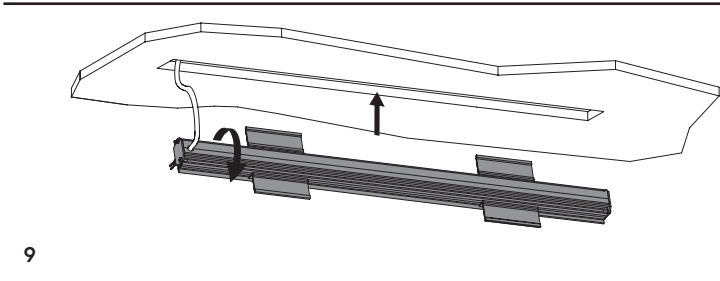
2 - USE

Trimless

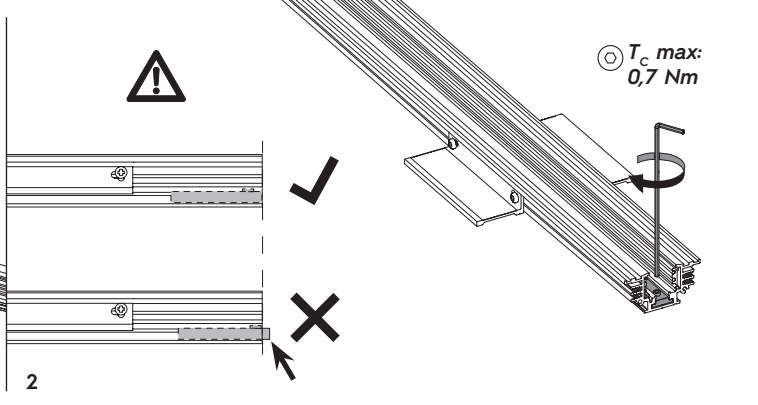
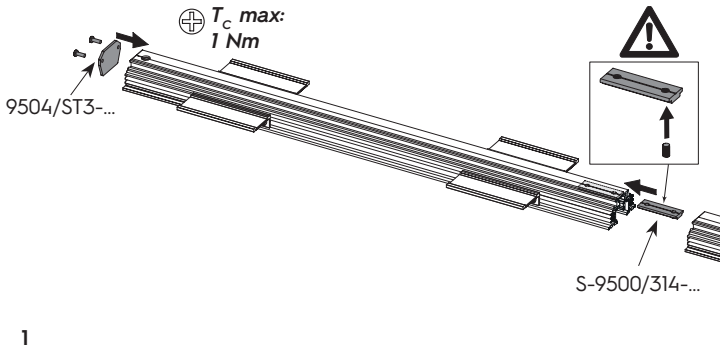


3 - TRIMLESS FIXING



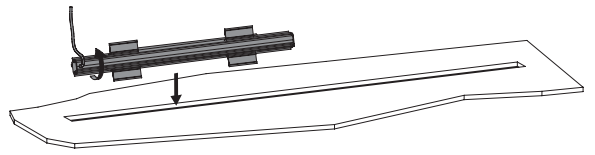


4 - IN ROW USE

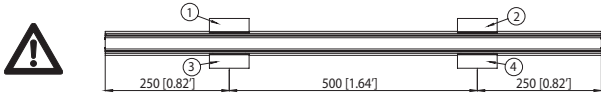




3



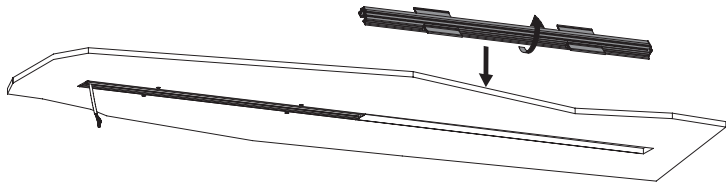
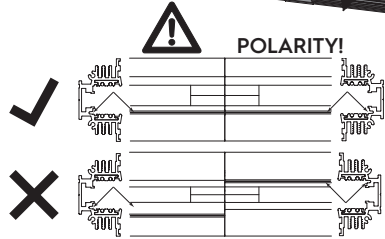
4



5

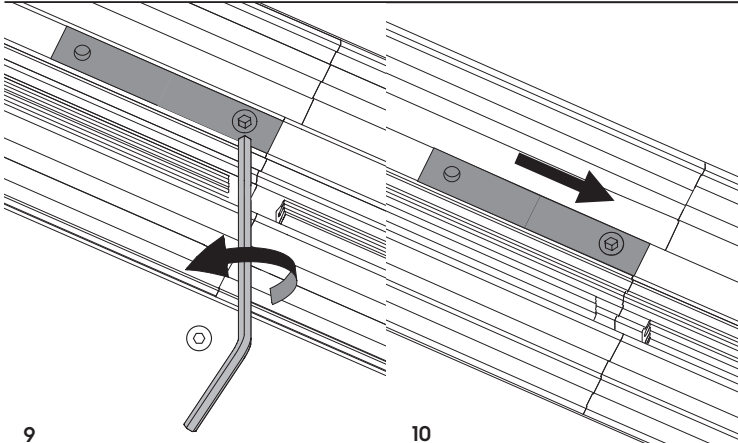
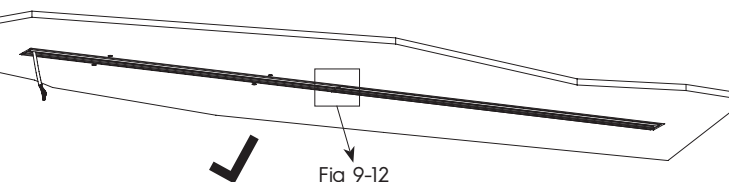


6



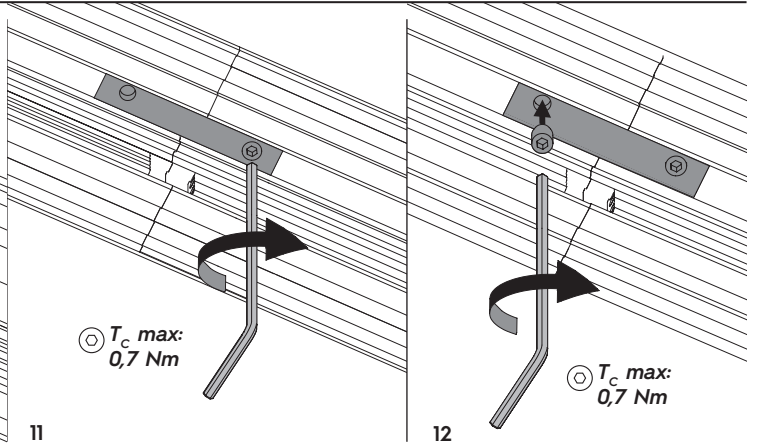
7

8



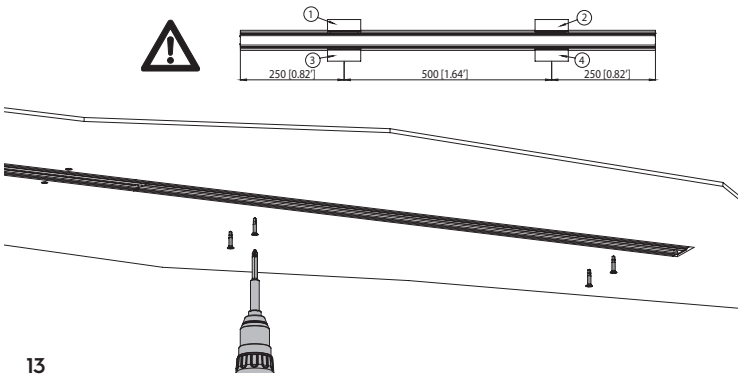
9

10

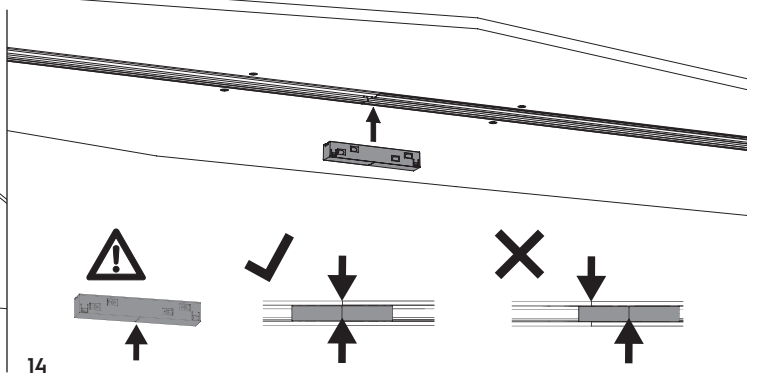


11

12

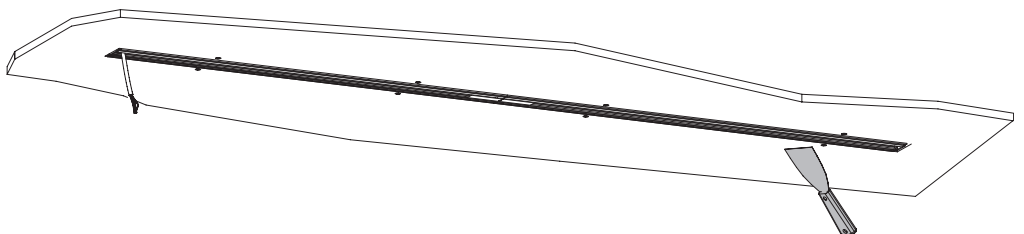


13



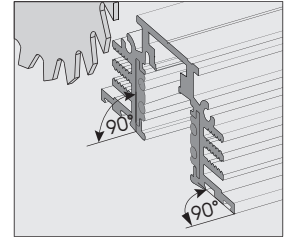
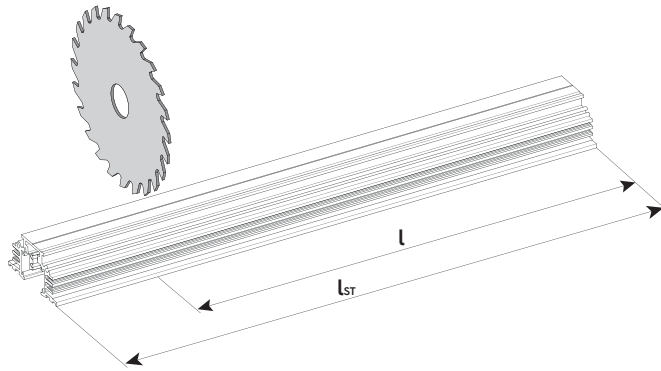
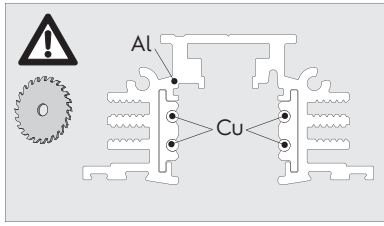
14

→ 3 Trimless fixing
fig. 16

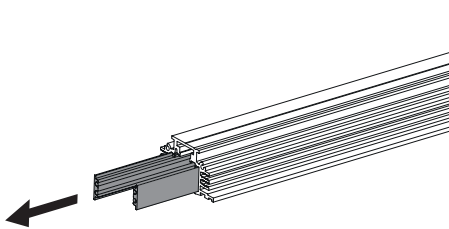


15

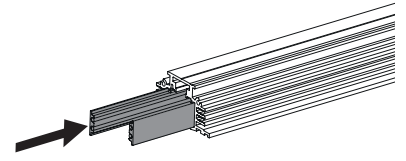
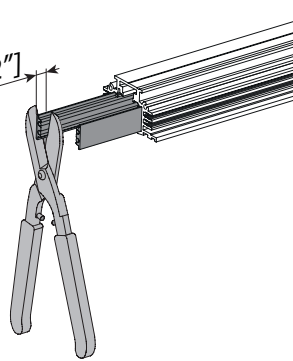
3 - CUTTING



1



5mm [0.2"]

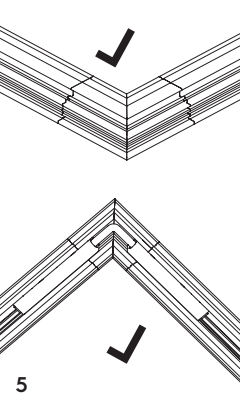
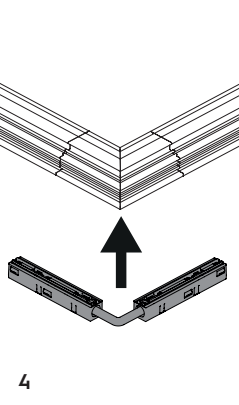
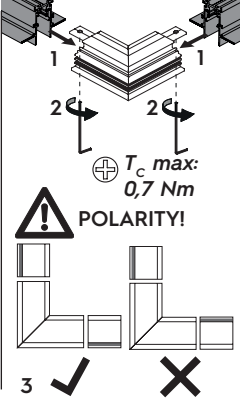
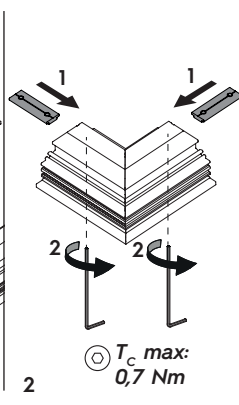
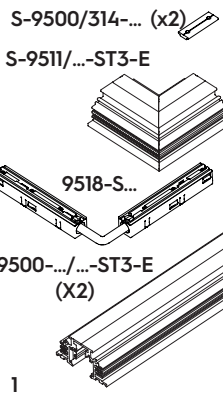
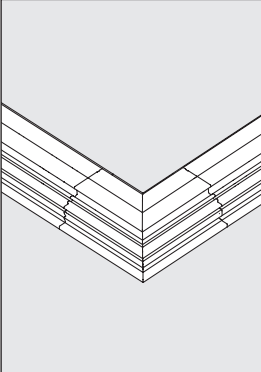


2

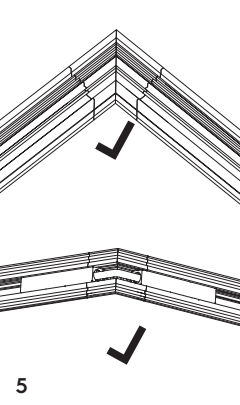
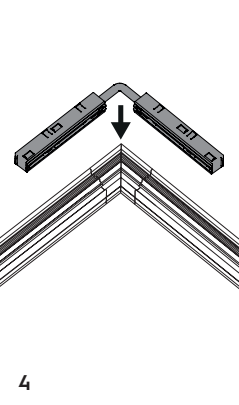
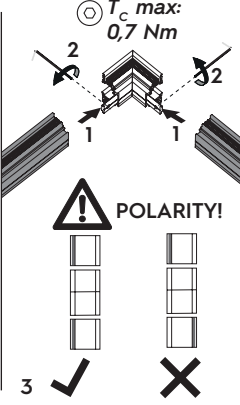
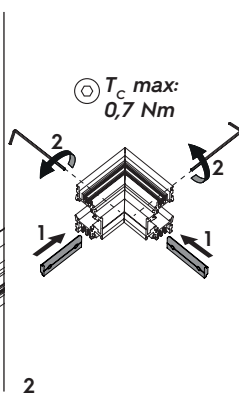
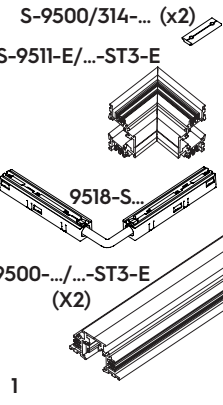
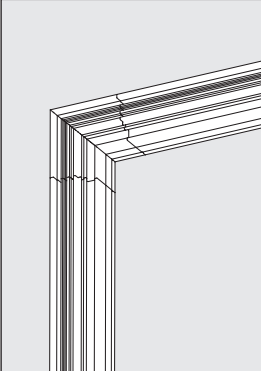
3

4

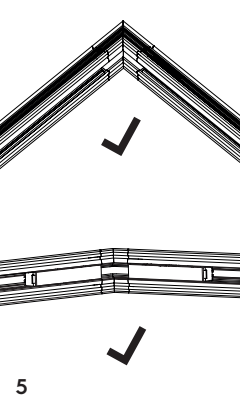
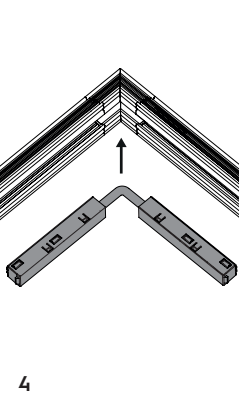
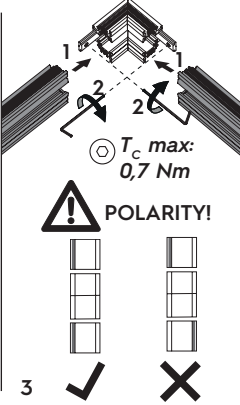
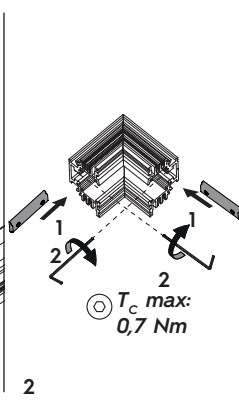
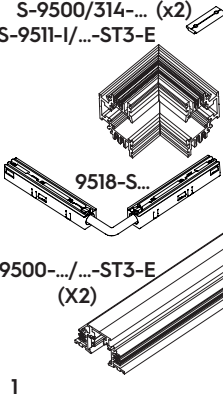
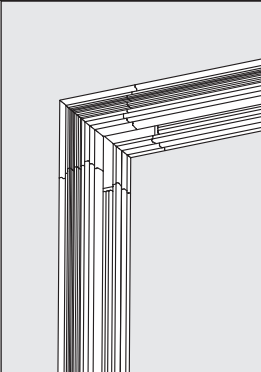
6 - S-9511/...-ST3-E



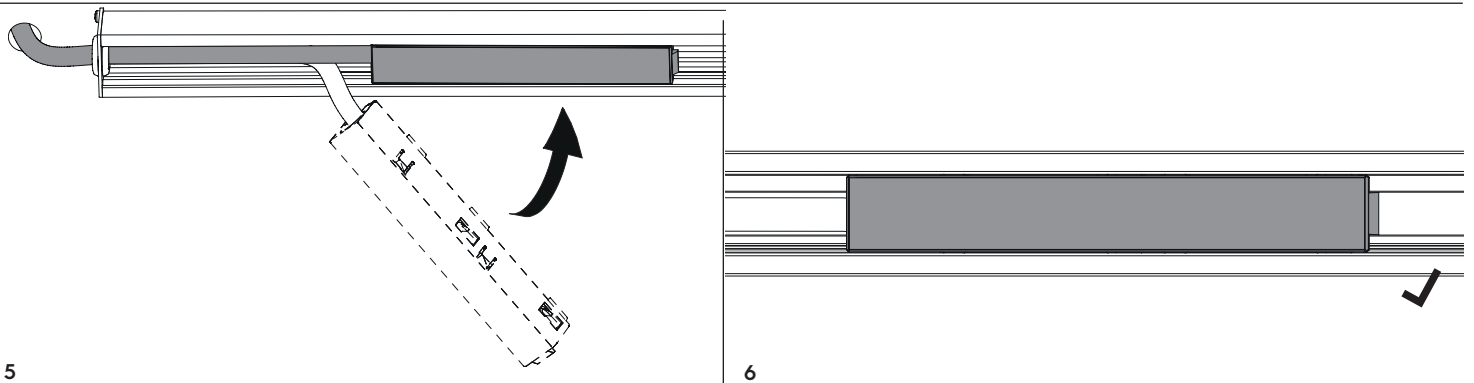
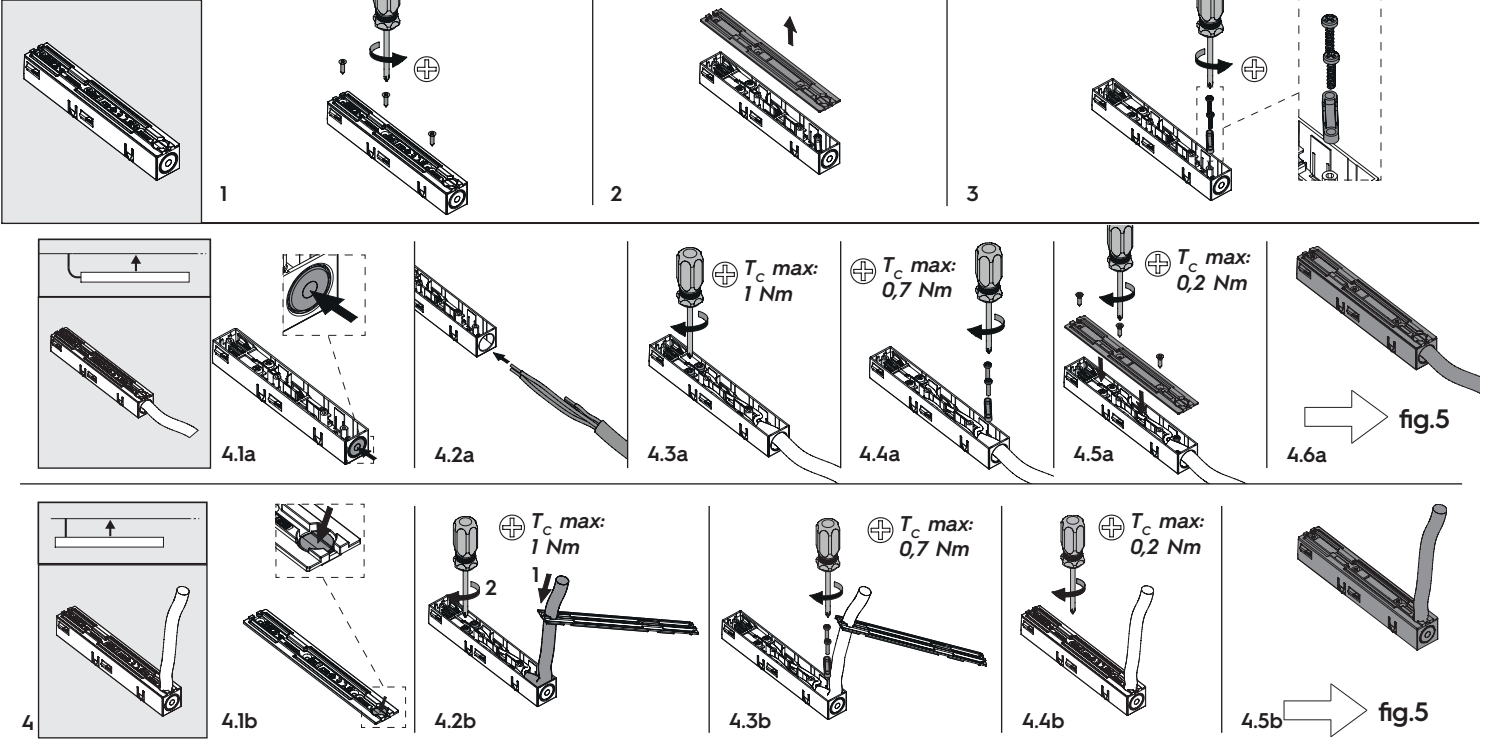
7 - S-9511-E/...-ST3-E



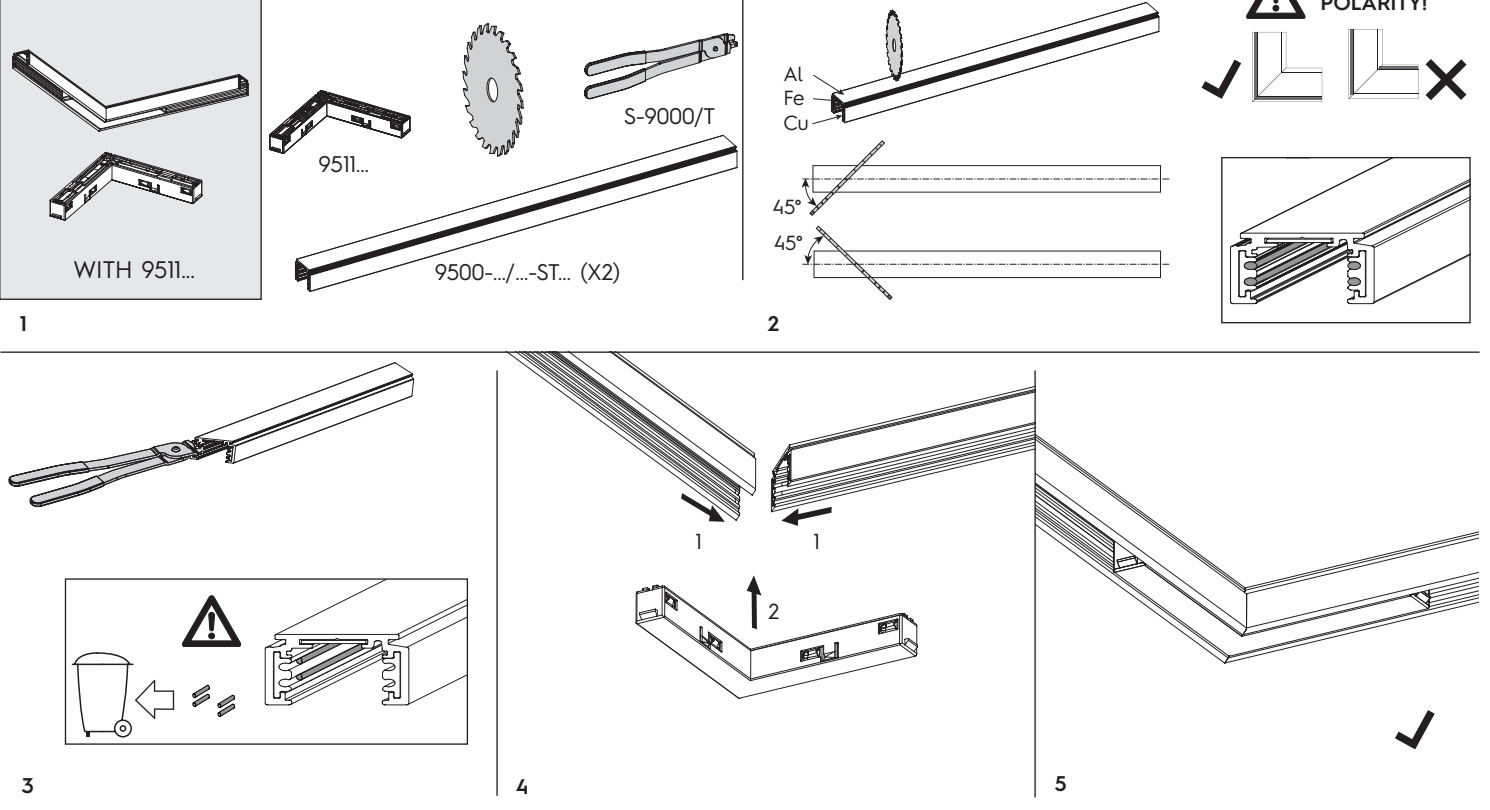
8 - S-9511-I/...-ST3-E



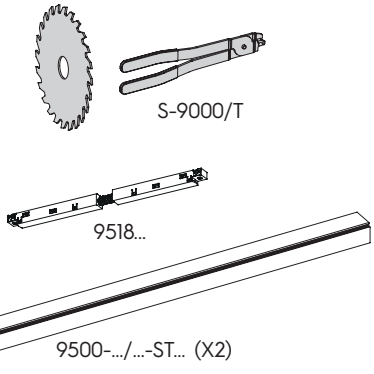
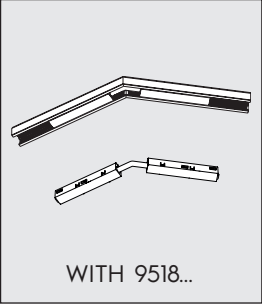
7 - 9501-S/...-E



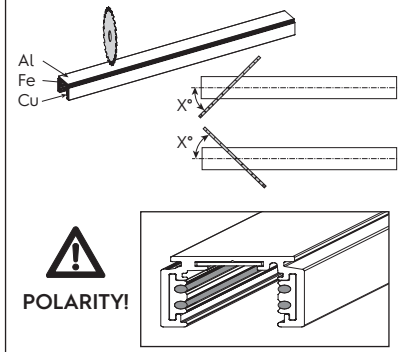
8 - 90° ANGLE



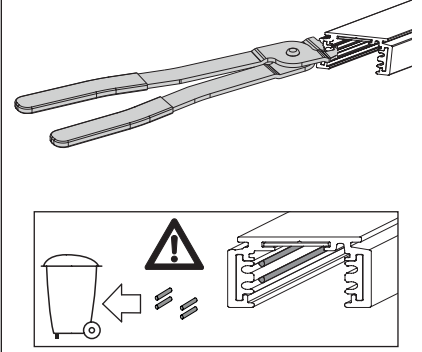
9 - ≠ 90° ANGLE



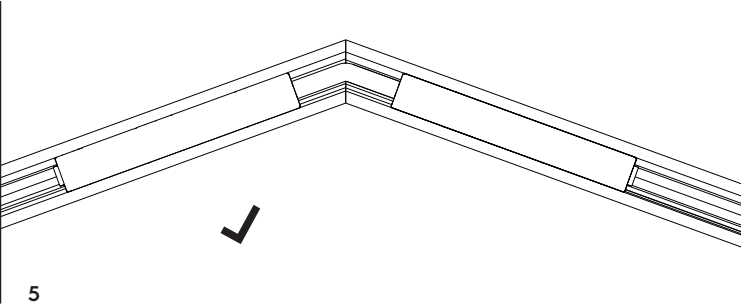
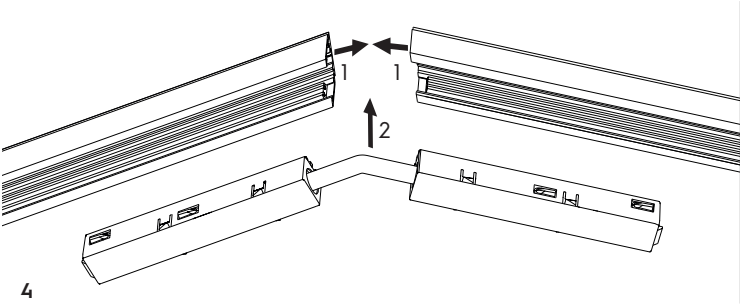
1



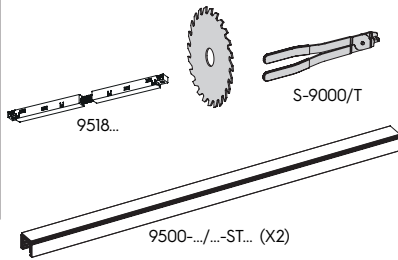
2



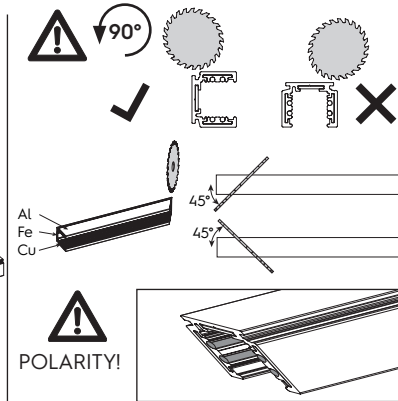
3



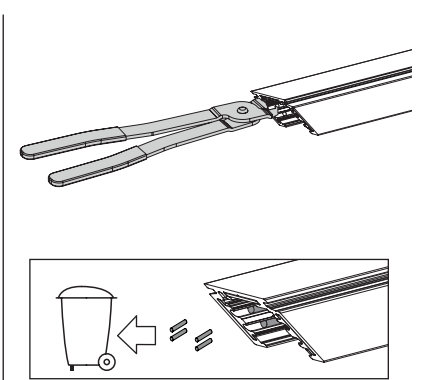
10 - WALL CEILING
90° ANGLE



1



2



3

