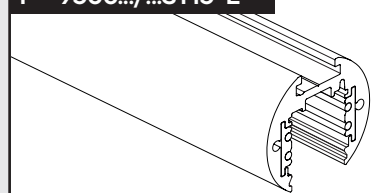
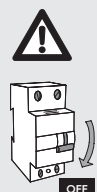




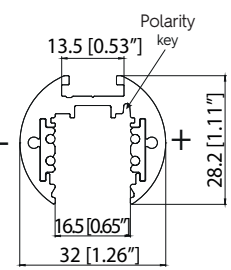
MULTISYSTEM evo

ST15-E

1 - 9500.../...ST15-E

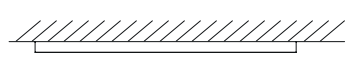


CODE	L mm [ft]	
9500-1/...ST15-E	1000 [3.28']	
9500-2/...ST15-E	2000 [3.28']	
9500-3/...ST15-E	3000 [3.28']	

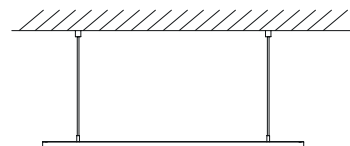


2 - USE

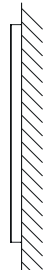
Ceiling



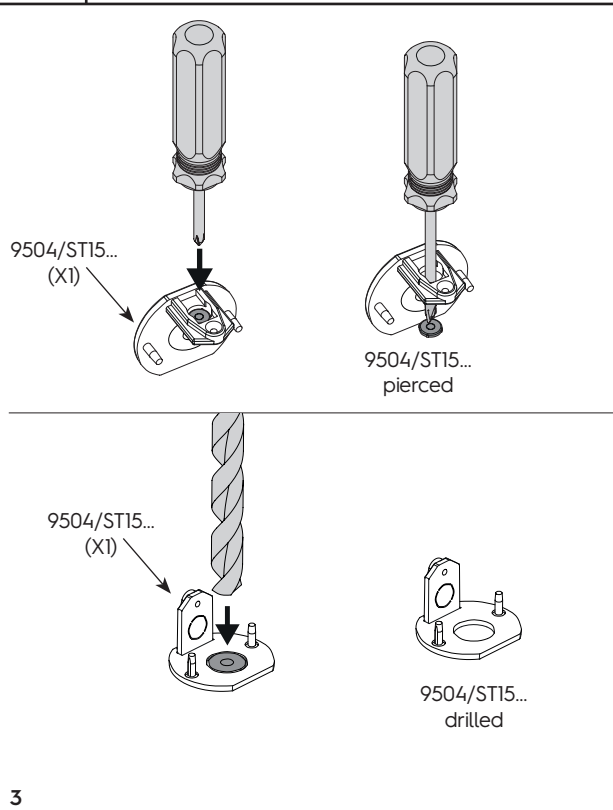
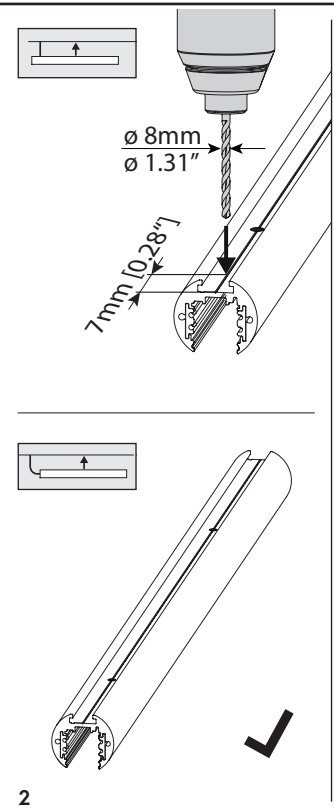
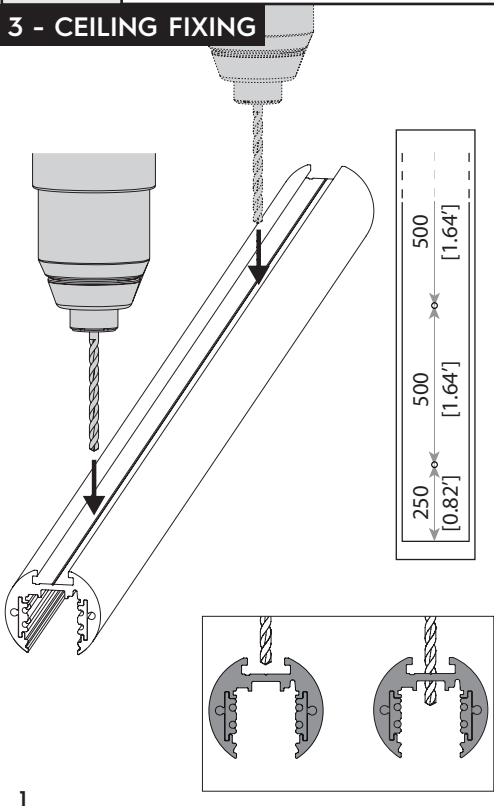
Suspended



Wall



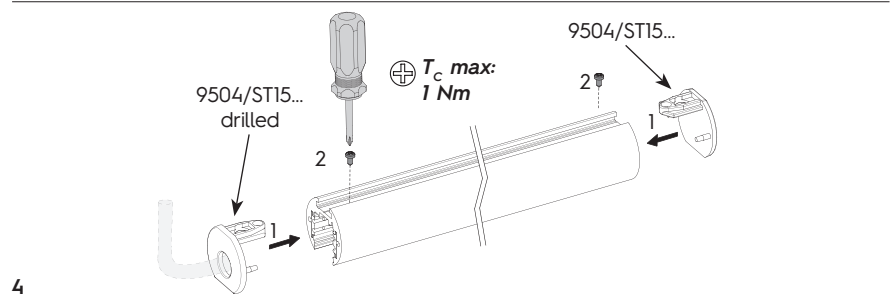
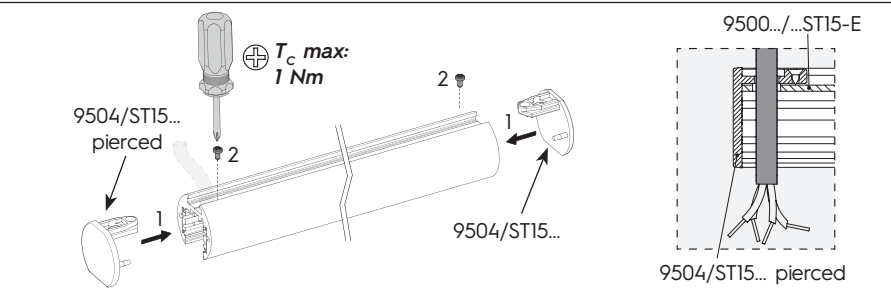
3 - CEILING FIXING



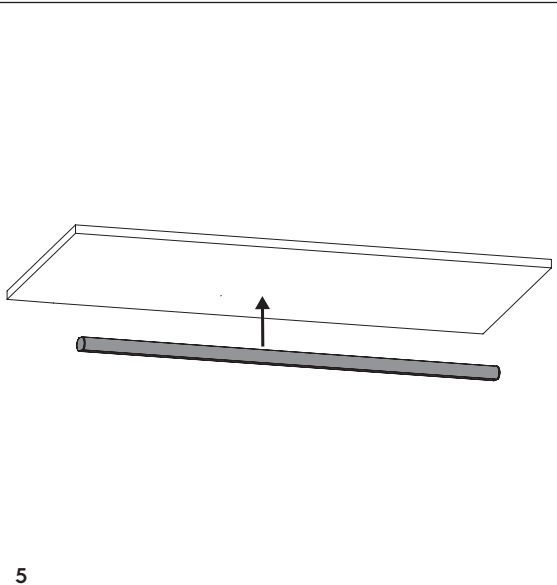
1

2

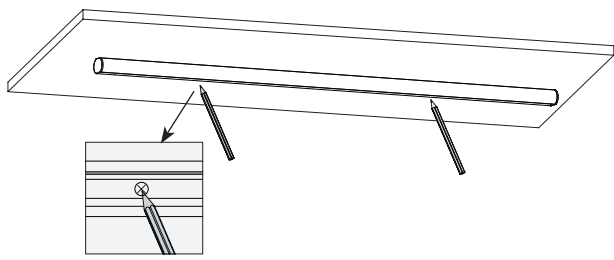
3



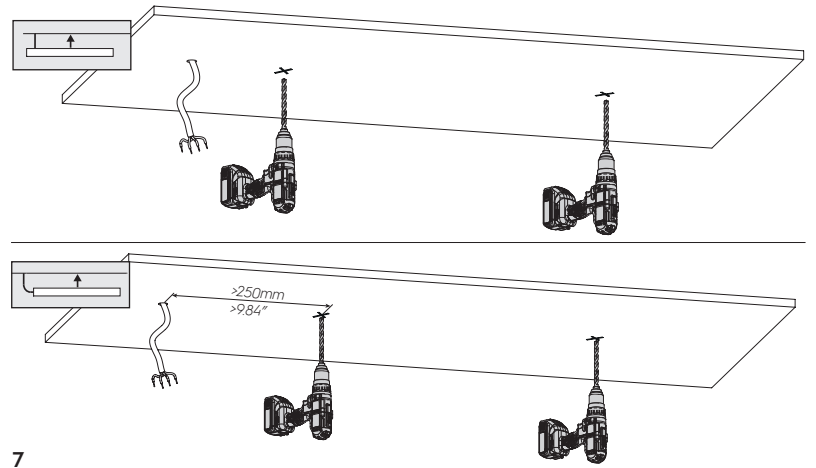
4



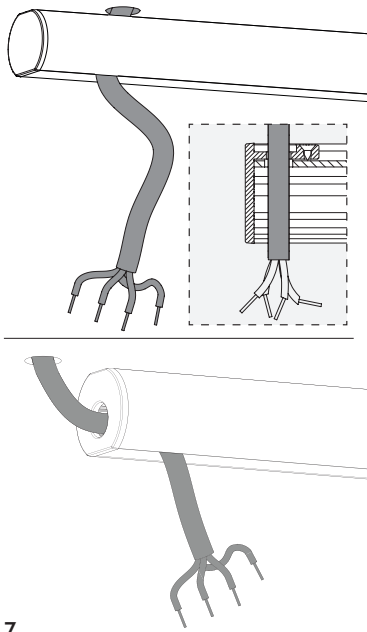
5



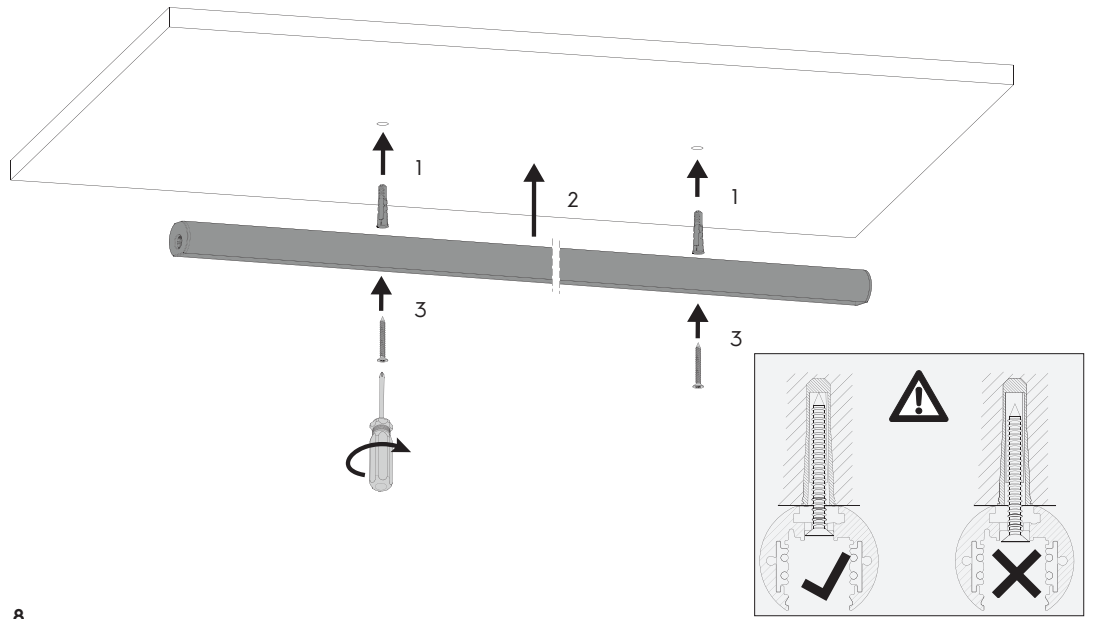
6



7

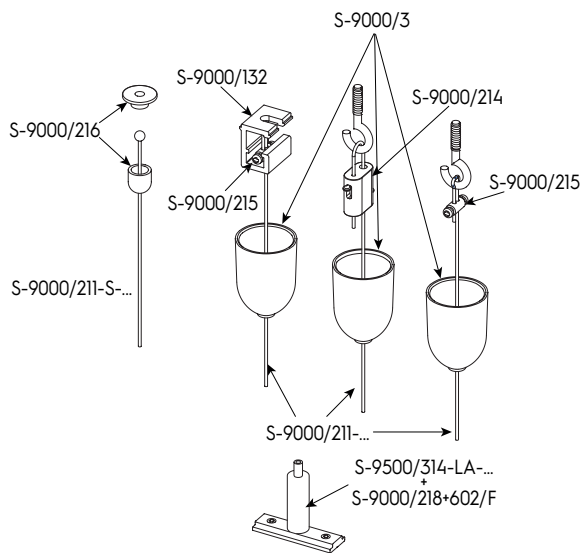


7



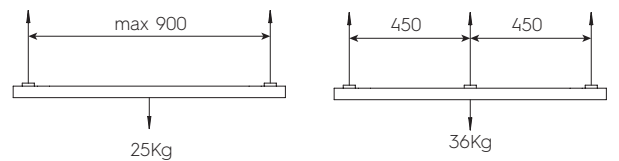
8

4 - SUSPENDED FIXING

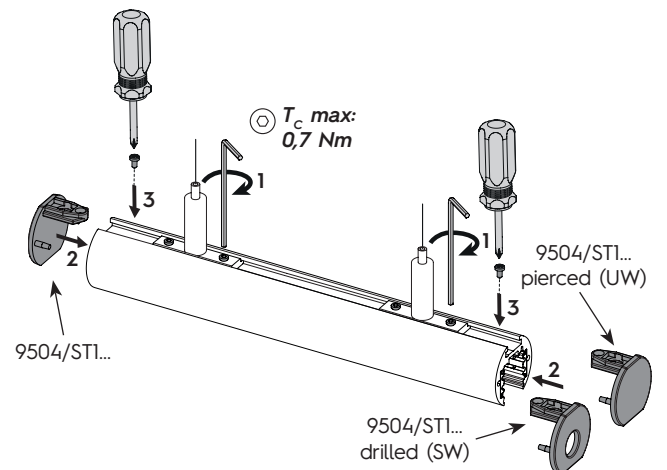


1

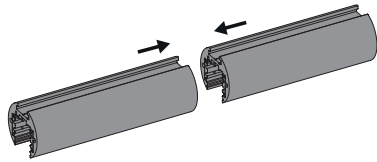
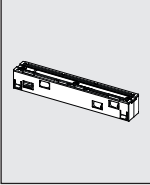
MAX LOAD



2



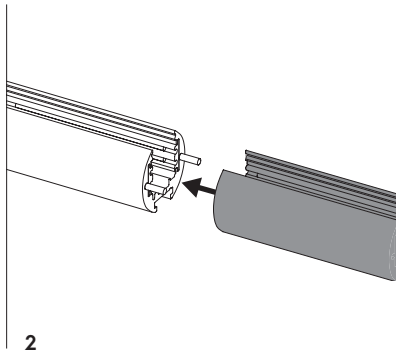
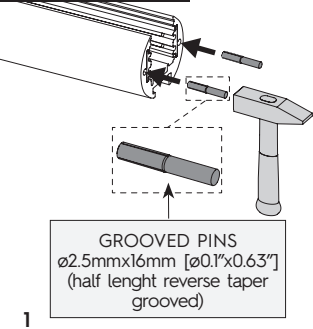
5 - 9503...



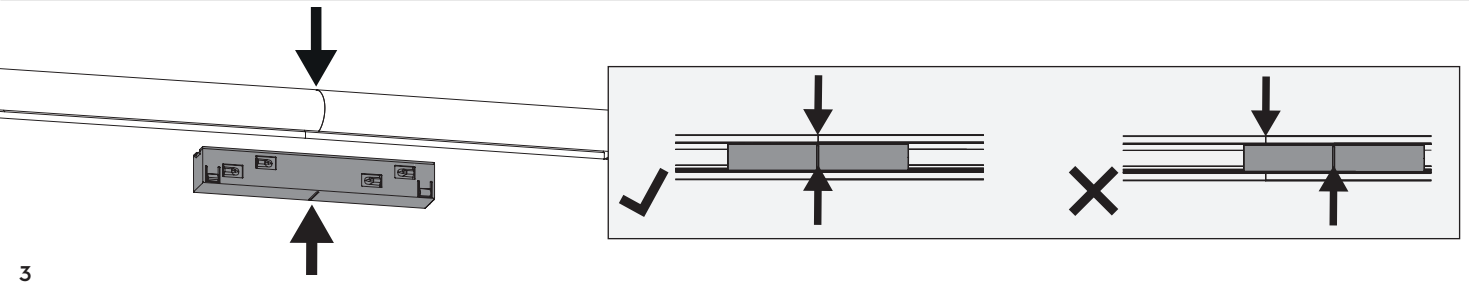
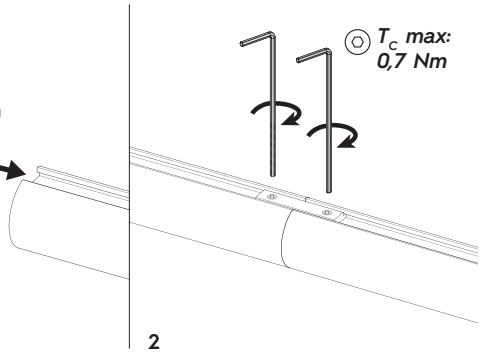
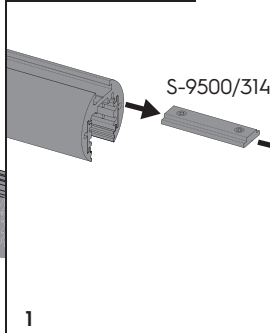
TRACK POLARITY



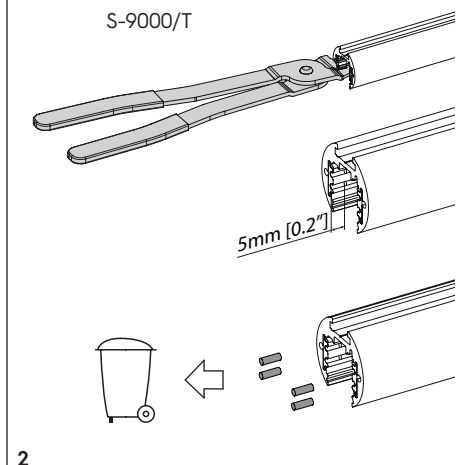
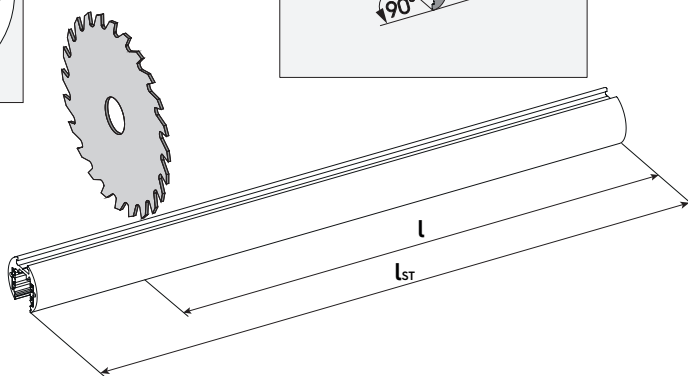
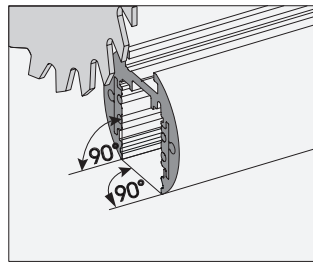
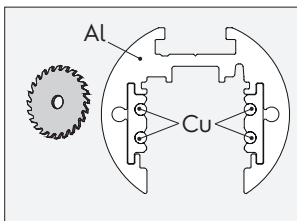
5a - Ceiling



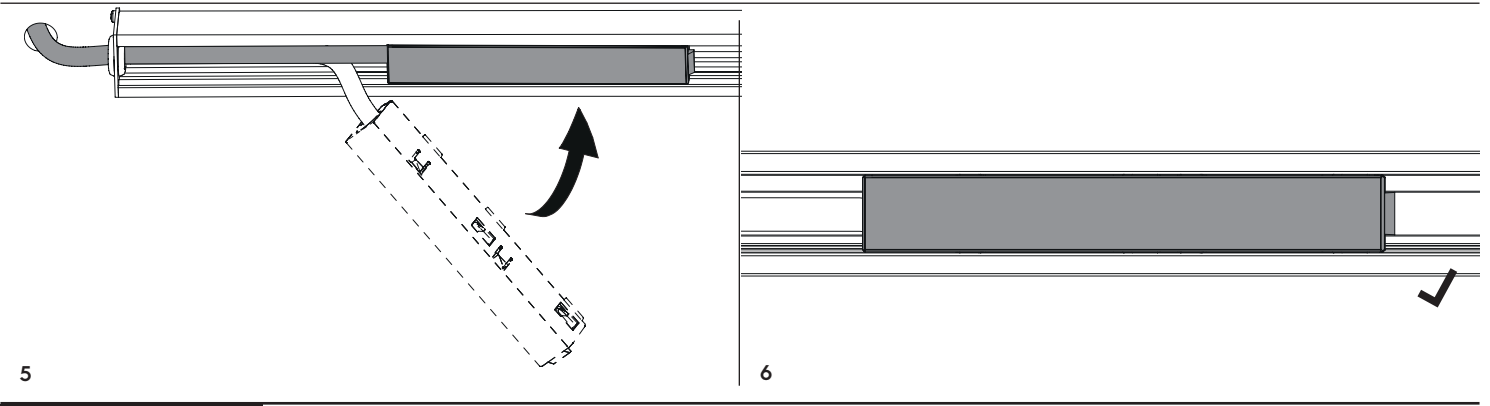
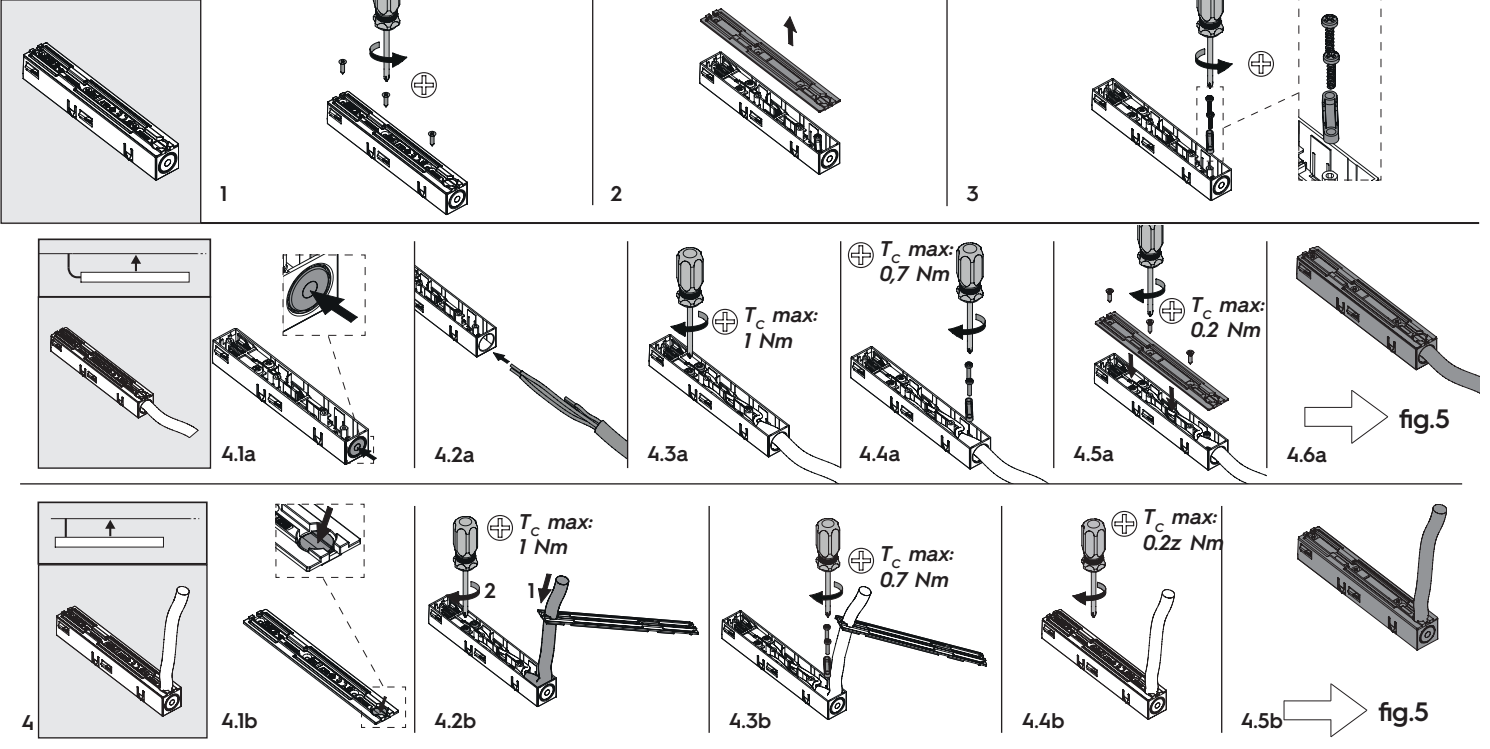
5b Suspended



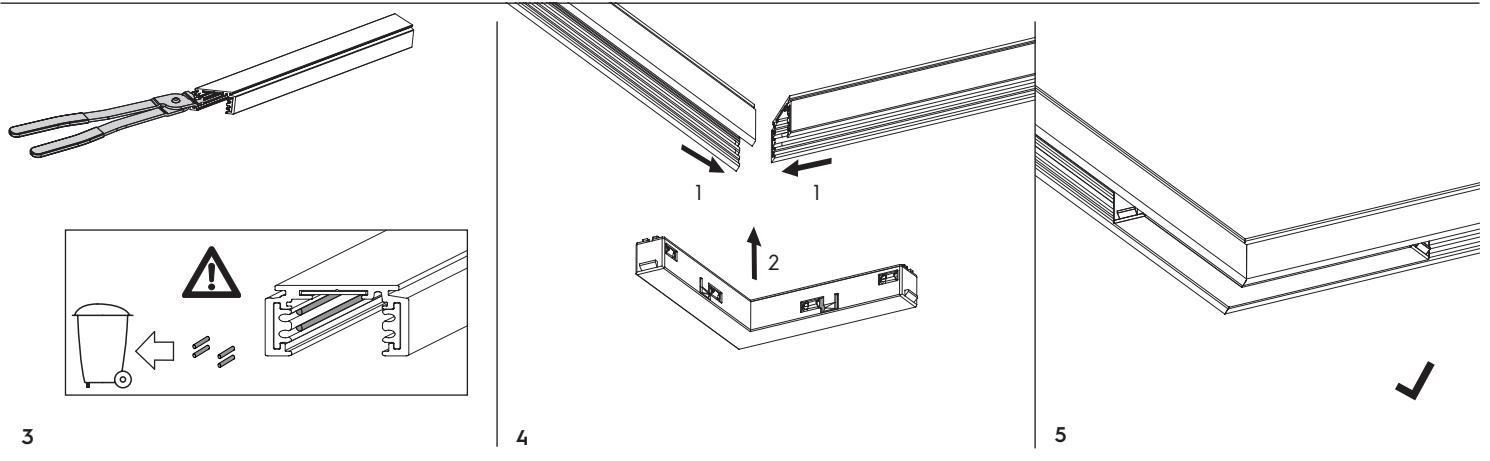
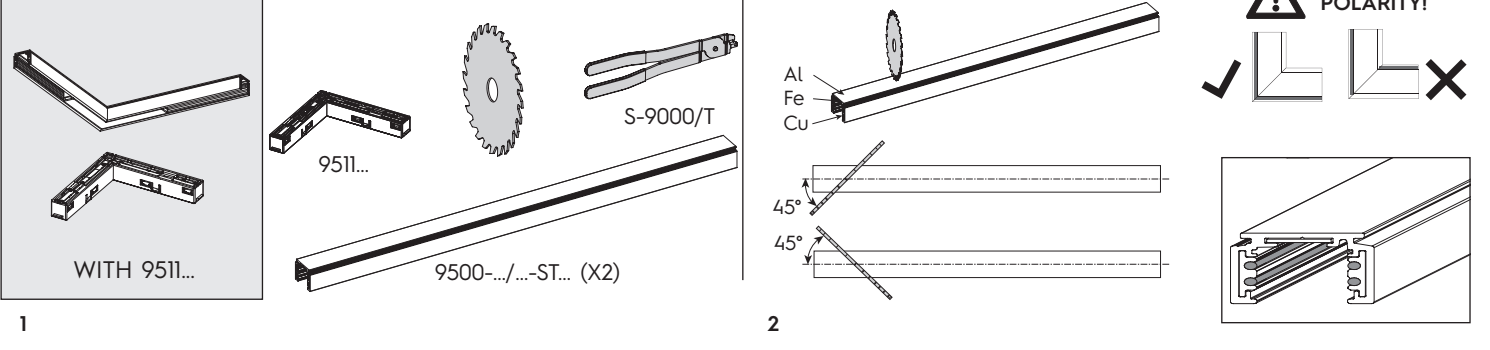
6 - CUTTING



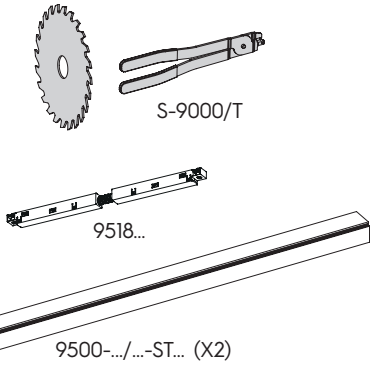
7 - 9501-S/...-E



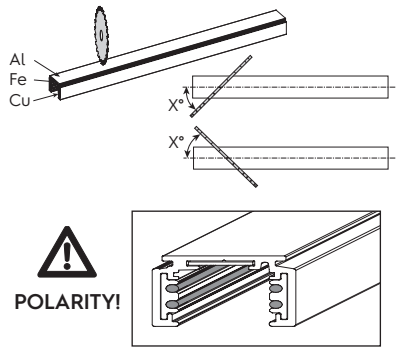
8 - 90° ANGLE



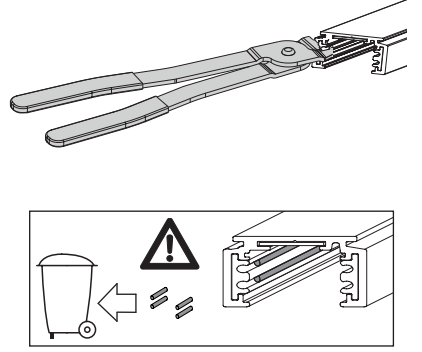
9 - ≠ 90° ANGLE



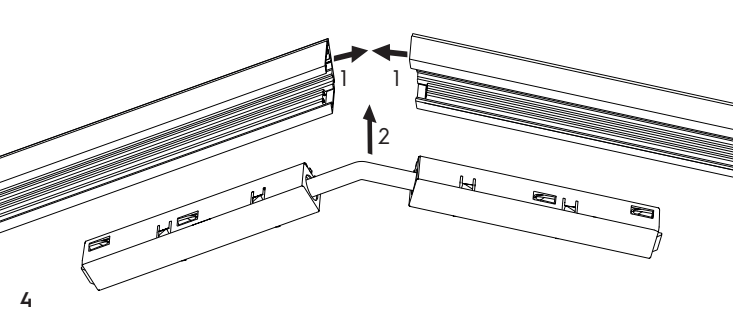
1



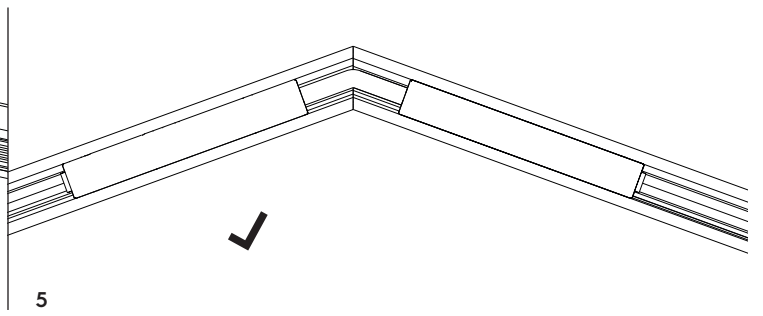
2



3

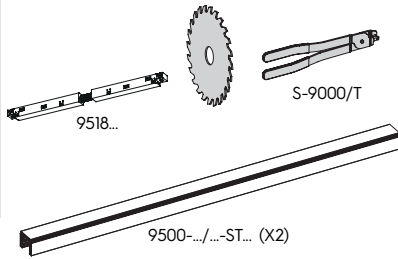


4

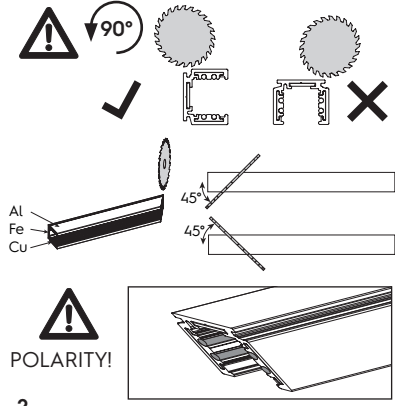


5

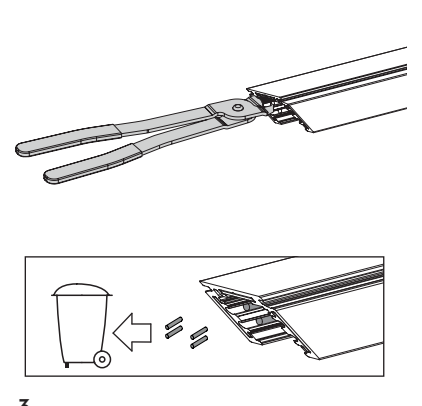
**10 - WALL CEILING
90° ANGLE**



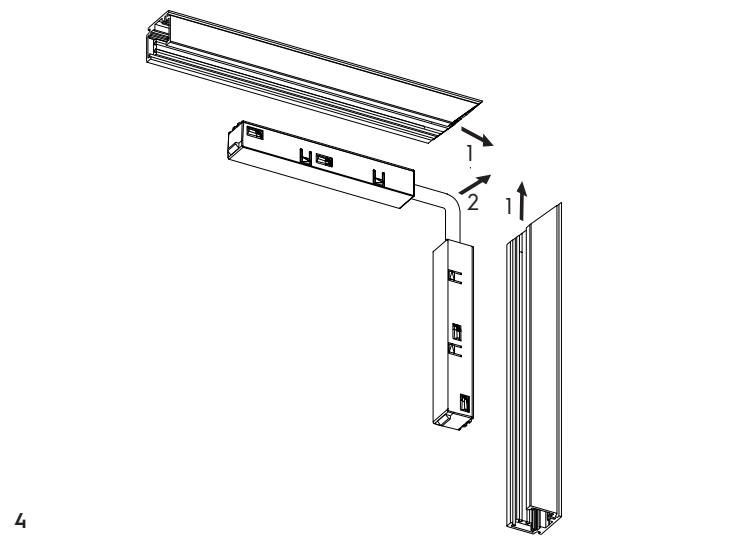
1



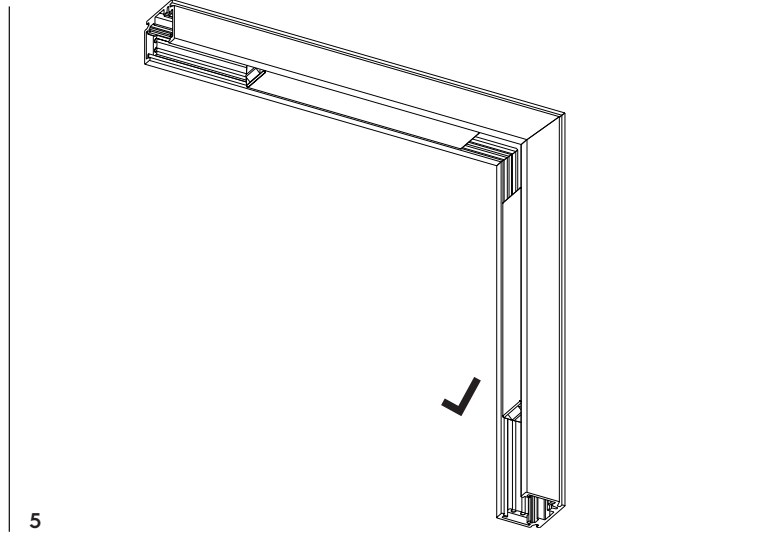
2



3



4



5