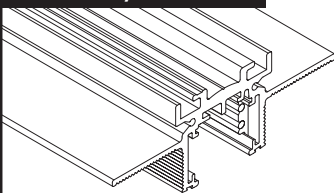


ST13-E

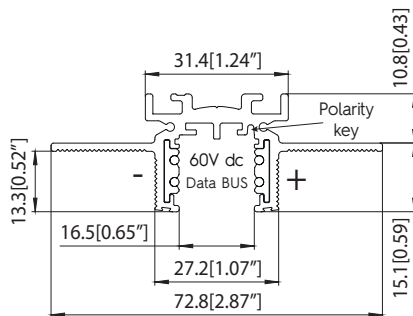
MULTISYSTEM evo



1 - 9500-.../...ST13-E

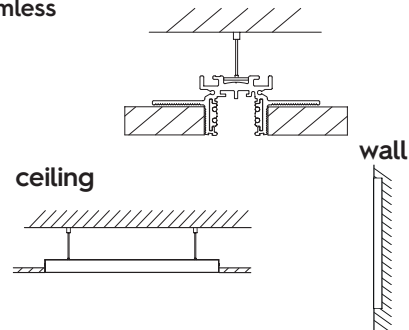


CODE	L mm [ft]
9500-1/...ST13-E	1000 [3.28]
9500-2/...ST13-E	2000 [3.28]
9500-3/...ST13-E	3000 [3.28]



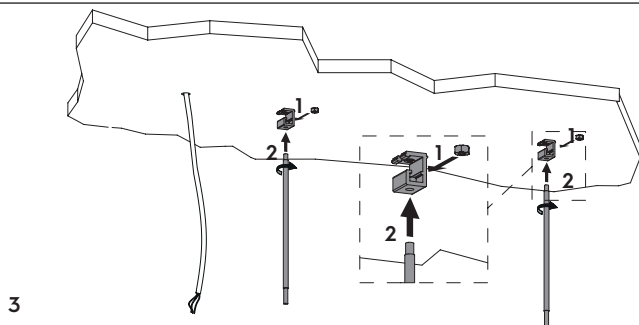
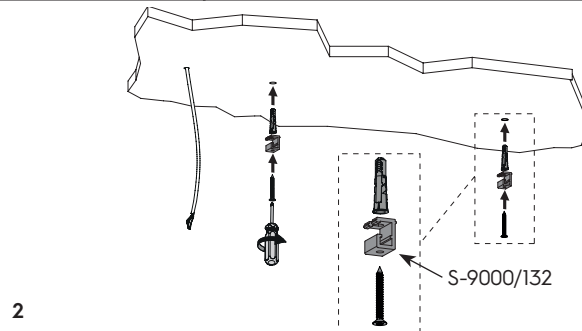
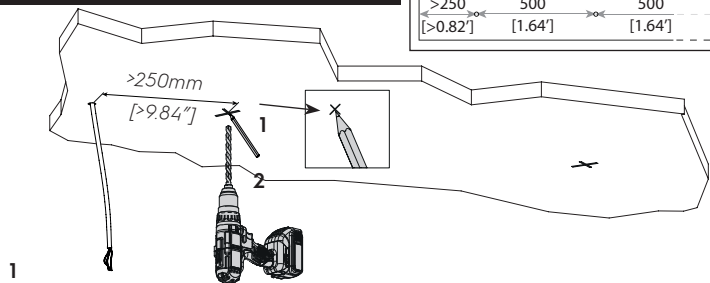
2 - USE

Trimless

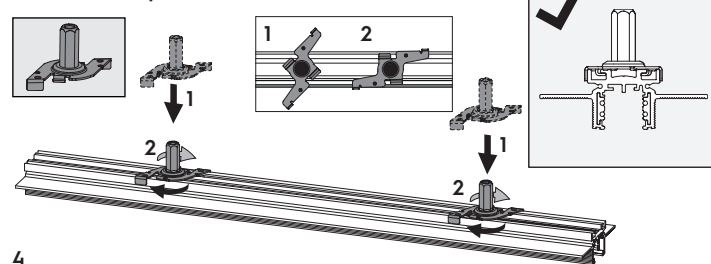


3 - TRIMLESS FIXING

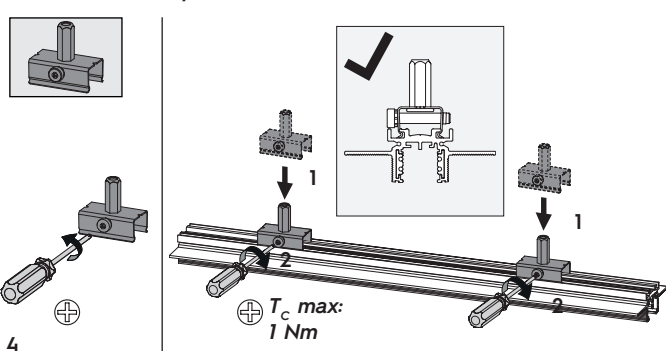
>250 [>0.82]	500 [1.64]	500 [1.64]
-----------------	---------------	---------------



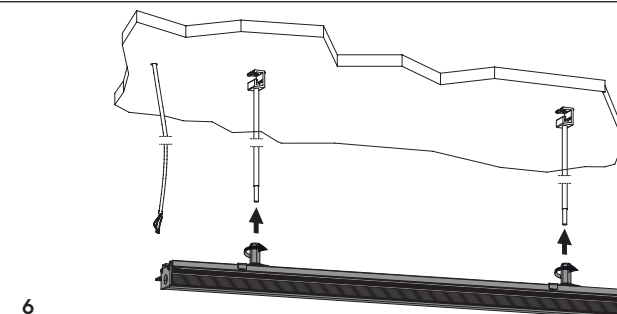
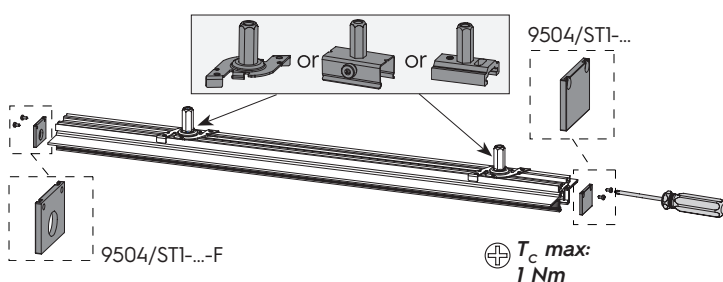
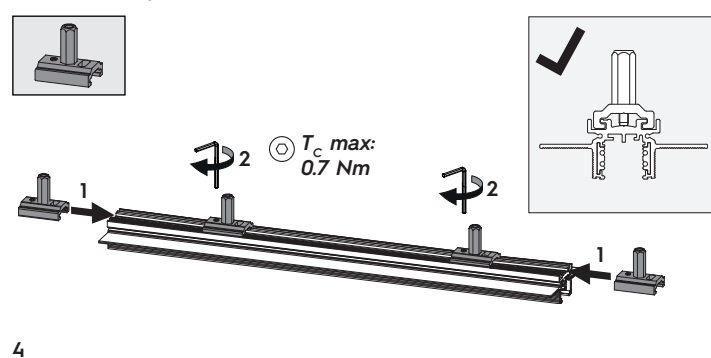
With S-9000/118...

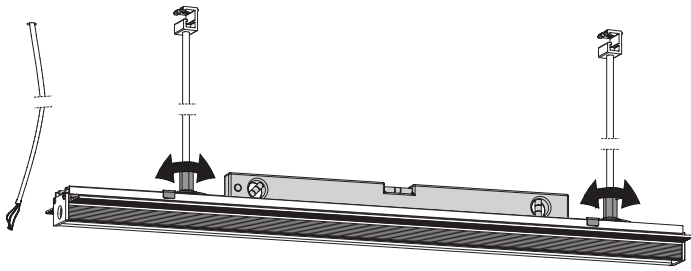


With S-9000-P2/117

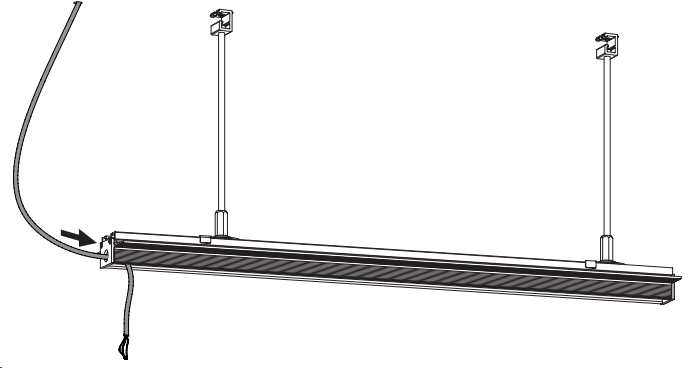


With S-9000/312-M6

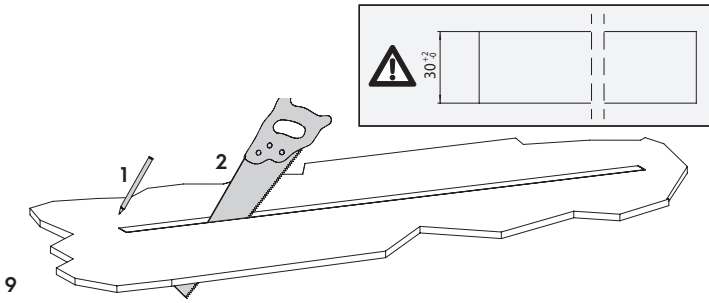




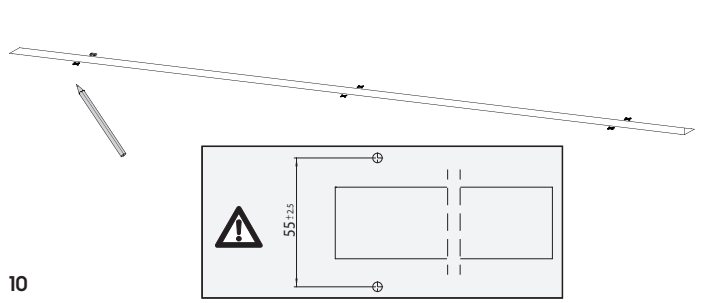
7



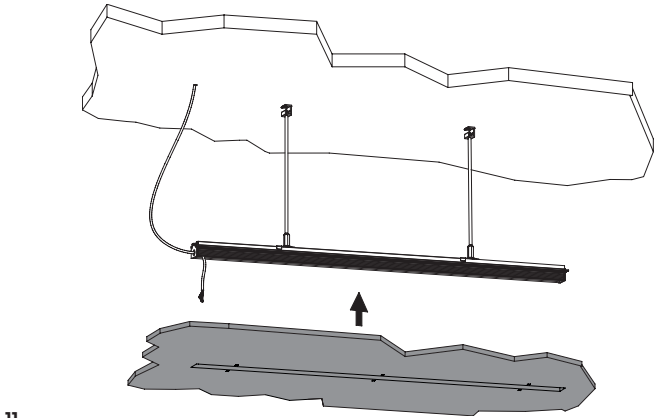
8



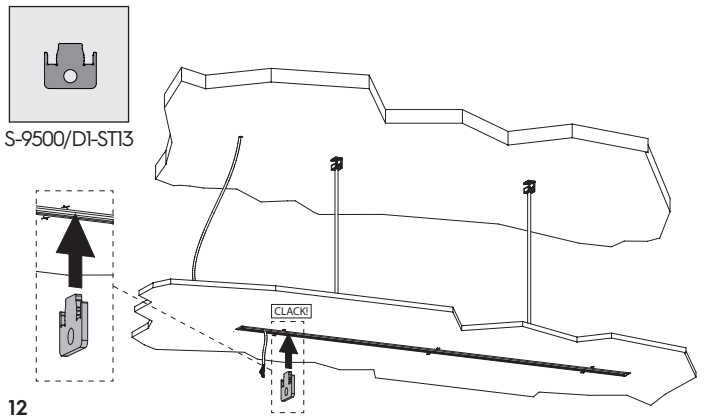
9



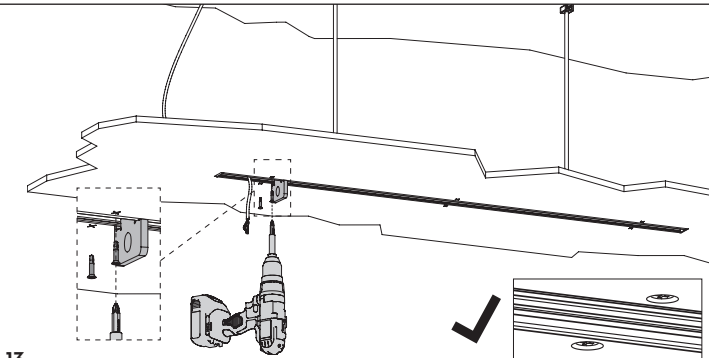
10



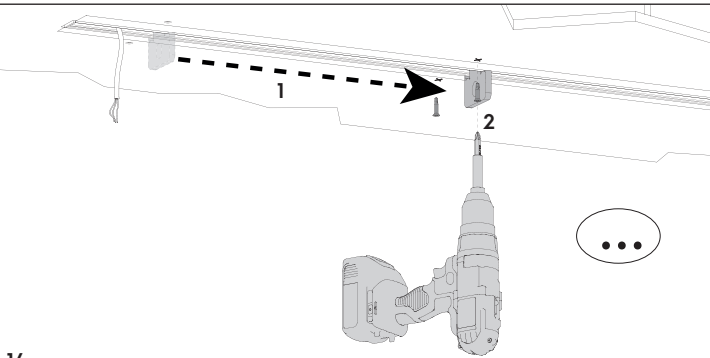
11



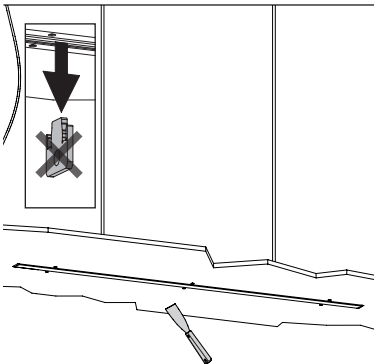
12



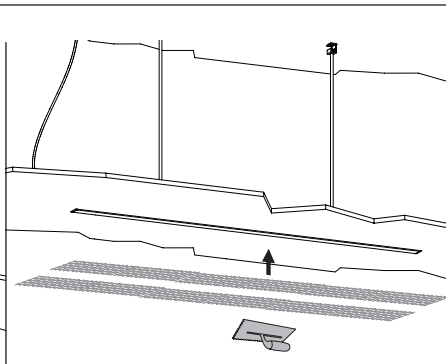
13



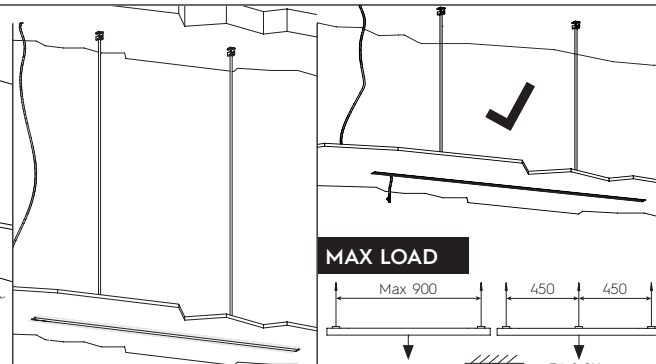
14



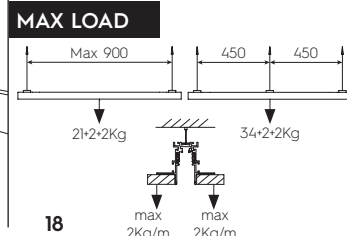
15



16

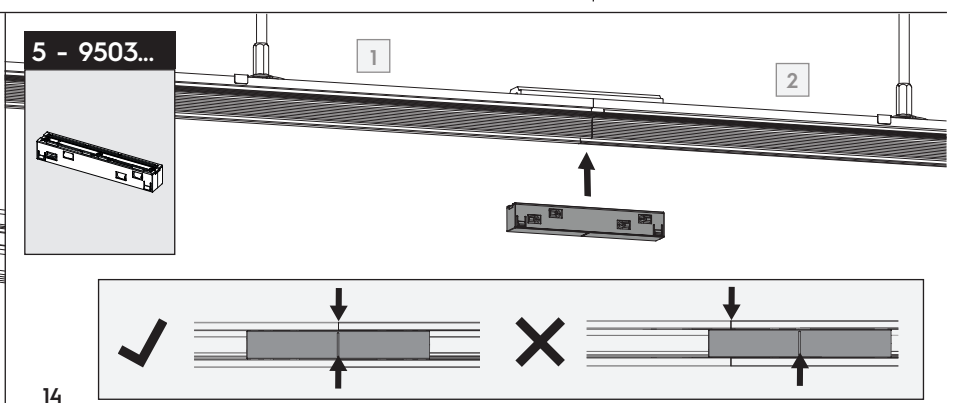
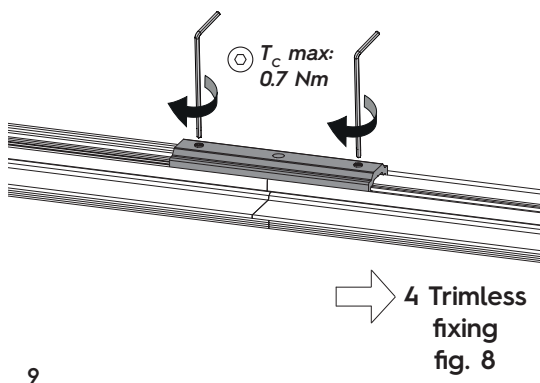
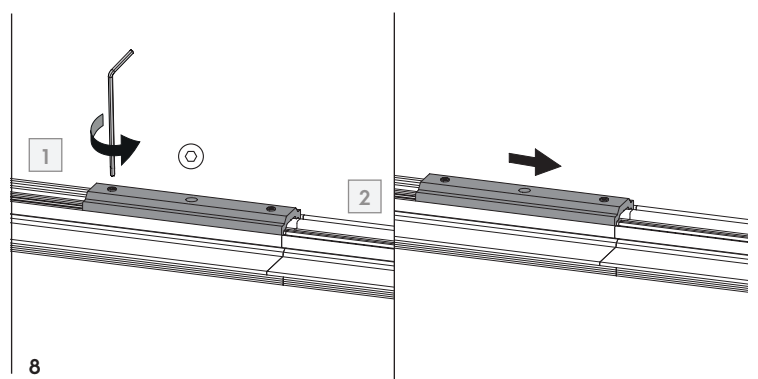
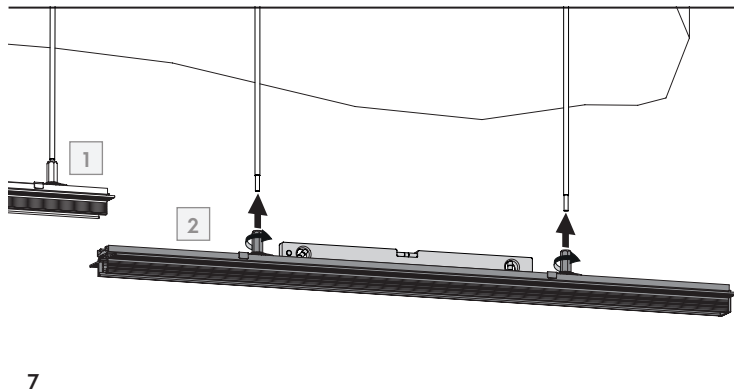
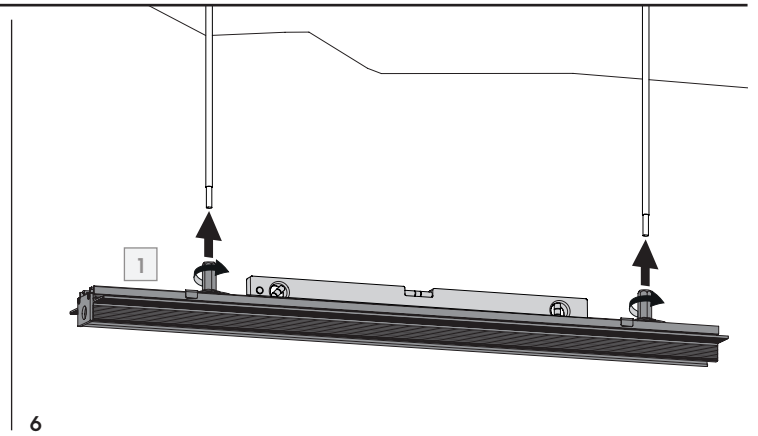
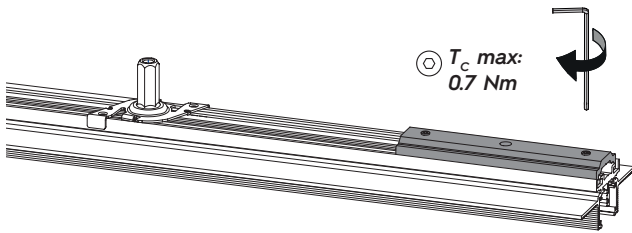
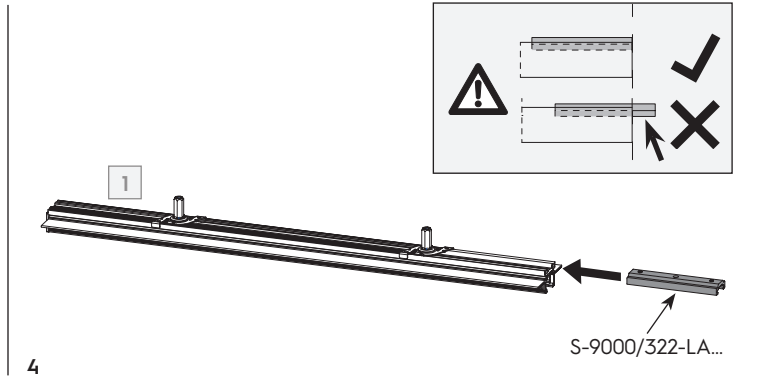
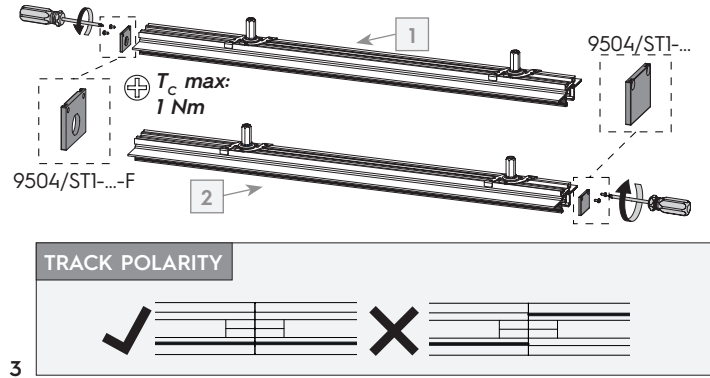
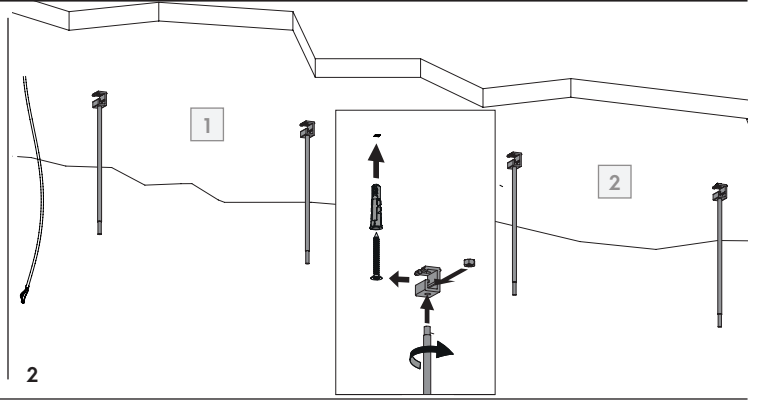
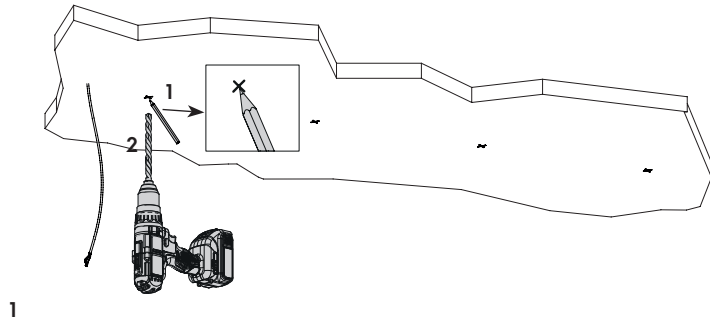


17

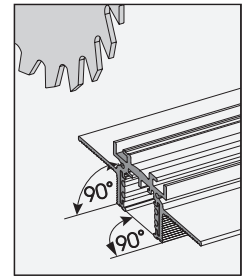
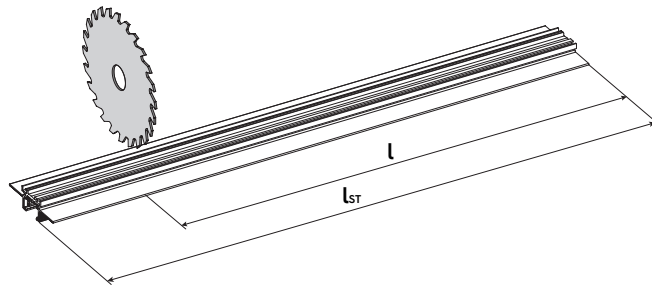
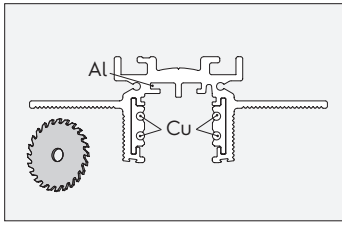


18

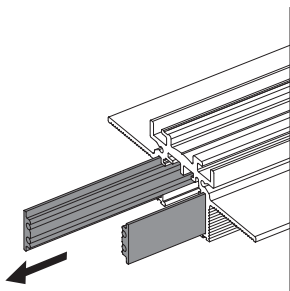
4 - IN ROW USE



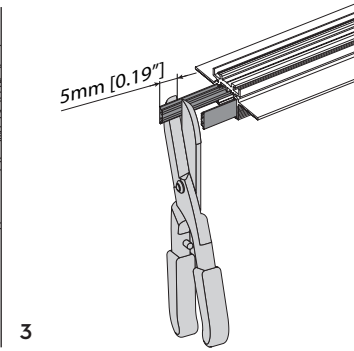
5 - CUTTING



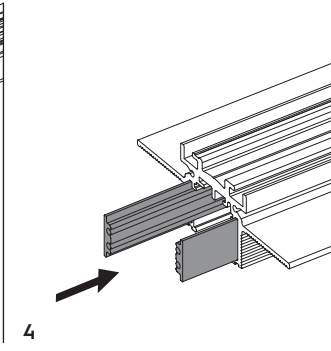
1



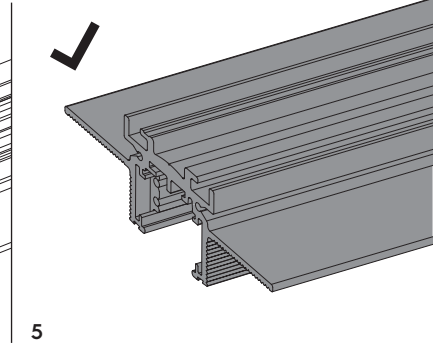
2



3

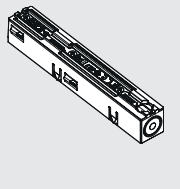


4

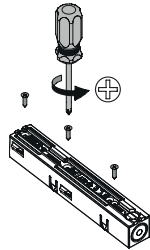


5

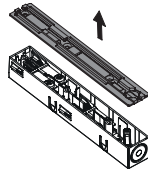
9 - 9501-S/...-E



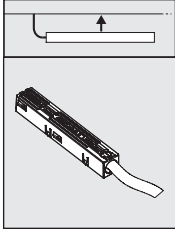
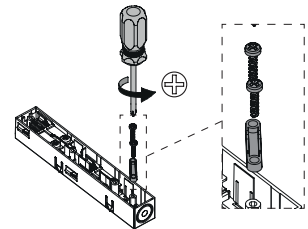
1



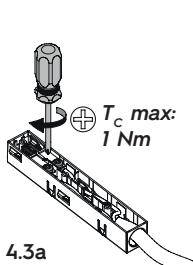
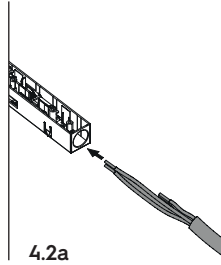
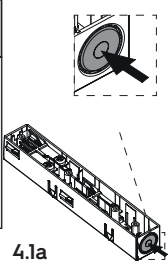
2



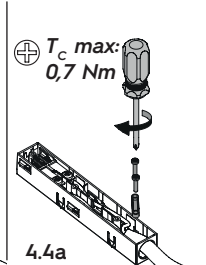
3



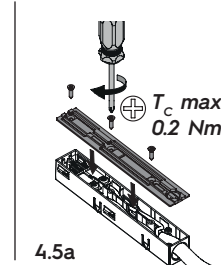
4.1a



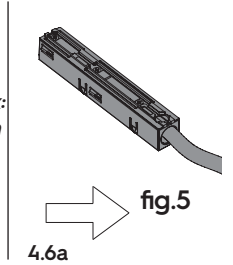
4.3a



4.4a

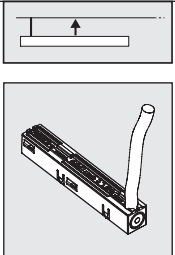


4.5a

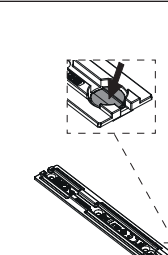


4.6a

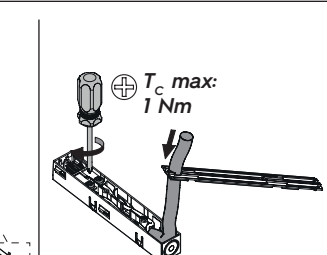
fig.5



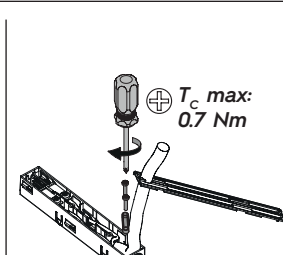
4



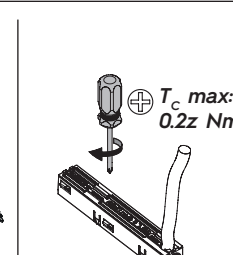
4.1b



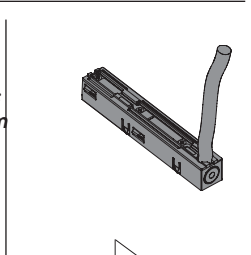
4.2b



4.3b

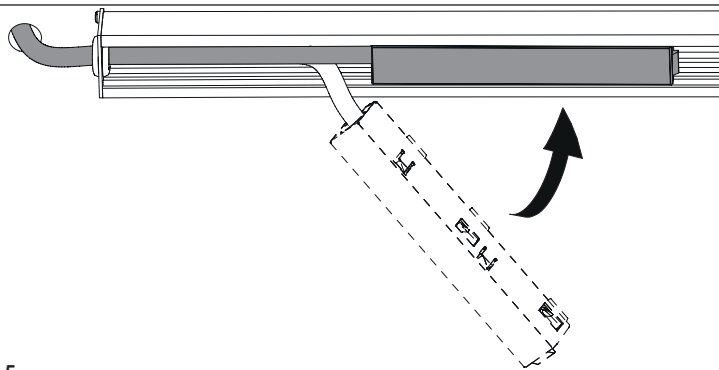


4.4b

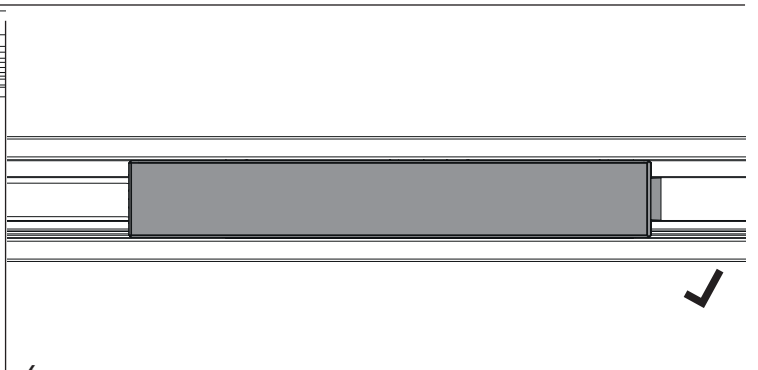


4.5b

fig.5



5



6

10 - 90° ANGLE

WITH 9511...

9511...

S-9000/T

9500-.../...-ST... (X2)

Al
Fe
Cu

45°

45°

! POLARITY!

1

2

3

4

5

11 - 90° ANGLE

WITH 9518...

9518...

S-9000/T

9500-.../...-ST... (X2)

Al
Fe
Cu

X°

X°

! POLARITY!

3

4

5

4

5

12 - WALL CEILING 90° ANGLE

WITH 9518...

9518...

S-9000/T

9500-.../...-ST... (X2)

Al
Fe
Cu

90°

45°

45°

! POLARITY!

3

4

5

4

5