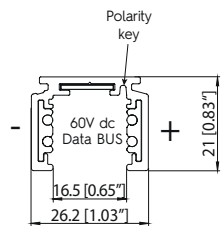
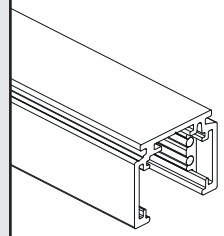
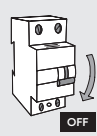


# MULTISYSTEM evo



## STI-E

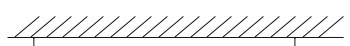
### 1 - 9500-.../...-STI



CODE	L mm [ft]	
9500-1/...-STI-E	1000 [3.28']	
9500-2/...-STI-E	2000 [3.28']	
9500-3/...-STI-E	3000 [3.28']	

### 2 - USE

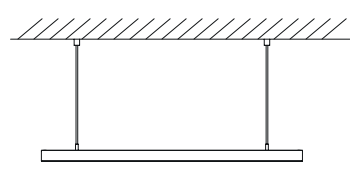
Ceiling



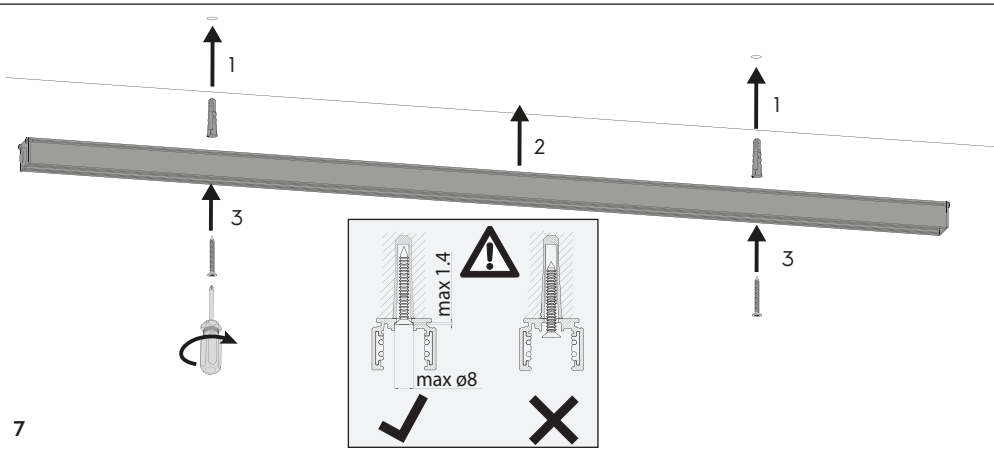
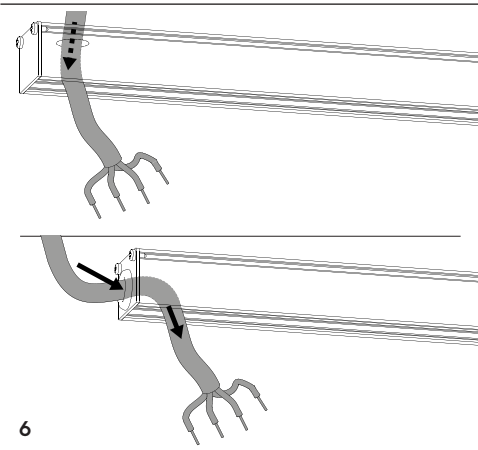
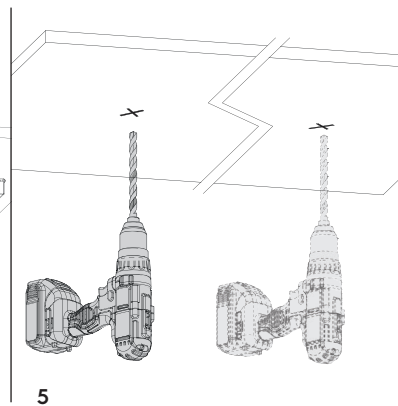
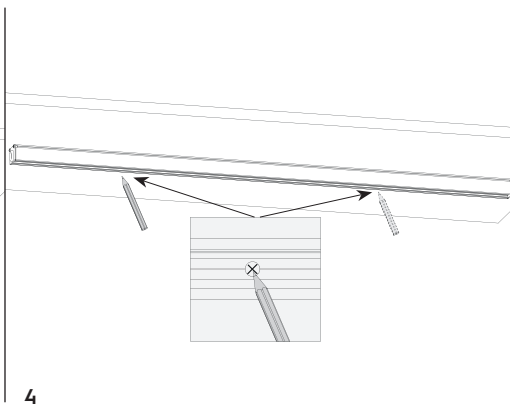
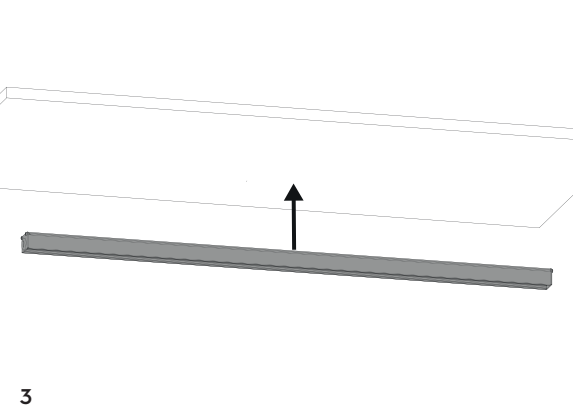
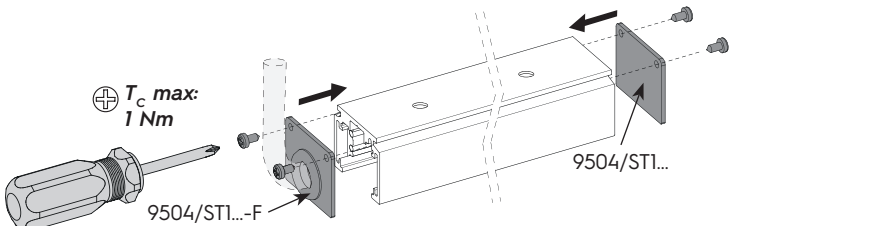
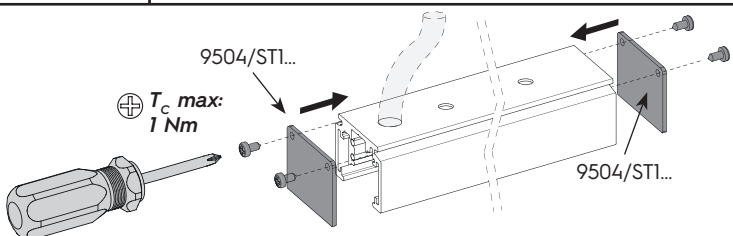
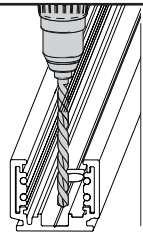
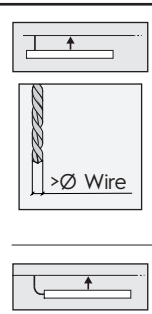
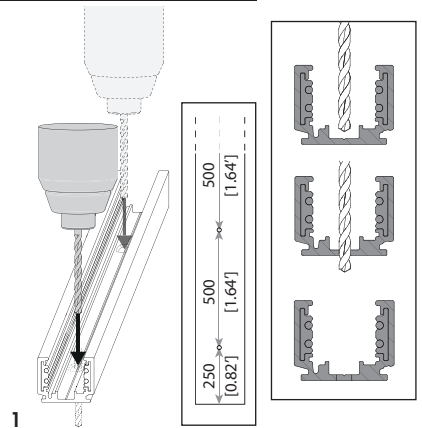
Wall



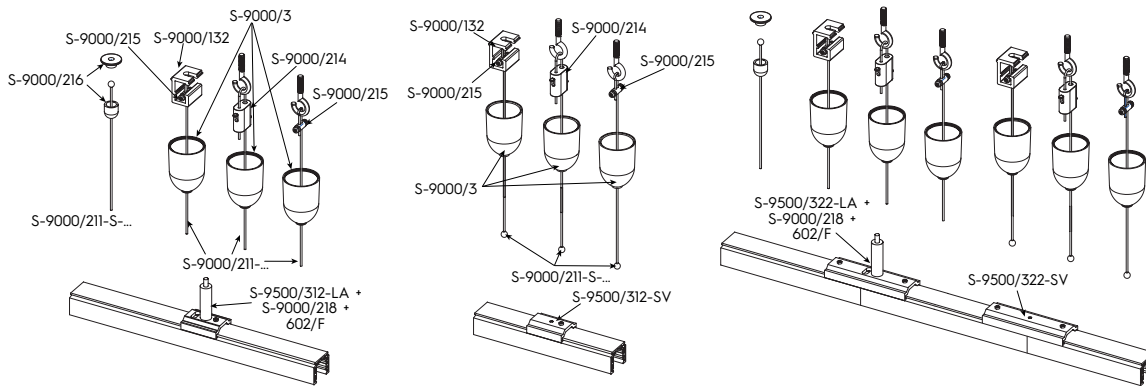
Suspended



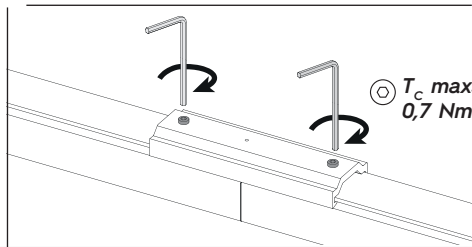
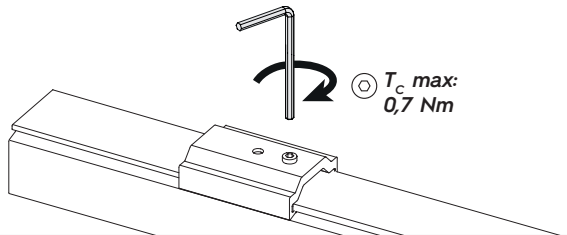
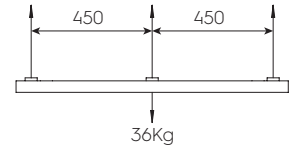
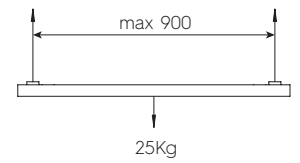
### 3 - CEILING FIXING



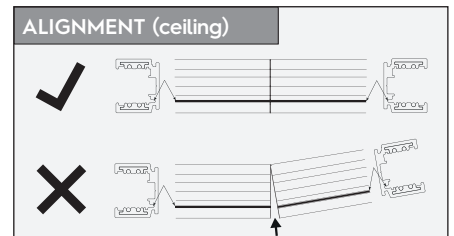
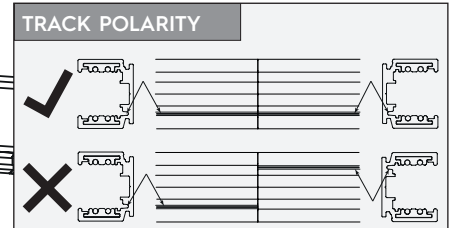
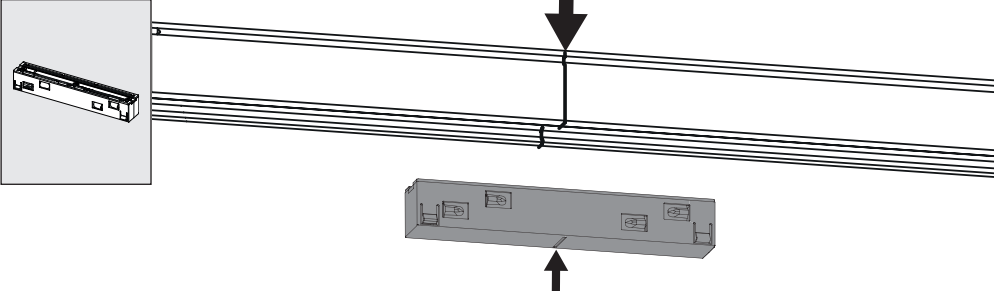
## 4 - SUSPENDED FIXING



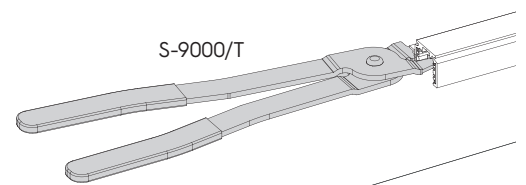
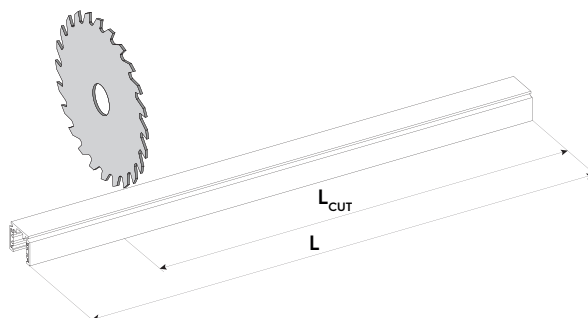
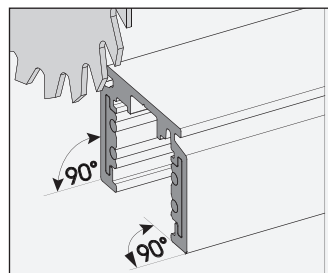
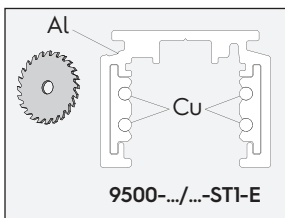
## MAX LOAD



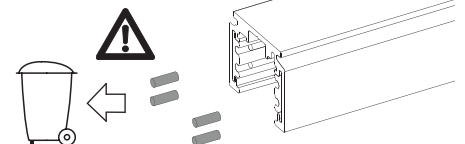
## 5 - 9503...



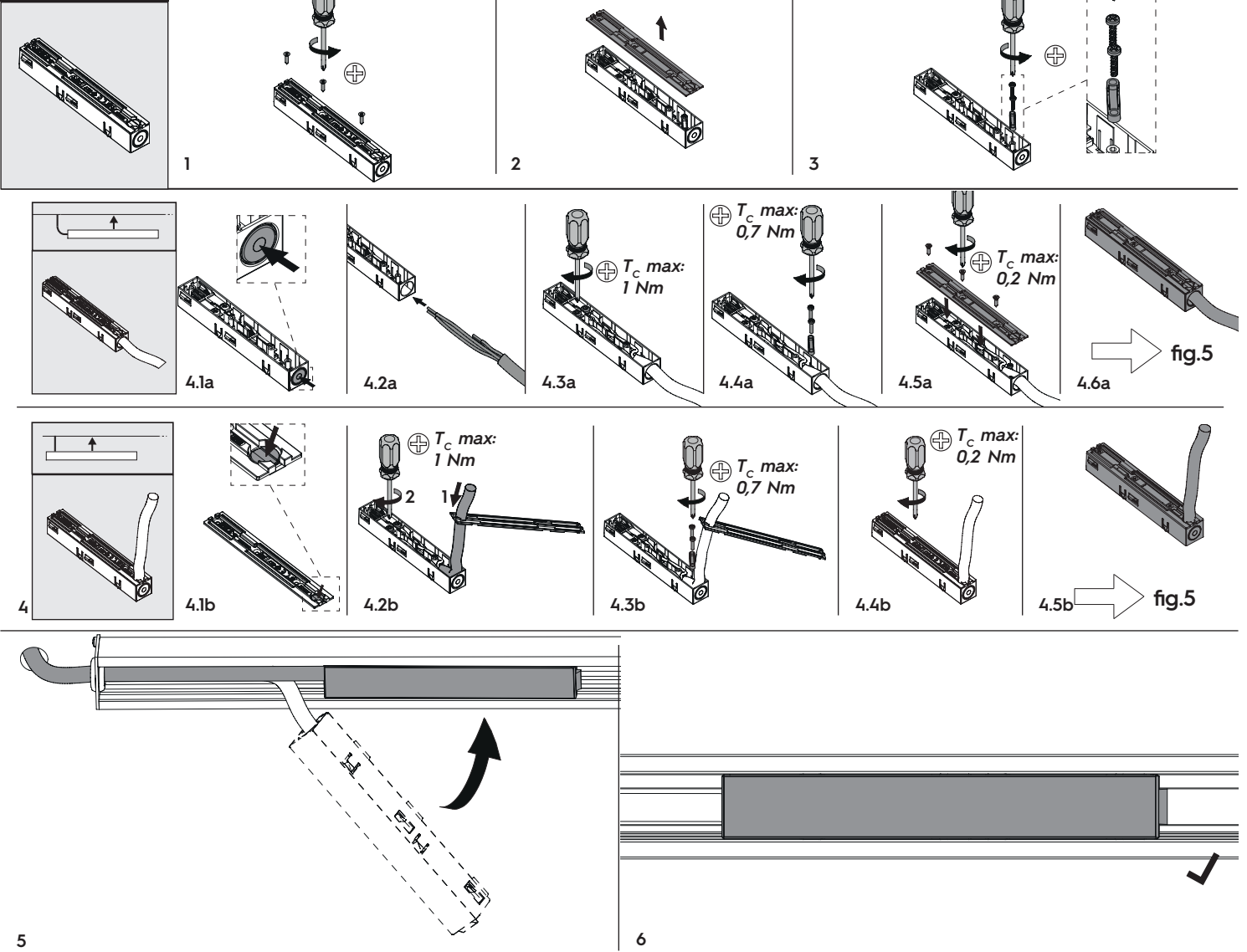
## 6 - CUTTING



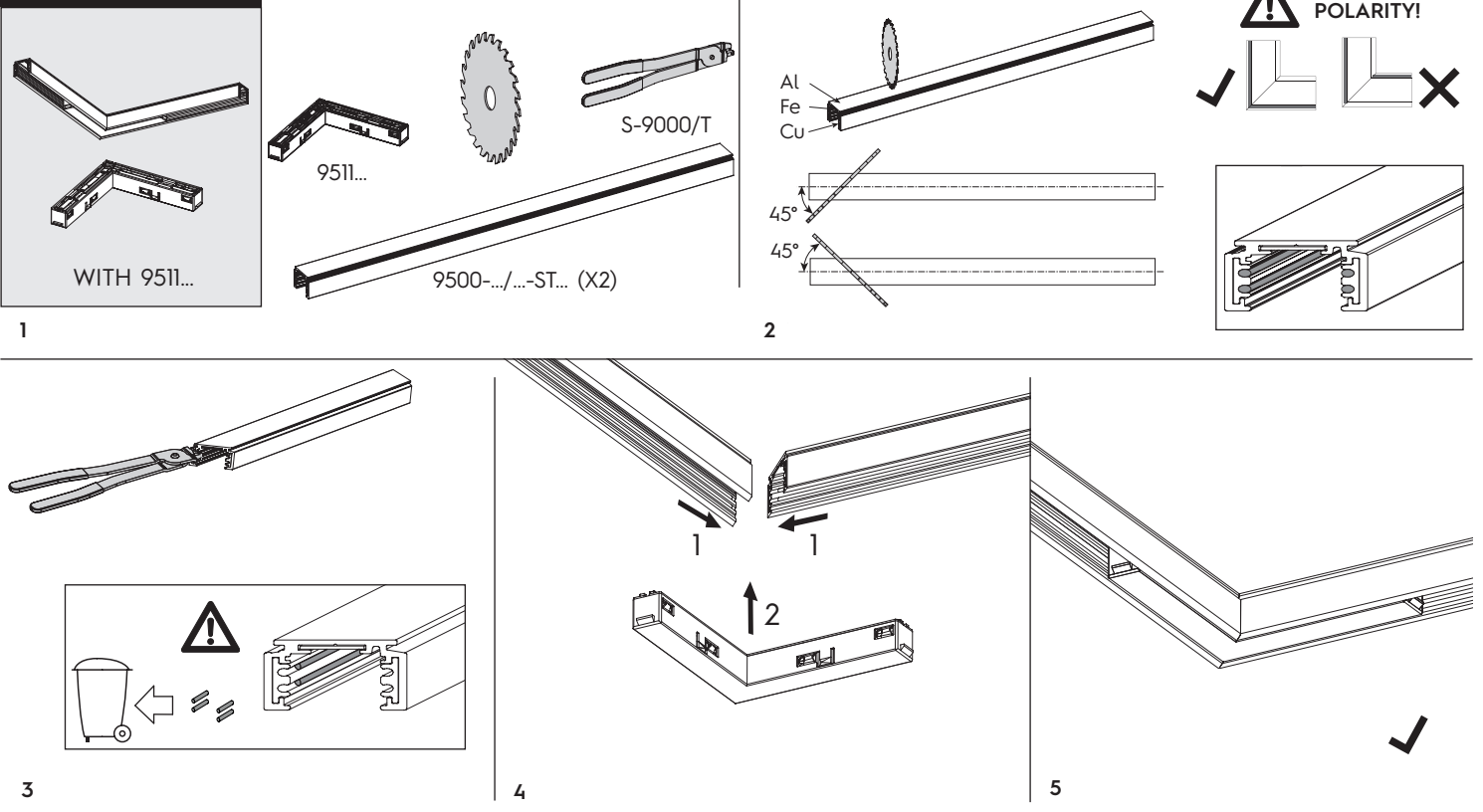
5mm [0.2"]



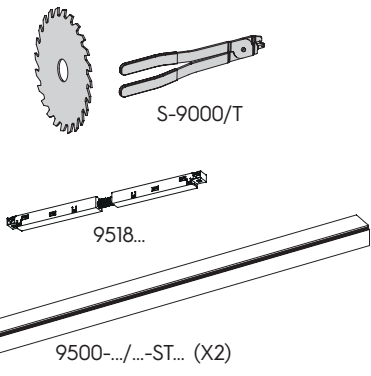
7 - 9501-S/...-E



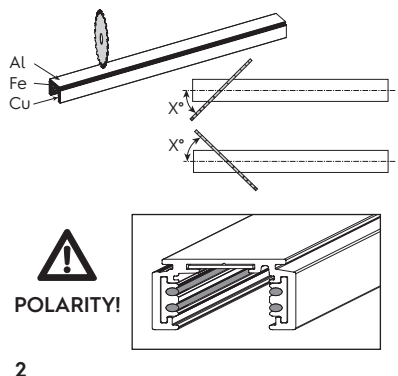
8 - 90° ANGLE



**9 - ≠ 90° ANGLE**

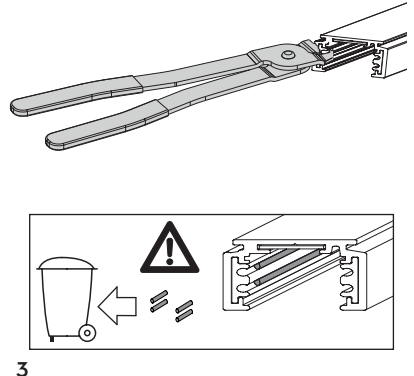


1

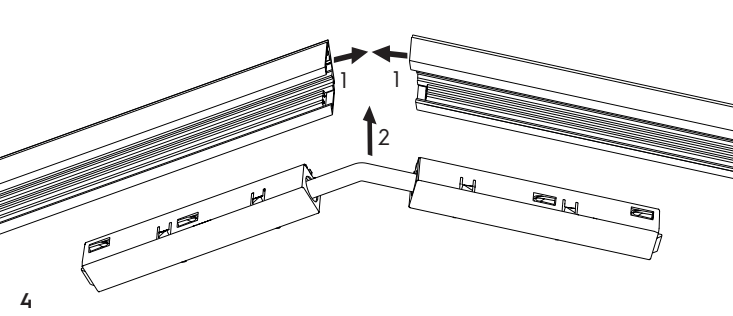


**!**  
POLARITY!

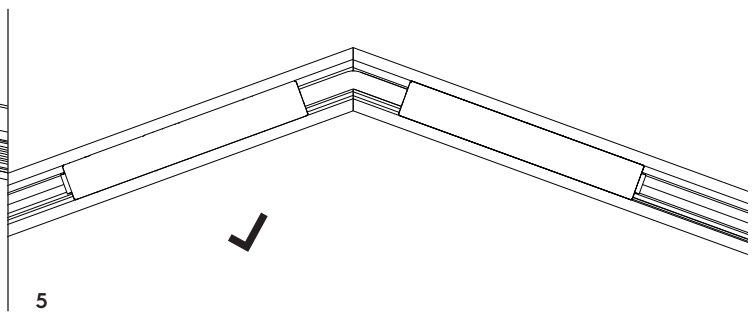
2



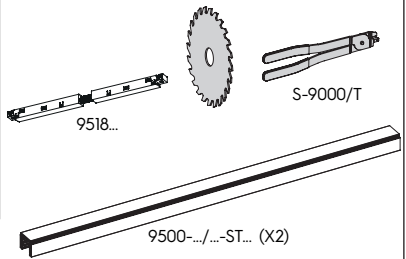
3



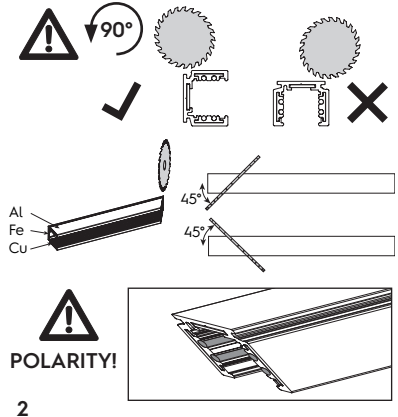
4



**10 - WALL CEILING  
90° ANGLE**

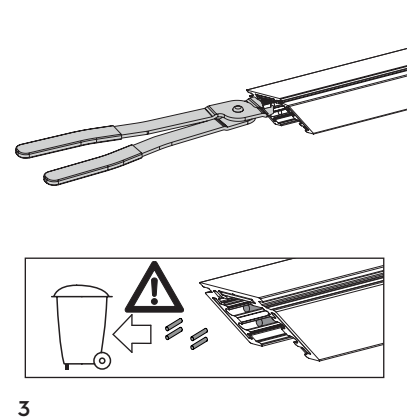


1

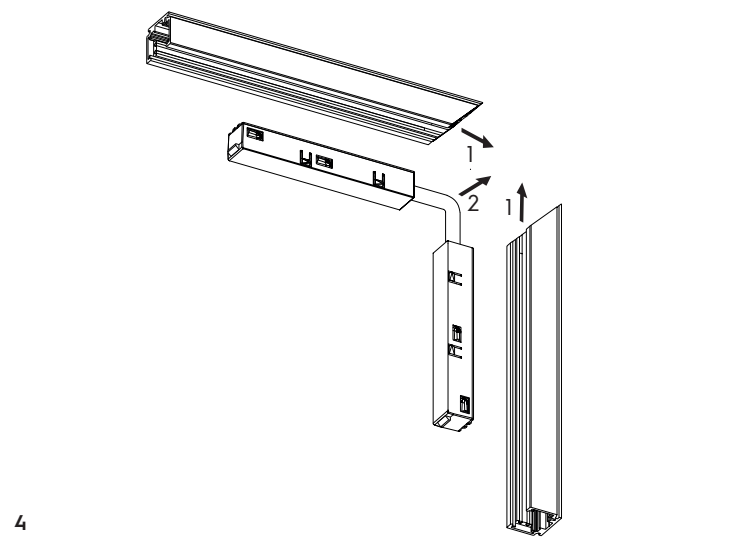


**!**  
POLARITY!

2



3



4

