

NEWS NEWS NEWS NEWS

SENZAFINE FLAT M11



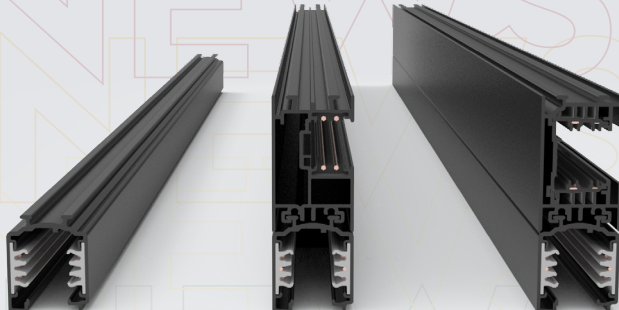
SENZAFINE TURN + DOUBLE



SENZAFINE FLAT M16



EMERGENCY TRACKS



Emergency tracks

A.A.G. Stucchi presents its new family of tracks and accessories certified to be used for **emergency lighting**. The new systems are **based on the existing ONETRACK™** range thus providing a complete system **without the need of a new stock** for connections and accessories.



Emergency tracks with emergency signs, emergency lights and MODULINE opal

E-TRACK

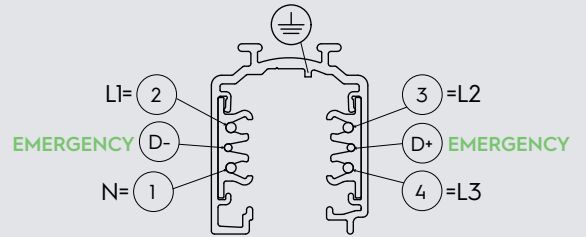
Watch video



230V ON/OFF system suitable for use with emergency lighting fixtures **with onboard battery**.

To be used with **EMERGENCY KITS** at each track junction.

Emergency and Combo lighting fixtures must use special 4 conductors adapters KIT.



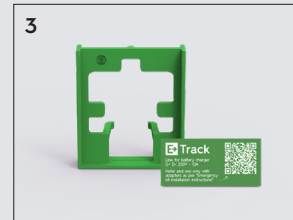
L1/L2/L3= 440V/16A
EMERGENCY lines (backlog conductors)=250V/10A



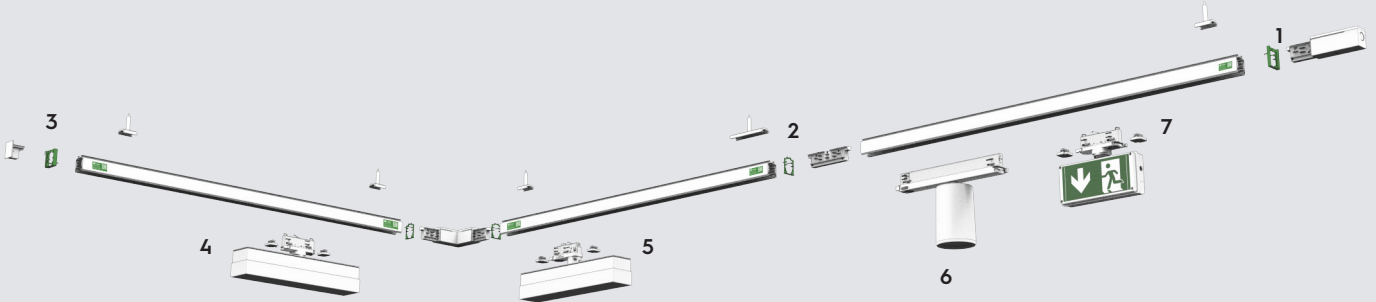
1
End feed emergency kit



2
Connection emergency kit



3
End cap emergency kit



4/7
Standard adapter kit with fixing brackets



5
Asymmetrical adapter kit with brackets



6
All ONETRACK 4 conductors adapters

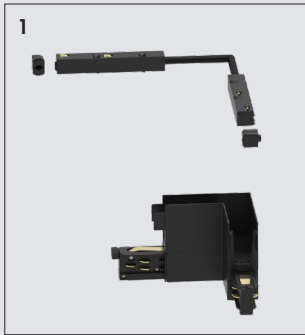
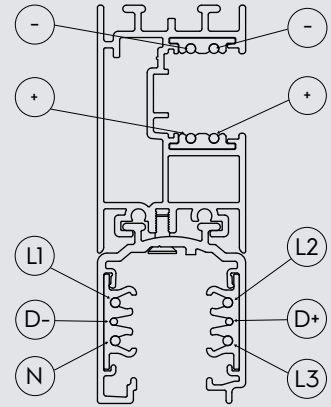
Mixed 48V

Watch video

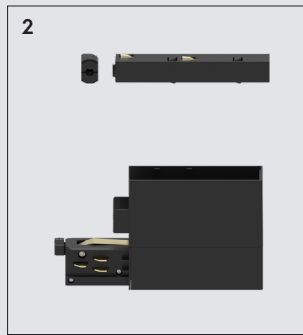


Combining the functionalities of **ONETRACK™ ADVANCE 48V** with a **Class III low-voltage track**, both with full **DALI** capabilities.

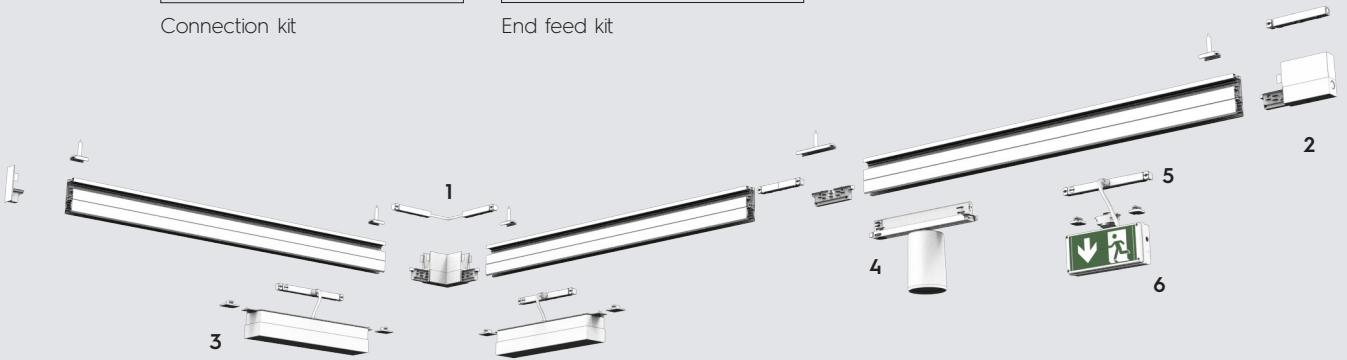
Suitable for use with emergency lighting fixtures controlled via CPS.



Connection kit



End feed kit



Low-voltage adapter kit



All ONETRACK 4/6 conductors adapters



Emergency sign mechanical adapter

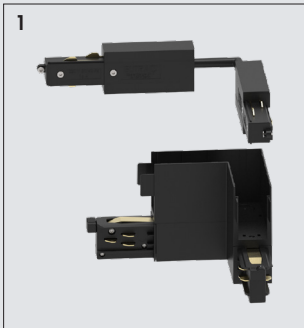
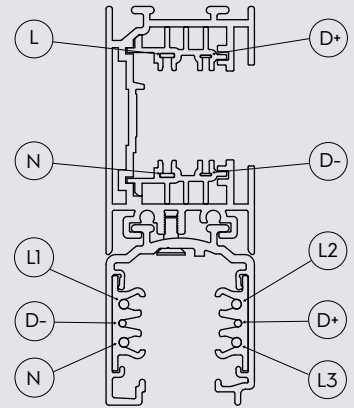
Mixed 230V

Watch video

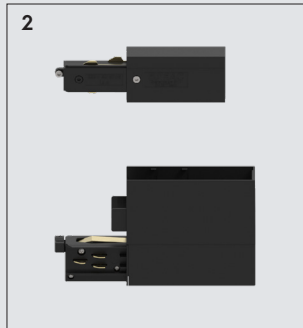


Combining the functionalities of **ONETRACK™ ADVANCE 230V** with a **Class III monophas track 230V**, both with full DALI capabilities.

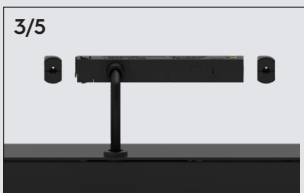
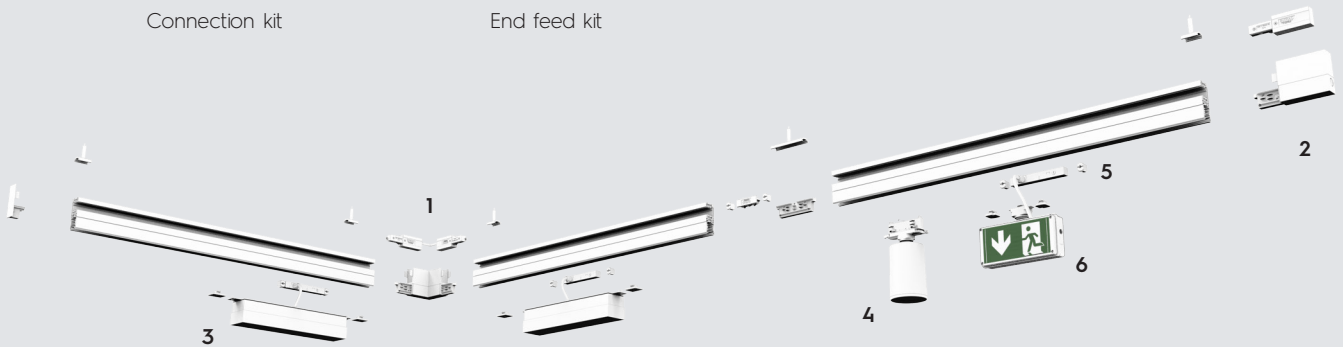
Suitable for use with main voltage emergency lighting fixtures controlled via CPS.



1
Connection kit



2
End feed kit



3/5
230V monophas adapter kit



4
All ONETRACK 4/6 conductors adapters



6
Emergency sign mechanical adapter adapters

SENZAFINE Flat

Discover more



SENZAFINE FLAT is the new linear light modules range developed for **MULTISYSTEM EVO and micro tracks**. The light modules are flush with the track itself thus giving a minimal and iconic look to lighting applications. The product is available in opal, UGR and lens versions and in different lengths.

SENZAFINE FLAT is part of SENZAFINE product range and keeps the same well-known quality of light.

M16 MEASURES

OPAL

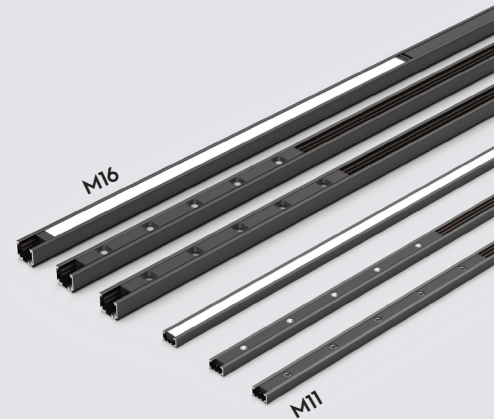
690mm - 1 LED modules
1190mm - 2 LED modules
1690mm - 3 LED modules

UGR

300mm - 1 LED module

LENS

300mm - 1 LED module



M11 MEASURES

OPAL

674mm - 1 LED modules
1174mm - 2 LED modules
1674mm - 3 LED modules

UGR

300mm - 1 LED module

LENS

300mm - 1 LED module



STI micro track with SENZAFINE FLAT opal and spotlights



STI EVO track with SENZAFINE FLAT opal

SENZAFINE Turn + Double

Discover more



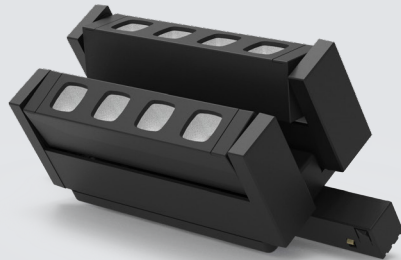
TURN is the new product range of the **SENZAFINE family**. The smallest adjustable SENZAFINE linear light modules (L310mm) can now be turned, to direct light precisely where you need and convey even more flexibility to lighting projects.

SENZAFINE TURN is available in **single or double versions** which is perfect to be used in corridors, museums or applications where **symmetrical light** is needed.

SENZAFINE TURN LENS - SINGLE VERSION



SENZAFINE TURN UGR - DOUBLE VERSION



Suspended track with SENZAFINE TURN DOUBLE