

ONE TRACK SYSTEM

ONETRACK – Only ONE-TRACK for all your lighting ideas

ONETRACK™ is the **state-of-the-art** main voltage track lighting system on the market.

It is a **futureproof universal platform** that fits any current or future project need as upgrading to controllable light is possible at any time. It also provides practical and immediate advantages as inventory levels and catalogue codes are drastically reduced.

UL approved versions 120V and 277V are available.

The latest **ADVANCE** version keeps the peculiar and successful features of ONETRACK™ range, **increasing its added** value as it is:



GREEN

For the environment



EFFICIENT

In the production process



RESPONSIBLE

Towards the market



EASY

Only the track codes change so that switch is easy

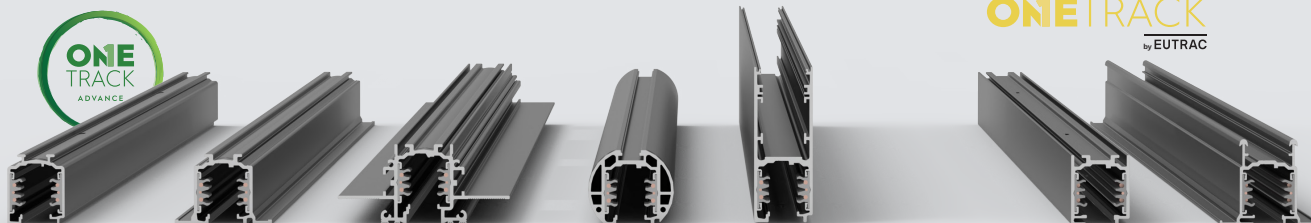
ONETRACK™ by EUTRAC: is the first product line developed combining A.A.G. Stucchi **ONETRACK technology** with **EUTRAC proved design**. Track profiles maintain the peculiar EUTRAC form factor while using ONETRACK connections, adapters and accessories.

Tracks tech info

A.A.G. Stucchi codes



EUTRAC codes



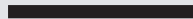
For the European Market

3 Phase + DATABUS tracks
L1/L2/L3/N/earth 16A/440V D+/D- 2x1A/50V FELV AC (DALI)

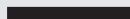
1000mm/4ft



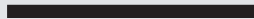
3000mm/12ft



2000mm/8ft



4000mm



Materials

External extruded body in aluminium
Available colours: black / white / anodized (*depending on article*)
Insulated extruded body in PVC
Copper conductors

120V and 277V
available



ONETRACK adapters

A.A.G. Stucchi codes



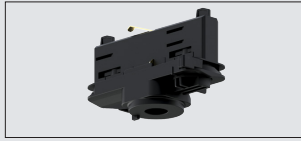
EUTRAC codes



Without driver



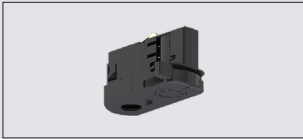
Symmetric adapter



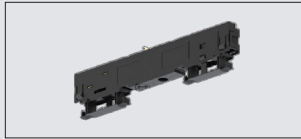
Symmetric adapter with phase selector and indicator accessible and visible from side



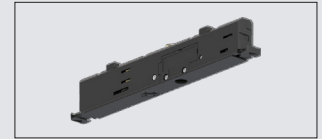
Asymmetric adapter



Compact adapter

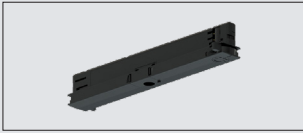


Adapter for Trimless use



Concealed adapter

With driver



Semi concealed adapter



Concealed adapter

If not specified models are available in 6 conductors and 4 conductors versions. Check adapter compatibility with the track you use.

ONETRACK connections

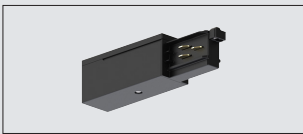
A.A.G. Stucchi codes



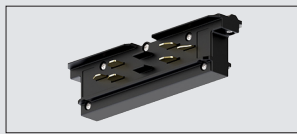
EUTRAC codes



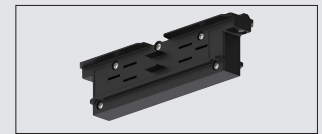
Available with all form factors



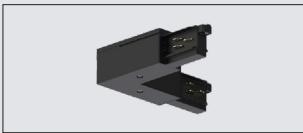
End feed



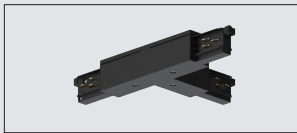
Joining connector



Insulating connector



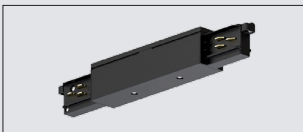
L Joint



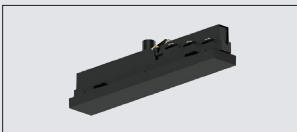
T Joint



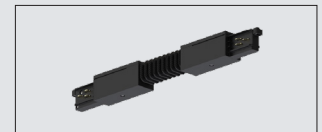
X Joint



Middle Joint



Middle feed



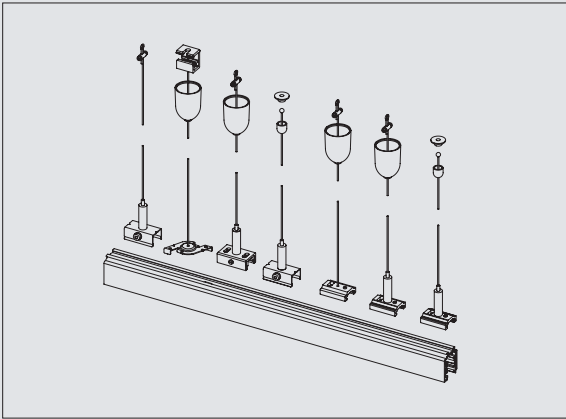
Adjustable corner

Track fixing accessories examples

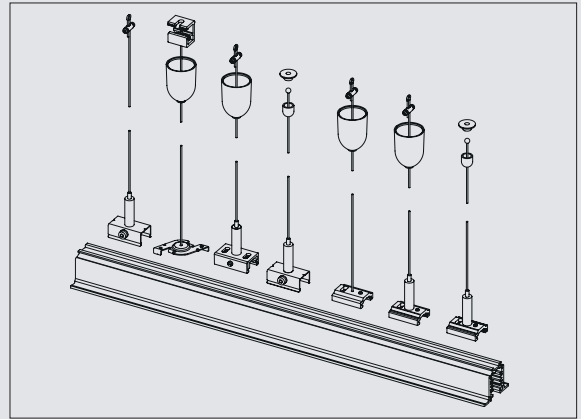
A.A.G. Stucchi codes



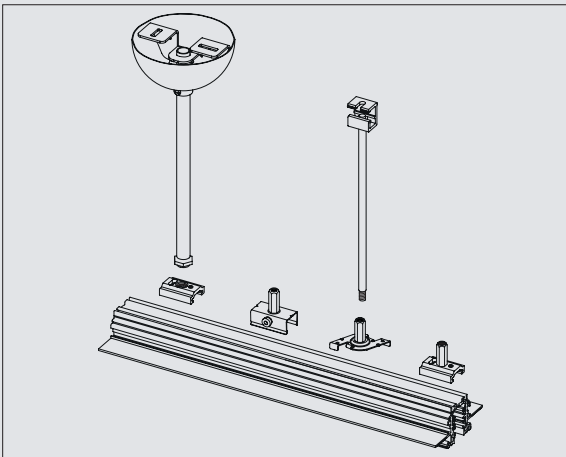
EUTRAC codes



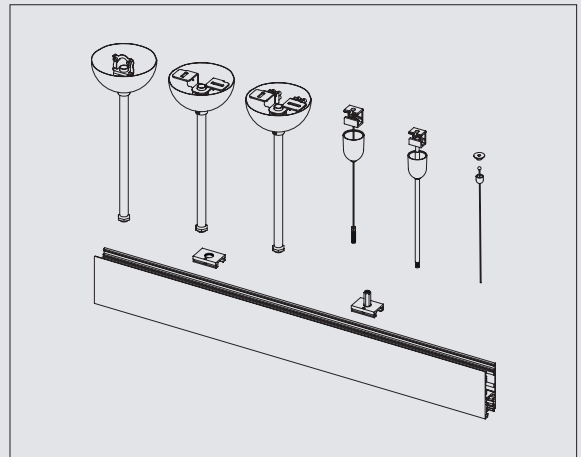
Ceiling/Suspended track



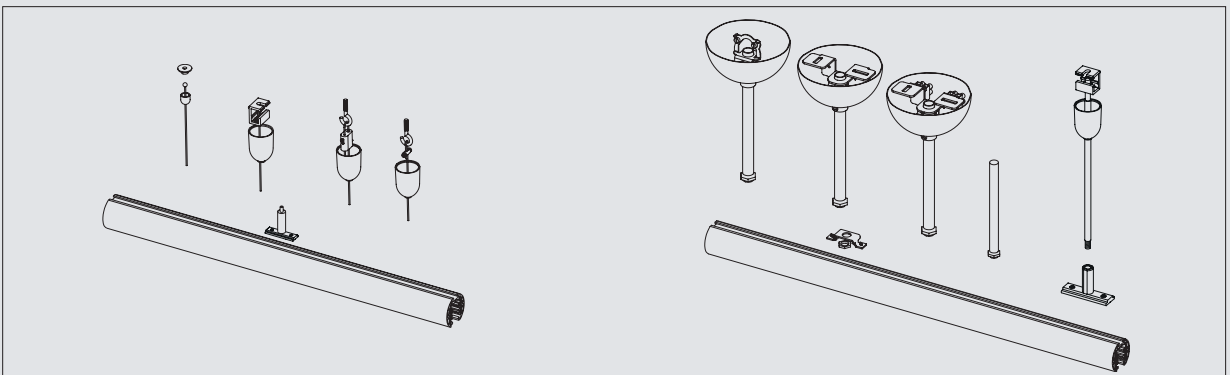
Recessed track



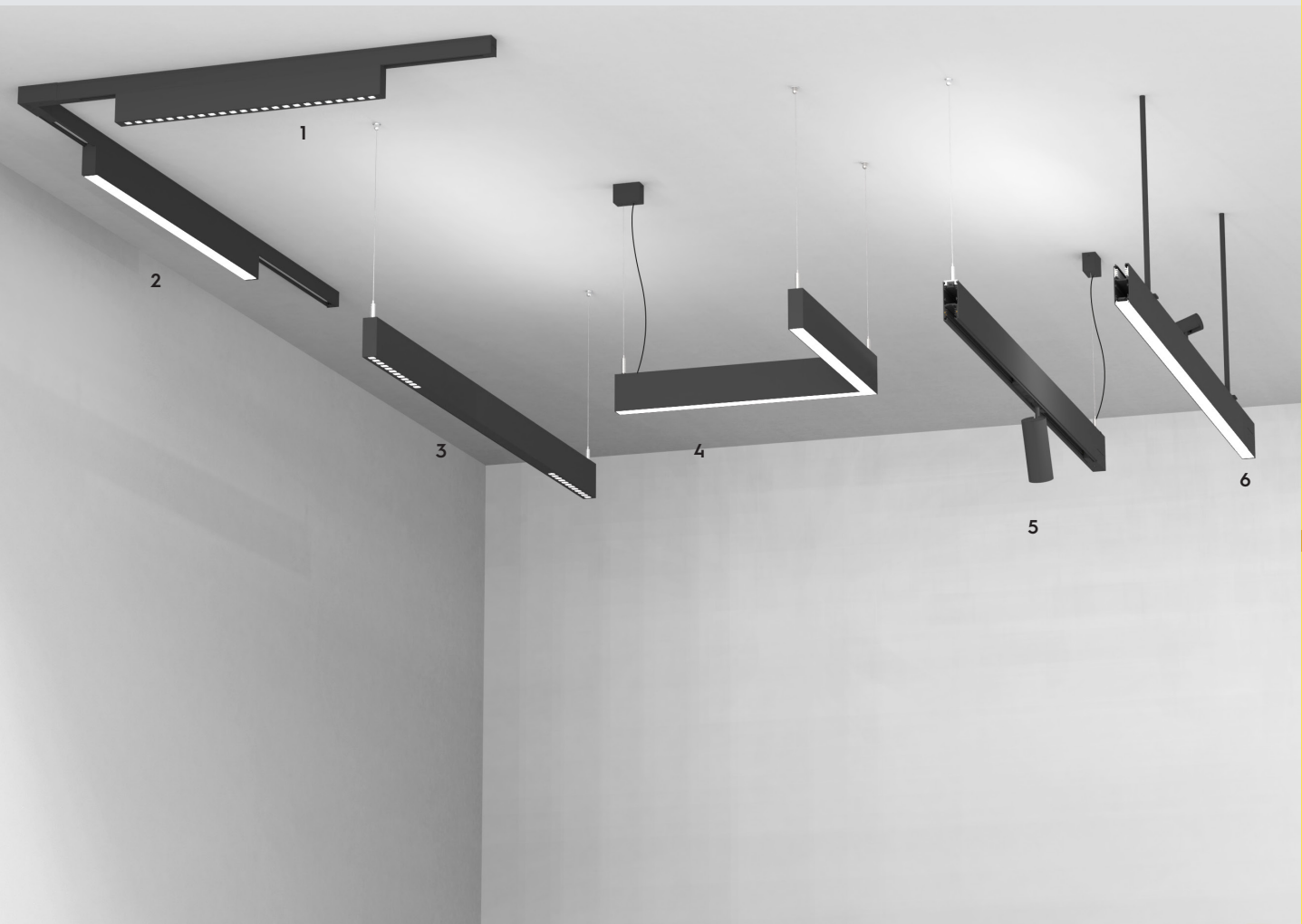
Trimless track



H track



Round track



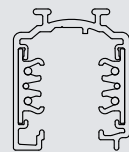
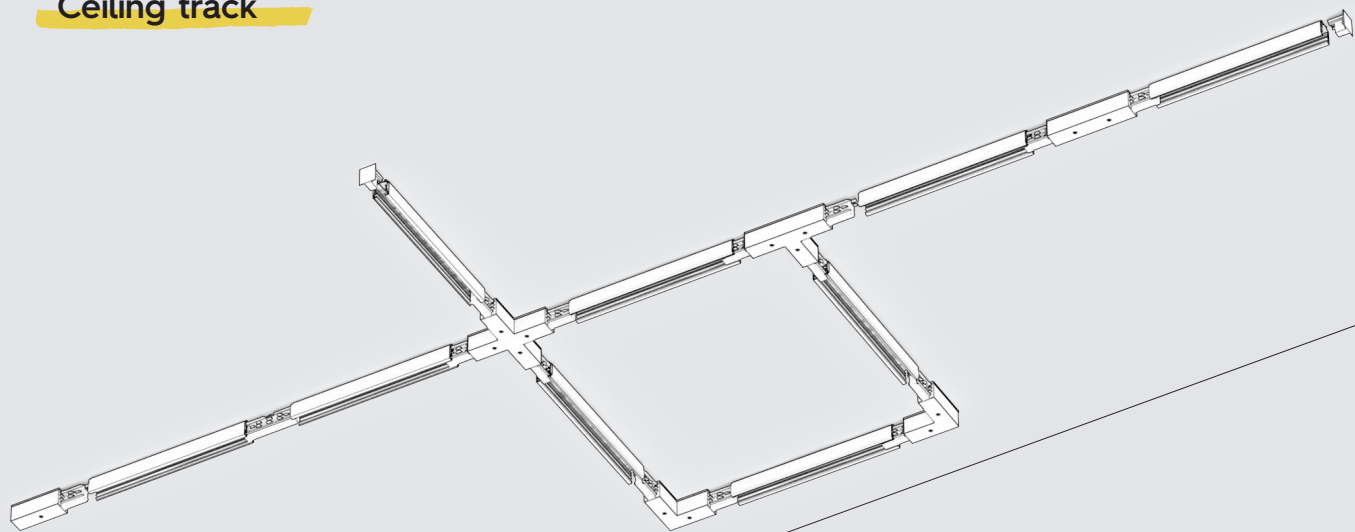
MODULINE

- 1 - MODULINE M32 UGR
- 2 - MODULINE M32 OPAL / MICROPRISMATIC / WALL WASHER

ONETRACK READY

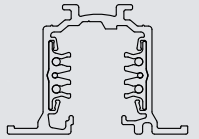
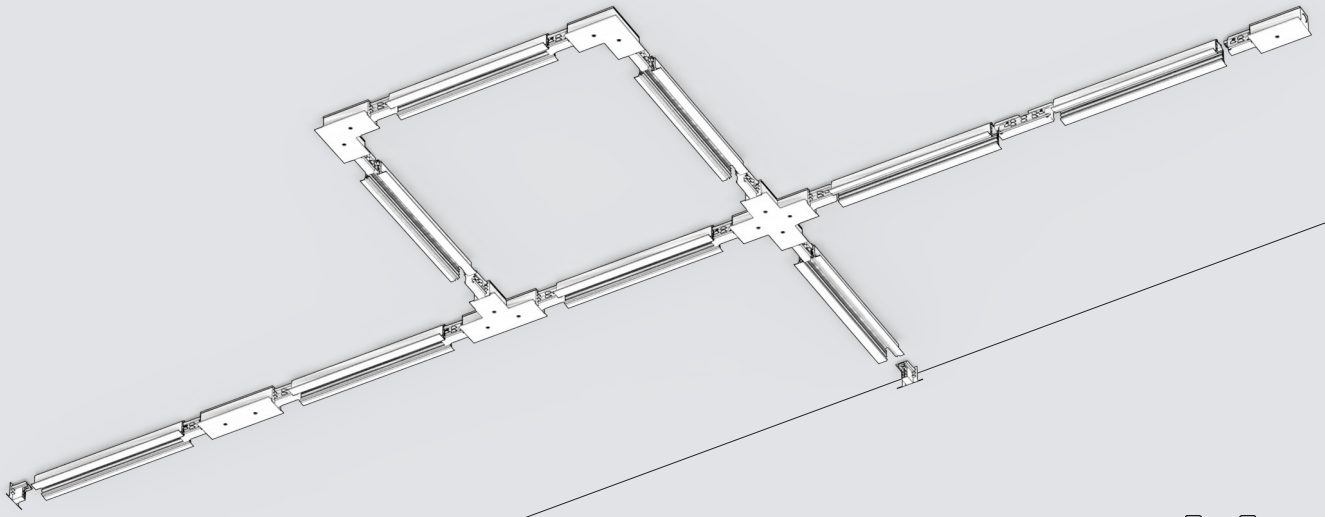
- 3 - L32 OPAL / MICROPRISMATIC / UGR
- 4 - L32 OPAL - L-SHAPE
- 5 - H32 UP OPAL
- 6 - H32 DOWN OPAL

Ceiling track



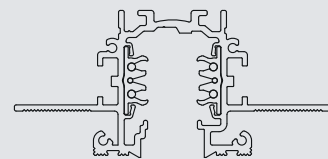
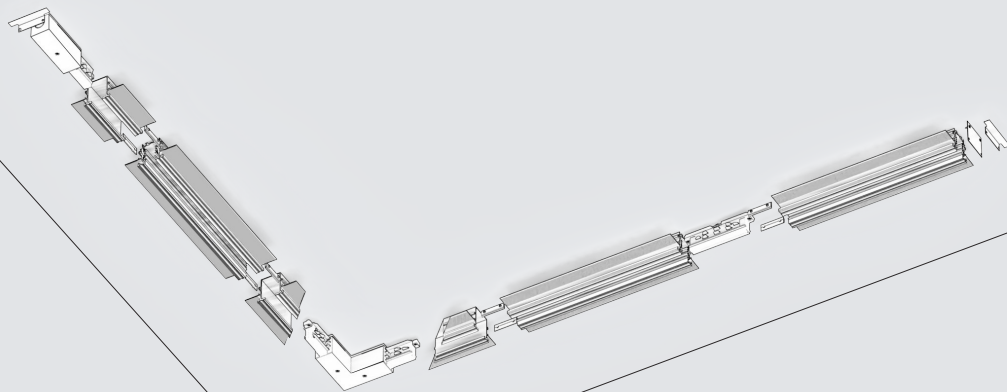
Ceiling track with MODULINE opal and suspension

Recessed track



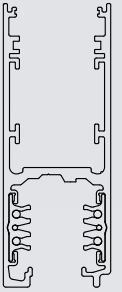
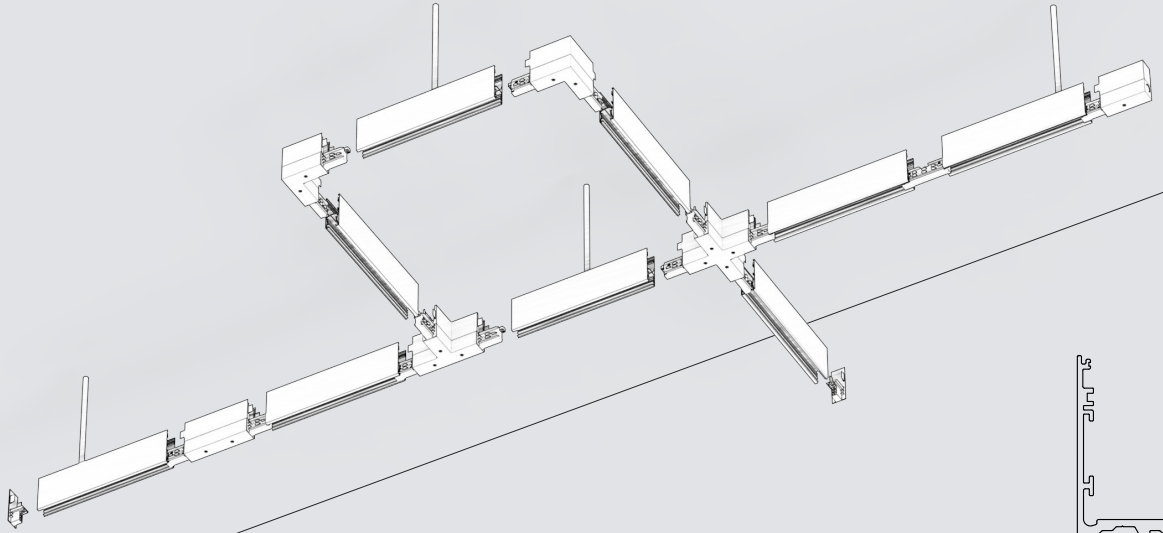
Recessed track with spotlights

Trimless track



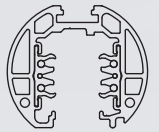
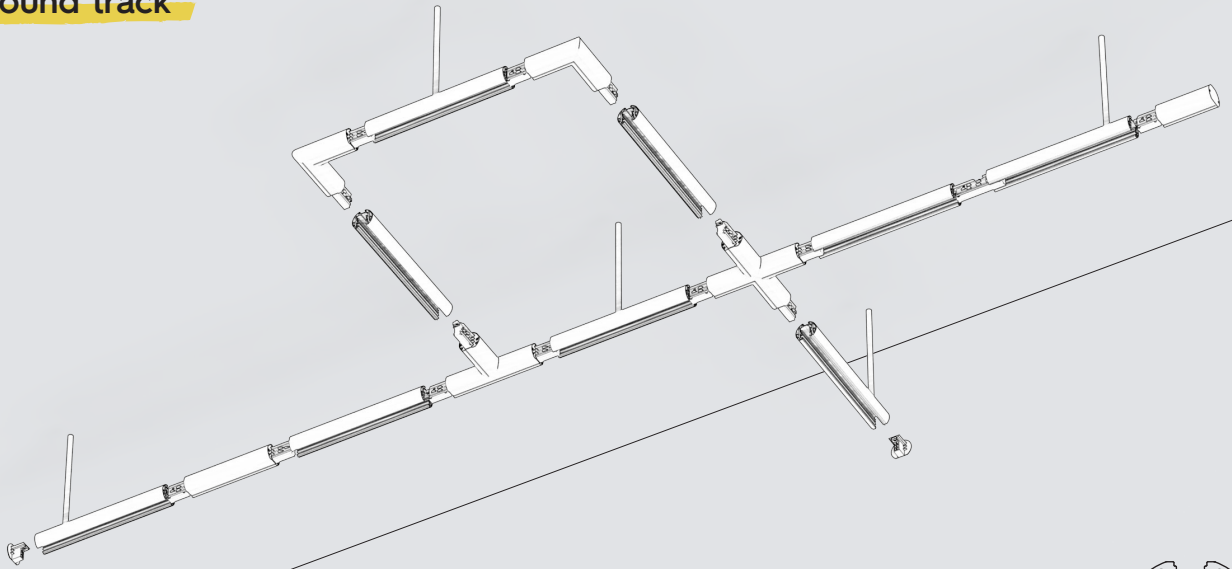
Trimless track with spotlights

H track



H track with spotlights and direct light

Round track



Round track with suspensions