



# SERIES 1656 - SINGLE-POLE ROCKER SWITCHES

TO 10 A 250 V AC



## PRODUCT FEATURES

- Powerful, illuminated rocker switch with plate spring switching system
- Silk matt printable surface
- Can be mounted from rear (alternatively with frame)
- Switching system sealed from rocker to protect against overflowing water (VDE 700 part 15)
- Snap fastening for wall thicknesses > 2 mm

## ON REQUEST

- Other actuator forms (e.g. oval)
- As a double switch
- Other colors
- Other printing variants
- Other terminal types
- Other lamp variants
- Variant without illumination
- Cable assembly

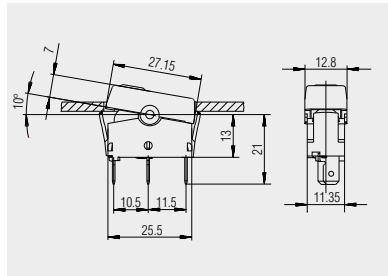
Mechanical life endurance	2E4
Contact resistance (new condition)	< 100 mOhm (1 A 12 V DC)
Insulation resistance (new condition)	> 100 MOhm (500 V DC)
Proof tracking	250 PTI
Ambient temperature	terminal side -20 °C ... +100 °C actuating side -20 °C ... +55 °C
Flammability	UL 94 V-2
Glow wire test temperature	850 °C
Material actuator	PA
housing	PA
terminals	Cu and CuZn bare (bearing terminal silver plated)
Plug force of the terminals	≤ 80 N
Approval marks	
Suitable for appliances of protection class II	



# SERIES 1656 - SINGLE-POLE ROCKER SWITCHES

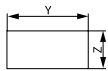
TO 10 A 250 V AC

single-pole	Lighting voltage (V)	Actuator color / printing	10 A 250 V AC 1E4	10 A 250 V AC 1/2 HP	10 A 125 V AC 1/3 HP	Terminal type	Terminal description	Contact distance (mm)	Contact material	Miscellaneous	Stock version
<b>ON / OFF switch (SPST)</b>											
1656.1703	230						4.8	≥ 3	Ag		
1656.1723	90						4.8	≥ 3	Ag	glow lamp with ignition voltage < 90 V	



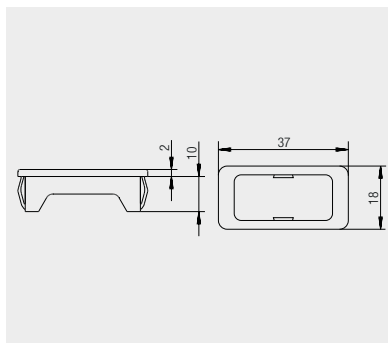
Basic type 1656

Quick-connect terminal 4.8 x 0.8



X = Wall thickness

x	y	z
> 2	28 <sup>+0.1</sup>	13 <sup>+0.1</sup>



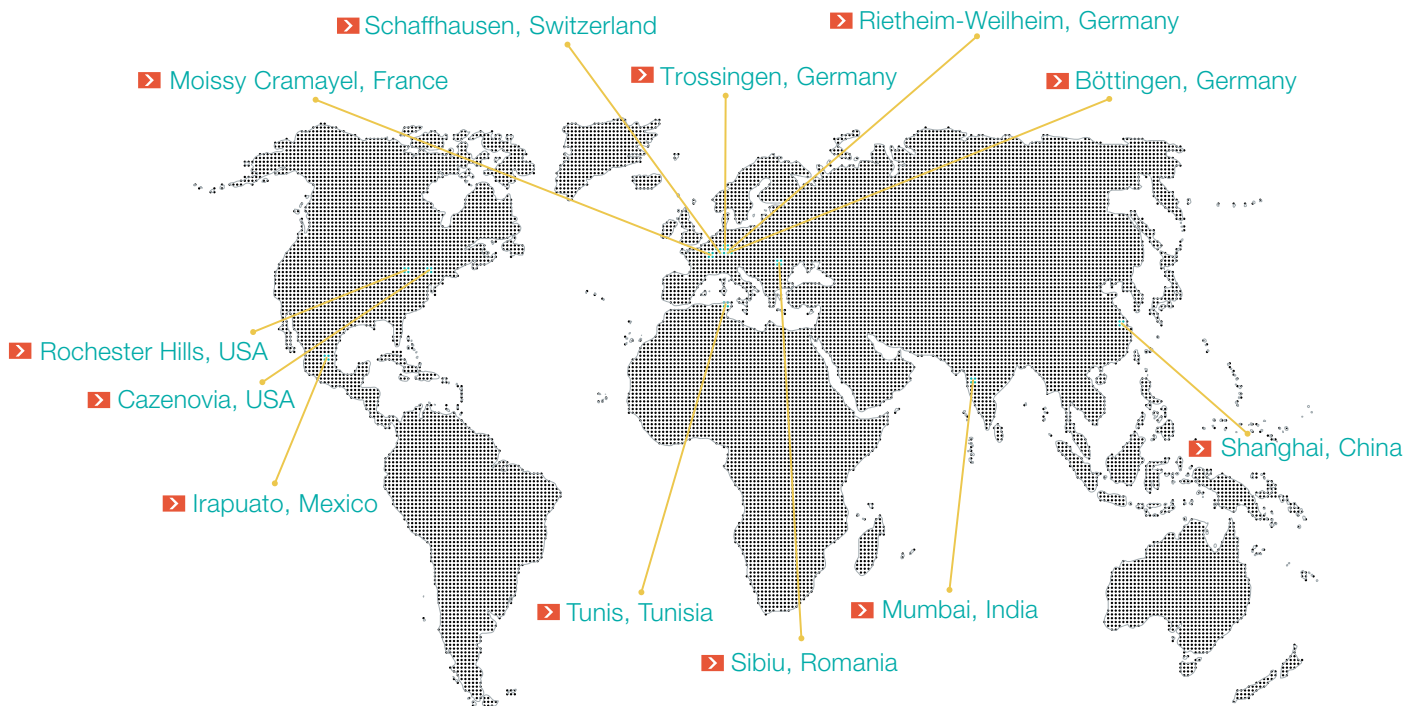
Mounting frame made of polyamide

Mounting frame

217.313.011 - black

217.313.041 - anthracite metallic

# MARQUARDT INTERNATIONAL.



## HEADQUARTERS

### Marquardt Mechatronik GmbH

Schloss-Straße 16

78604 Rietheim-Weilheim / GERMANY

Tel. +49 (0)74 24/99-0

Fax +31 (0)74 24/99-2399

marquardt@marquardt.com

[www.marquardt.com](http://www.marquardt.com)

## Geuken



## DISTRIBUTOR

### GEUKEN B.V.

Wattstraat 25a

2723 RA Zoetermeer / NETHERLANDS

Tel. +31 (0)79 361 60 70

Fax +31 (0)79 361 40 90

info@geuken.nl

[www.geuken.nl](http://www.geuken.nl)