



SERIES 0344 - THREE-POLE ROCKER SWITCHES

TO 16 (6) A 400 V AC

PRODUCT FEATURES


- Robust and powerful rocker switch
- Dust protected
- Approval for 400 V

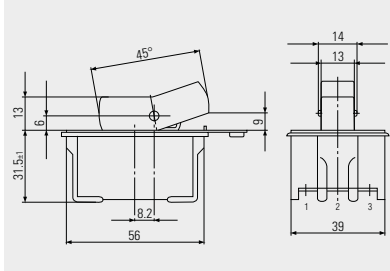
ON REQUEST

- Other terminal variants

Material actuator housing terminals	PA Duroplast / Duroplast (base) / chromated galvanized steel (bracket plate) chromatiert
Prüfzeichen	

three-pole	Actuator color / printing	Housing color	16 (6) A 400 V AC 5E4	25 A 400 V AC	Terminal type	Terminal description	Contact distance (mm)	Contact material	Miscellaneous	Stock version
ON / OFF switch (TPST)										
0344.0102						M4	≥ 3	Ag		
0344.0201						M4	≥ 3	Ag		

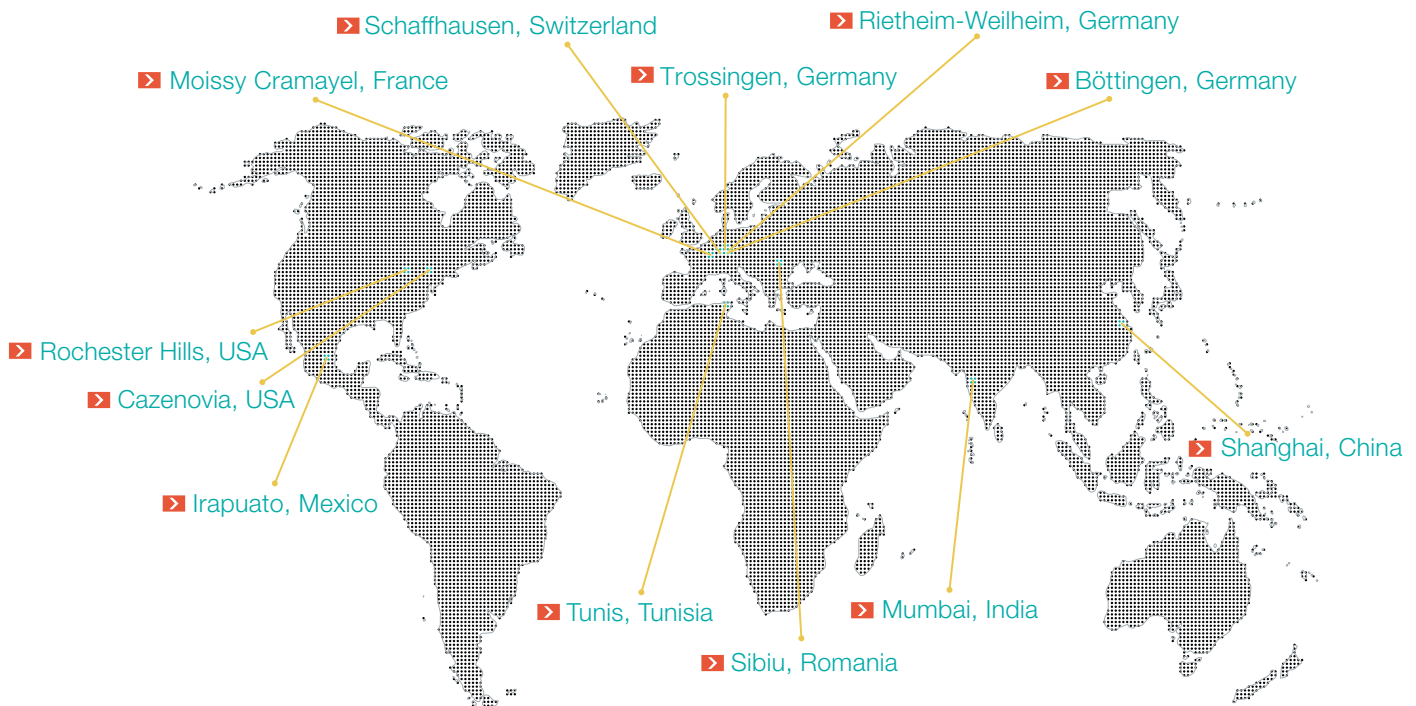




Screw terminal M4

Basic type 0344

MARQUARDT INTERNATIONAL.



HEADQUARTERS

Marquardt Mechatronik GmbH

Schloss-Straße 16
78604 Rietheim-Weilheim / GERMANY
Tel. +49 (0)74 24/99-0
Fax +31 (0)74 24/99-2399
marquardt@marquardt.com
www.marquardt.com



DISTRIBUTOR

GEUKEN B.V.

Wattstraat 25a
2723 RA Zoetermeer / NETHERLANDS
Tel. +31 (0)79 361 60 70
Fax +31 (0)79 361 40 90
info@geuken.nl
www.geuken.nl