



ST7 ST9

MULTISYSTEM

1 - 9500-.../...-ST7

CODE	L mm [ft]	Diagram
9500-1/...-ST7	1000 [3.28]	
9500-2/...-ST7	2000 [3.28]	
9500-3/...-ST7	3000 [3.28]	

1 - 9500-.../...-ST9

CODE	L mm [ft]	Diagram
9500-1/...-ST9	1000 [3.28]	
9500-2/...-ST9	2000 [3.28]	
9500-3/...-ST9	3000 [3.28]	

2 - USE

Suspended

3 - FIXING

With clamps

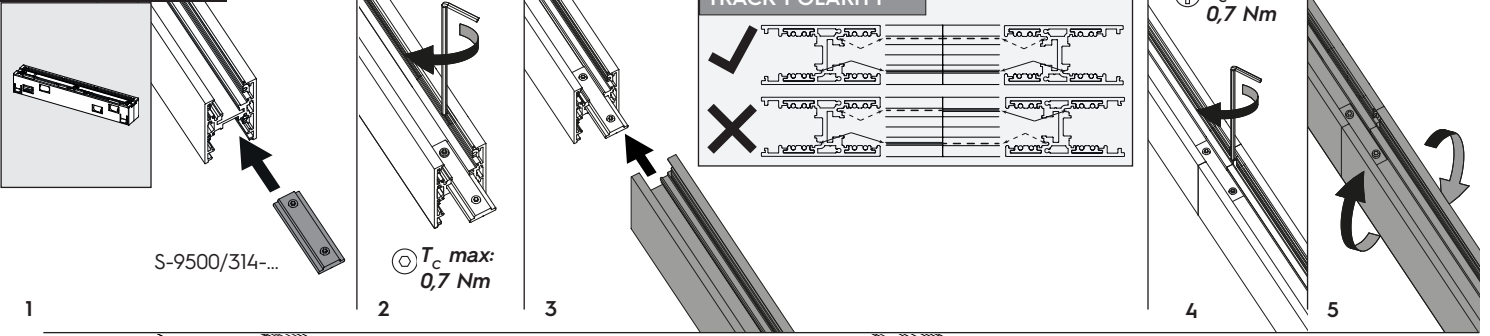
With brackets

MAX LOAD

POLARITY!

1	2-3
9501-S-KL...	9501-S-KR...
9501-S-KR...	9501-S-KL...

4 - 9503...



1

2

3

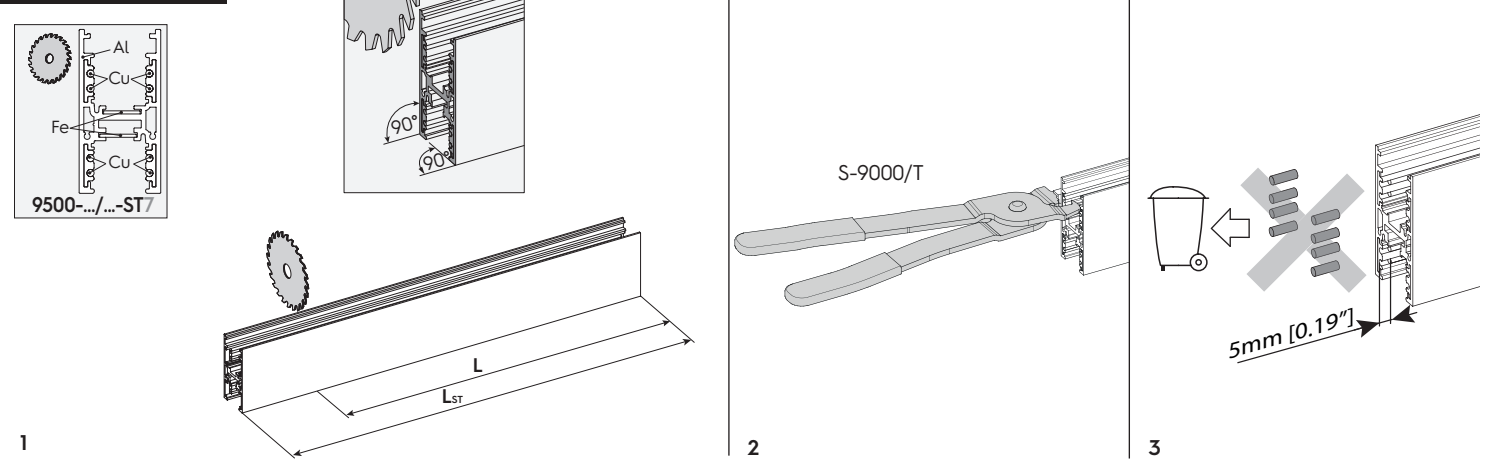
4

5

6

7

5 - CUTTING



1

2

3

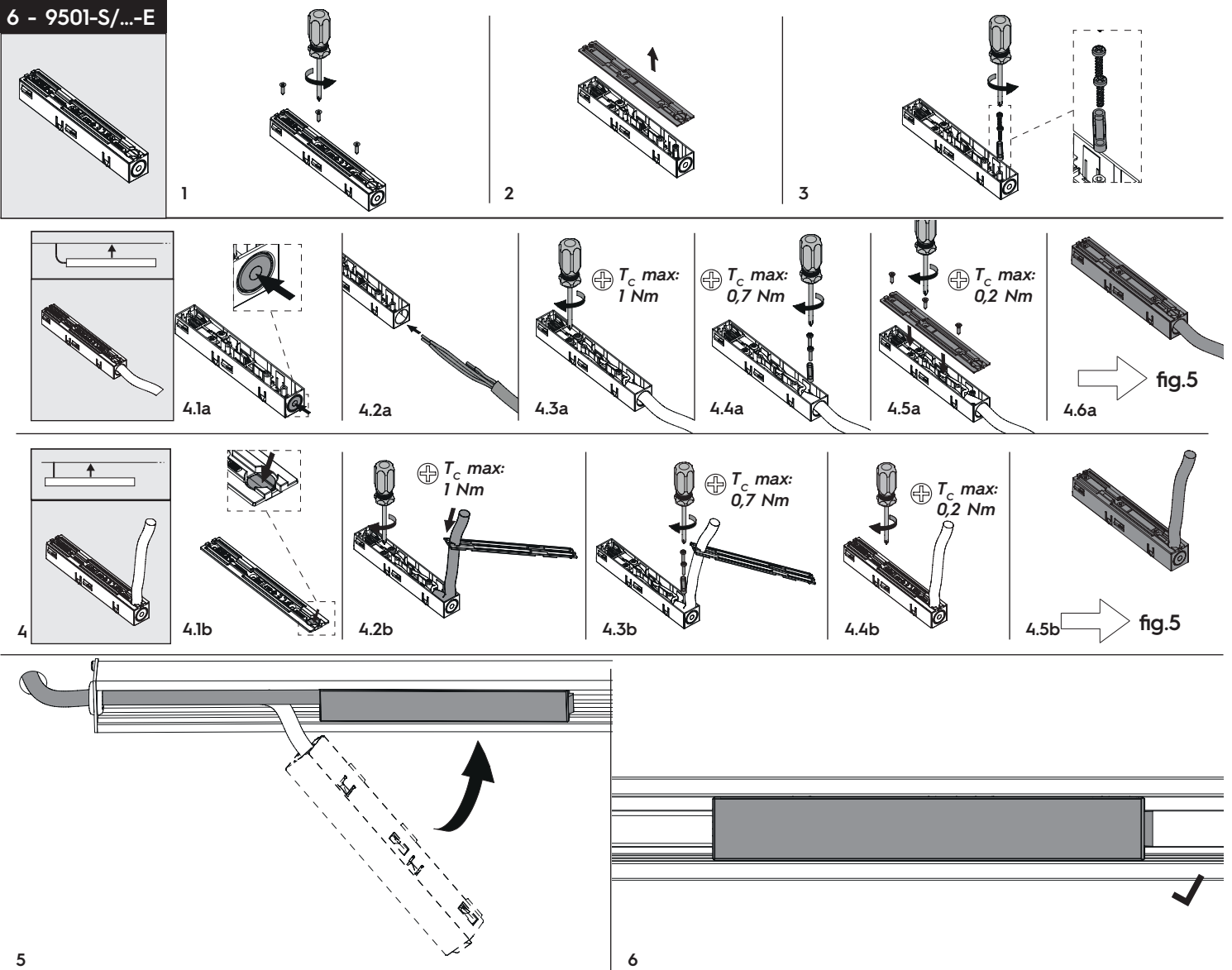
4

5

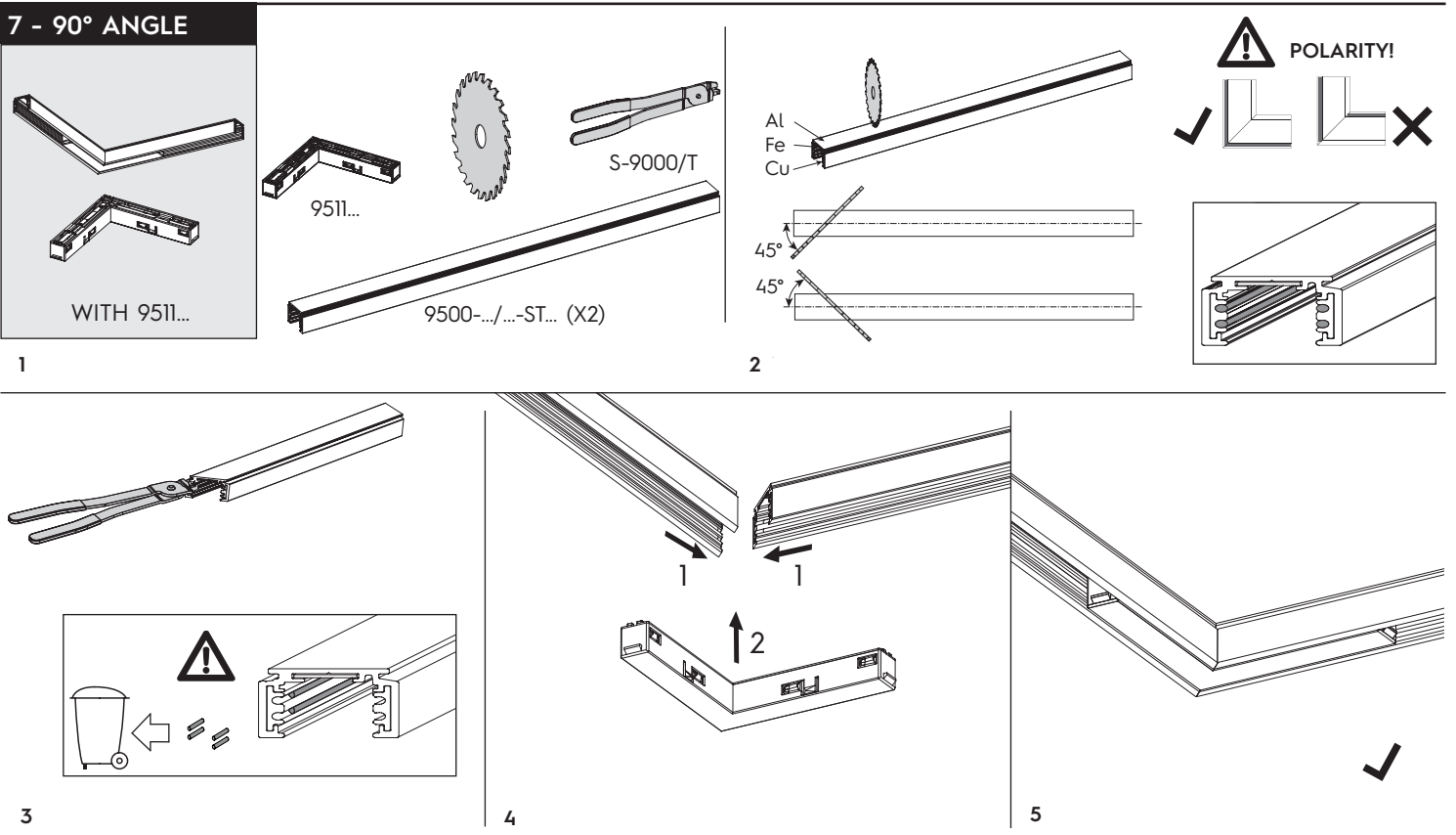
6

20mm

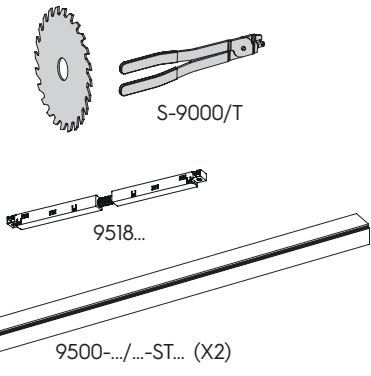
6 - 9501-S/...-E



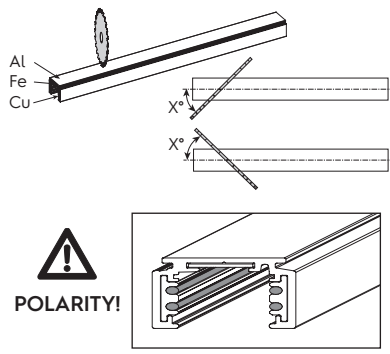
7 - 90° ANGLE



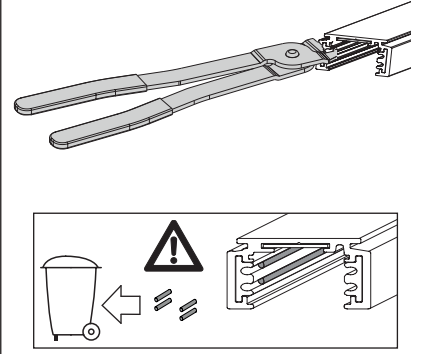
8 - ≠ 90° ANGLE



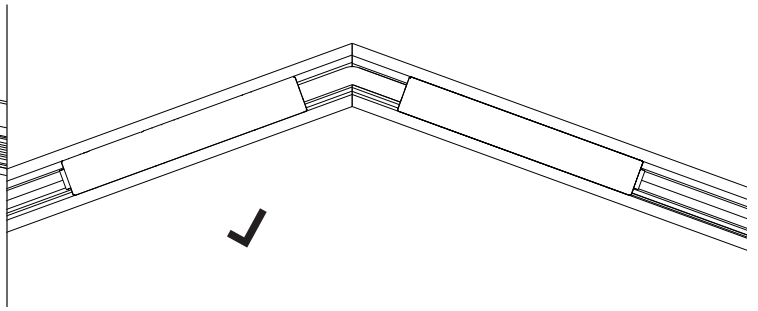
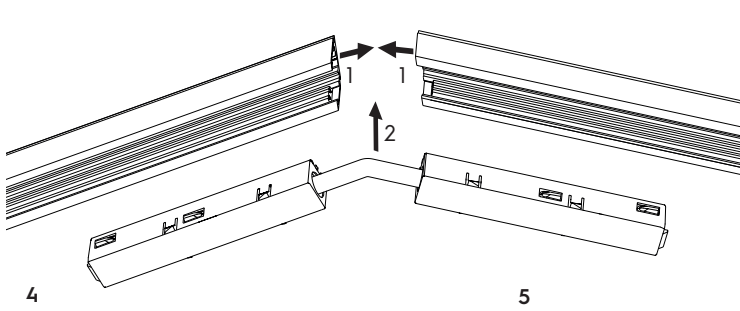
1



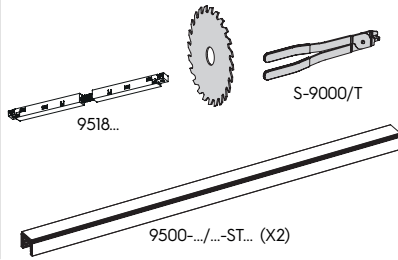
2



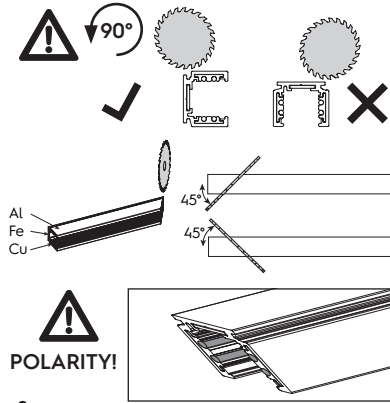
3



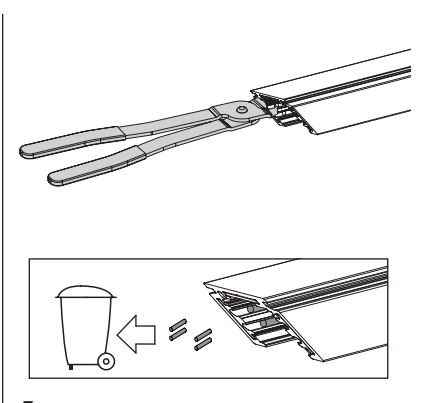
**9 - WALL CEILING
90° ANGLE**



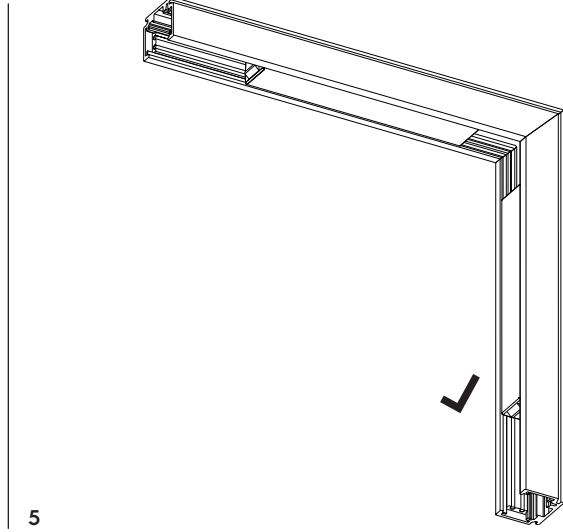
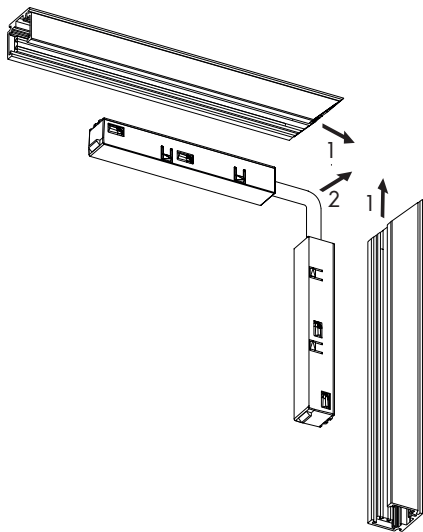
1



2



3



5