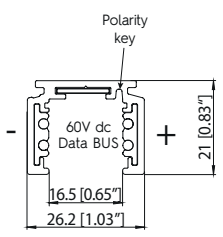
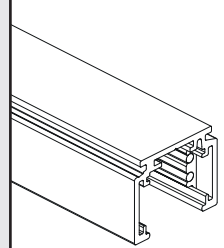
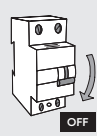




# ST1

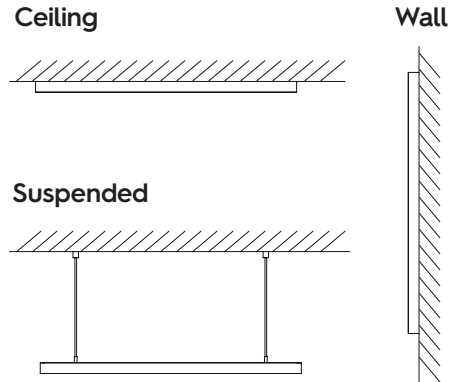
# MULTISYSTEM

## 1 - 9500-.../...-ST1

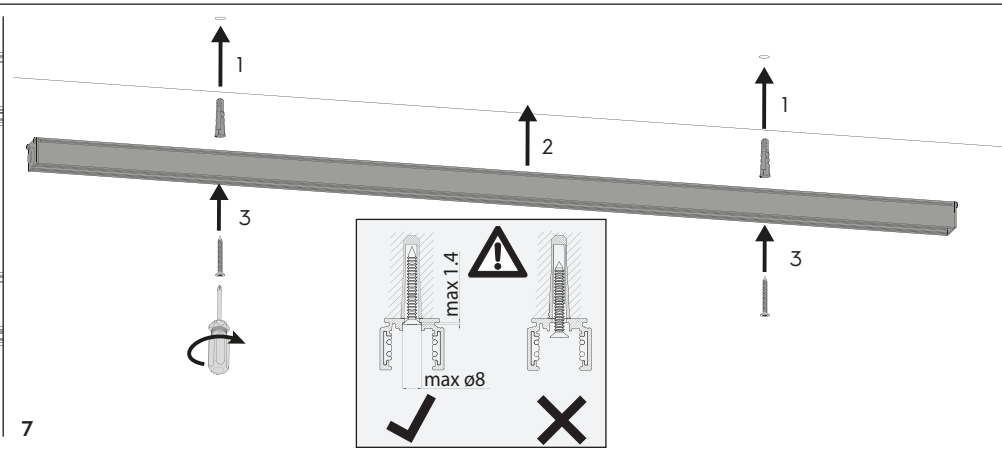
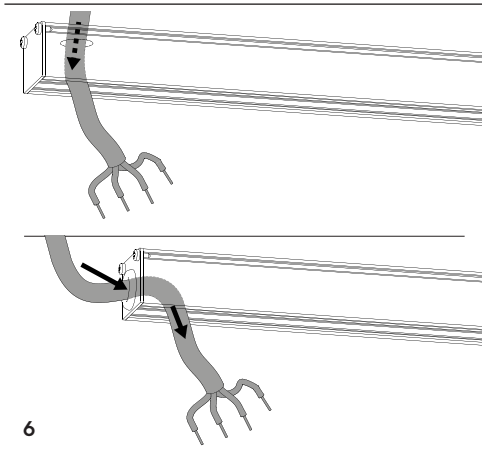
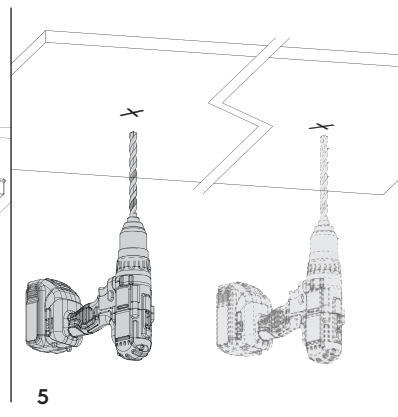
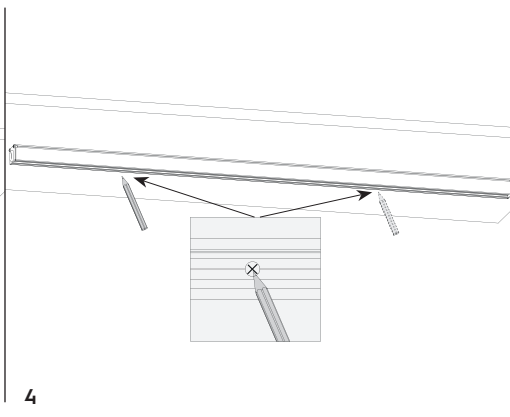
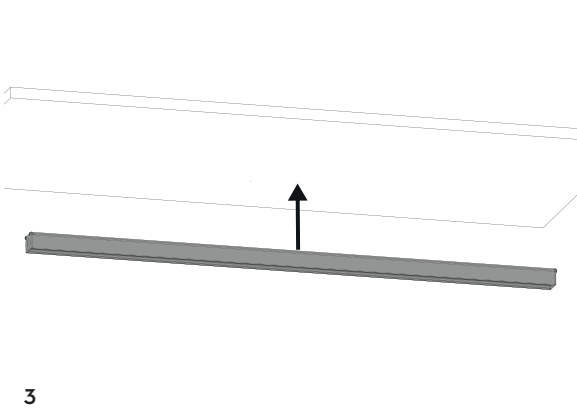
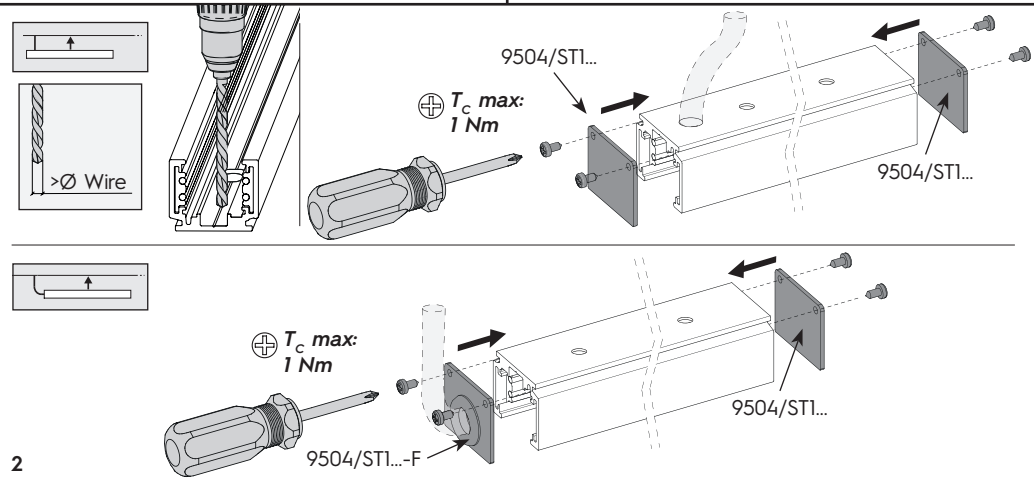
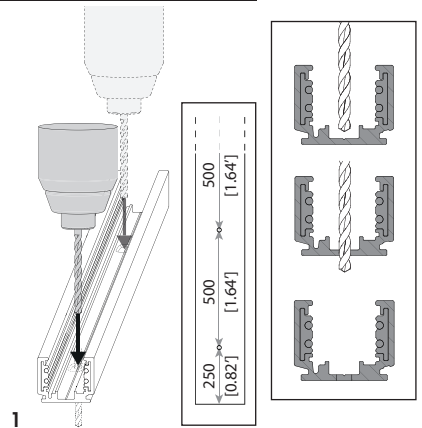


CODE	L mm [ft]	
9500-1/...-ST1	1000 [3.28']	
9500-2/...-ST1	2000 [3.28']	
9500-3/...-ST1	3000 [3.28']	

## 2 - USE

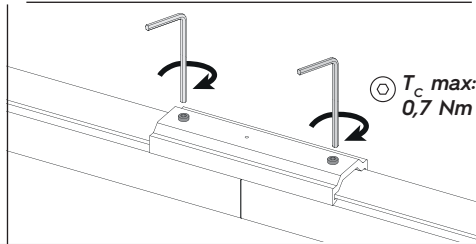
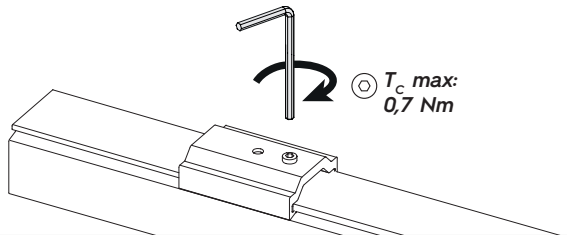
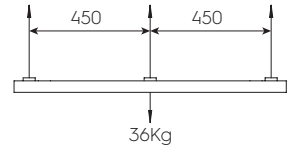
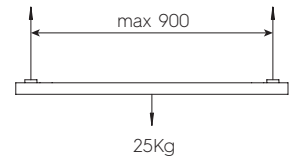
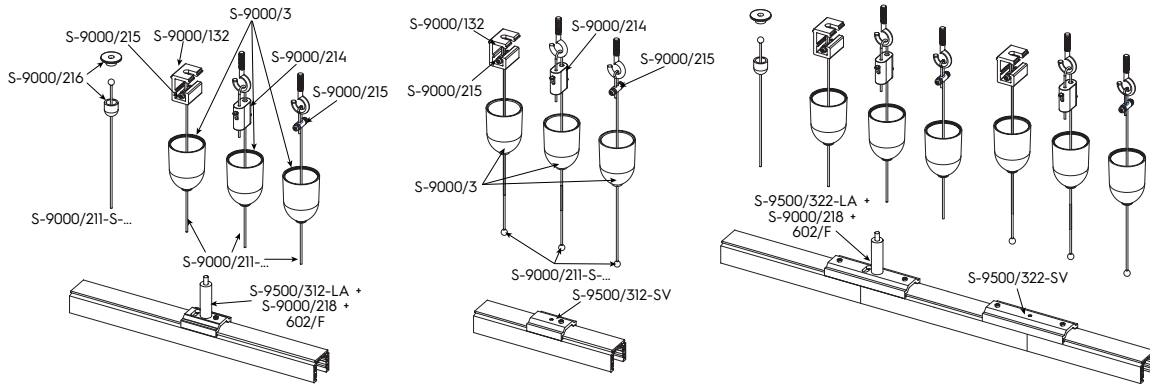


## 3 - CEILING FIXING

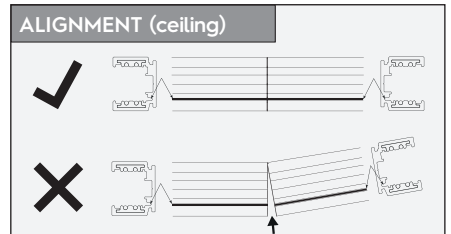
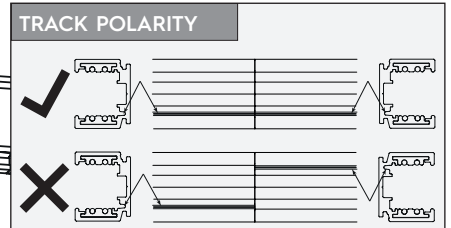
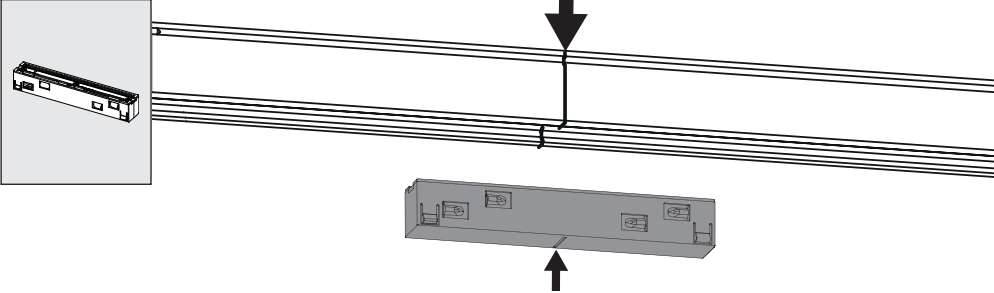


## 4 - SUSPENDED FIXING

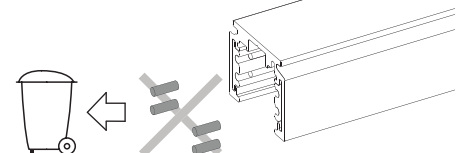
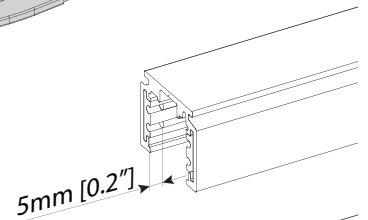
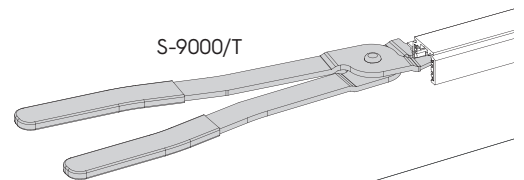
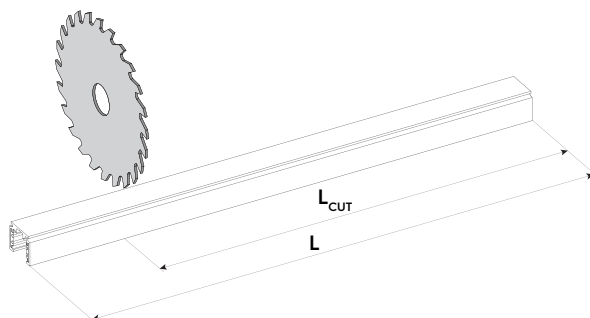
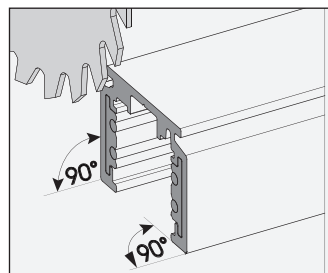
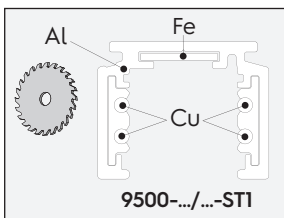
## MAX LOAD

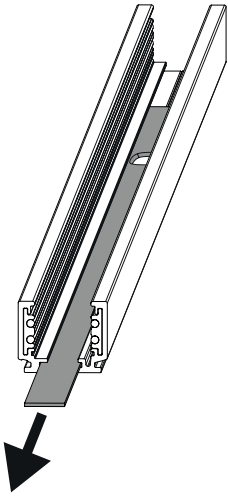


## 5 - 9503...

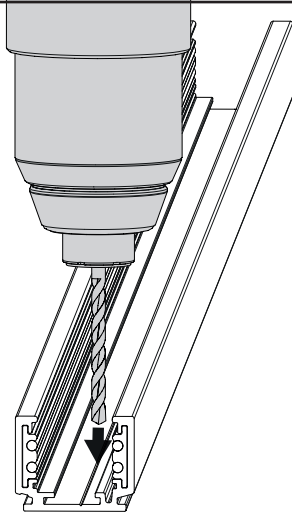


## 6 - CUTTING

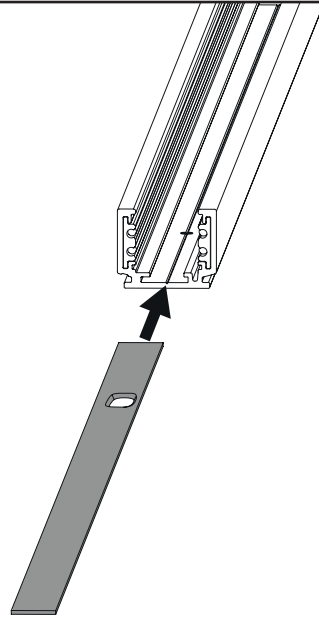




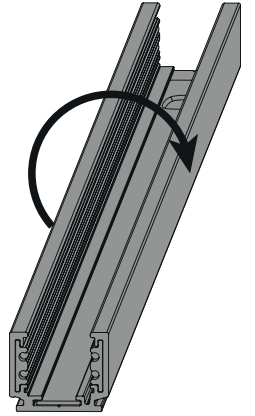
3



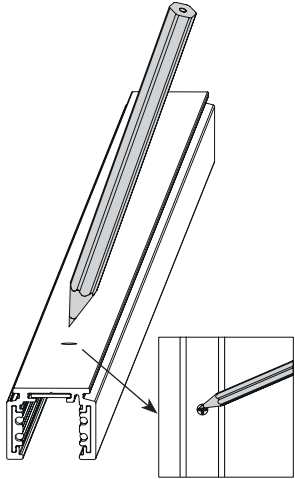
4



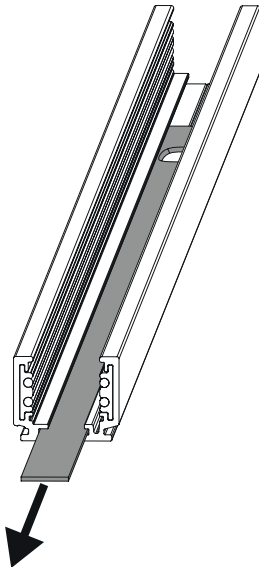
5



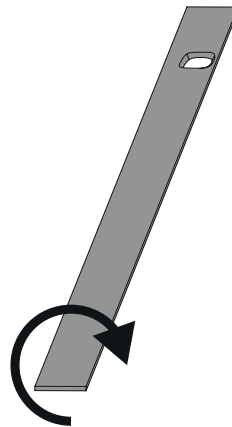
6



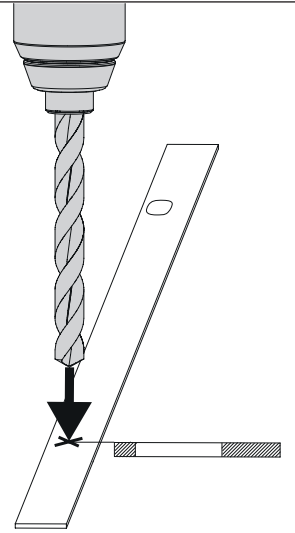
7



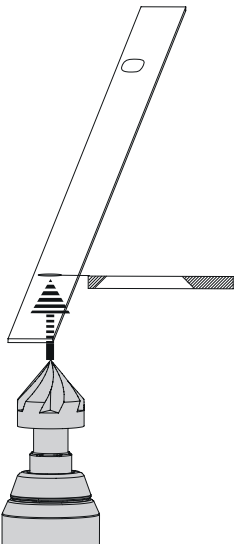
8



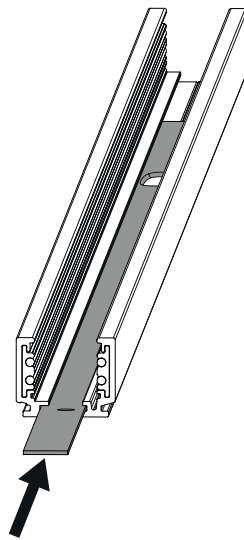
9



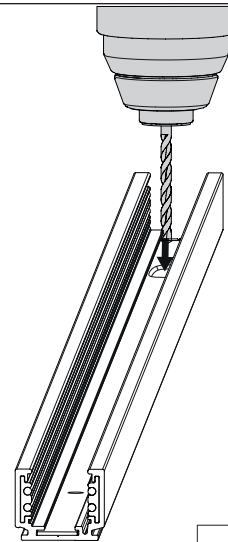
10



11



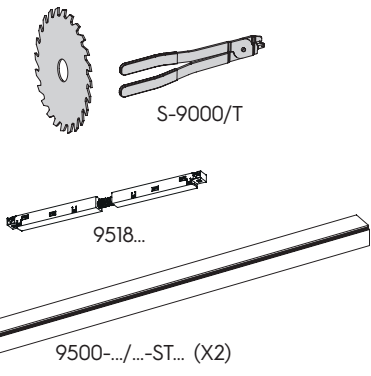
12



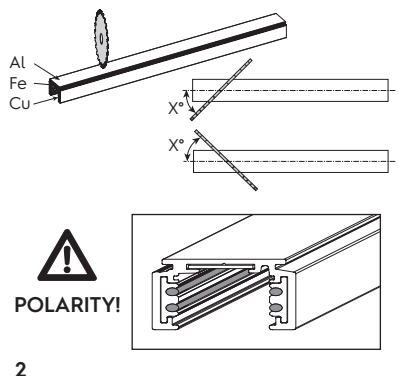
13

3 - CEILING  
FIXING  
fig. 2

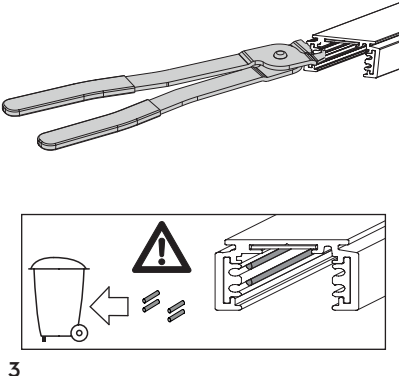
**9 - ≠ 90° ANGLE**



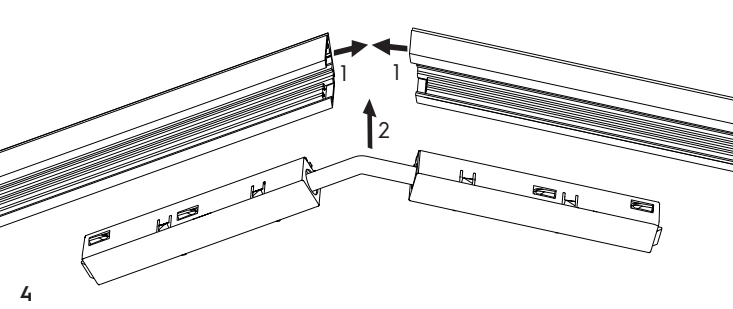
1



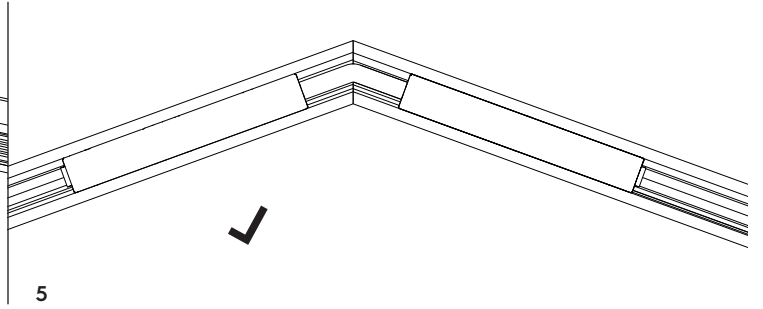
2



3

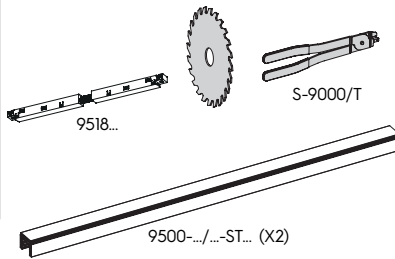


4

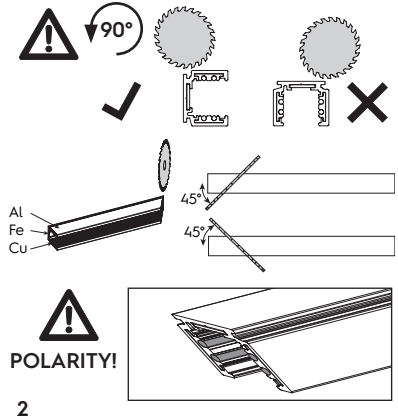


5

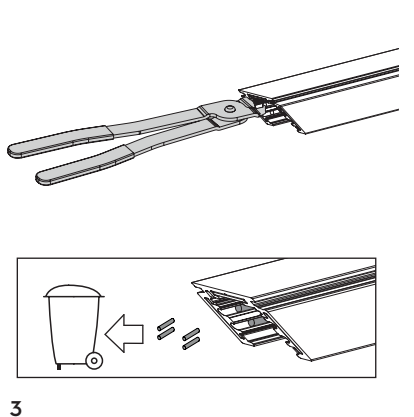
**10 - WALL CEILING  
90° ANGLE**



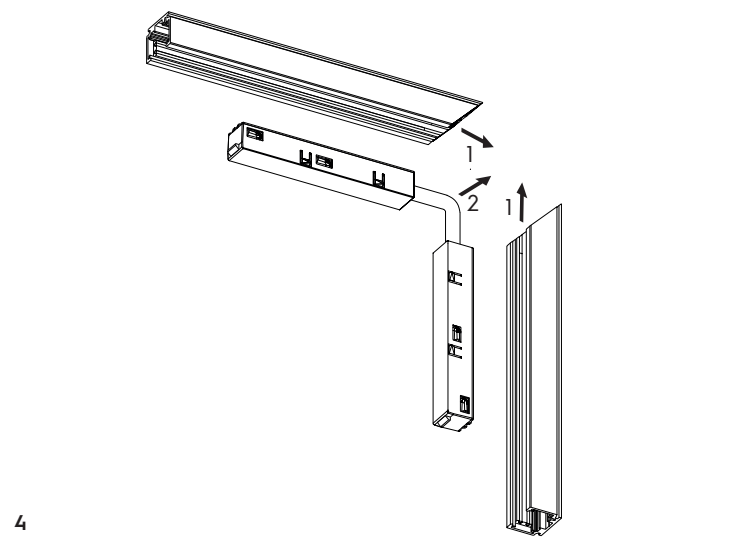
1



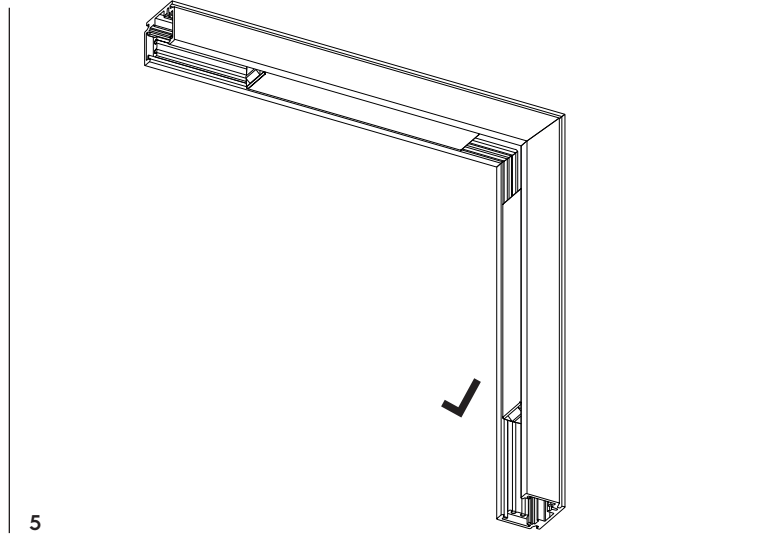
2



3

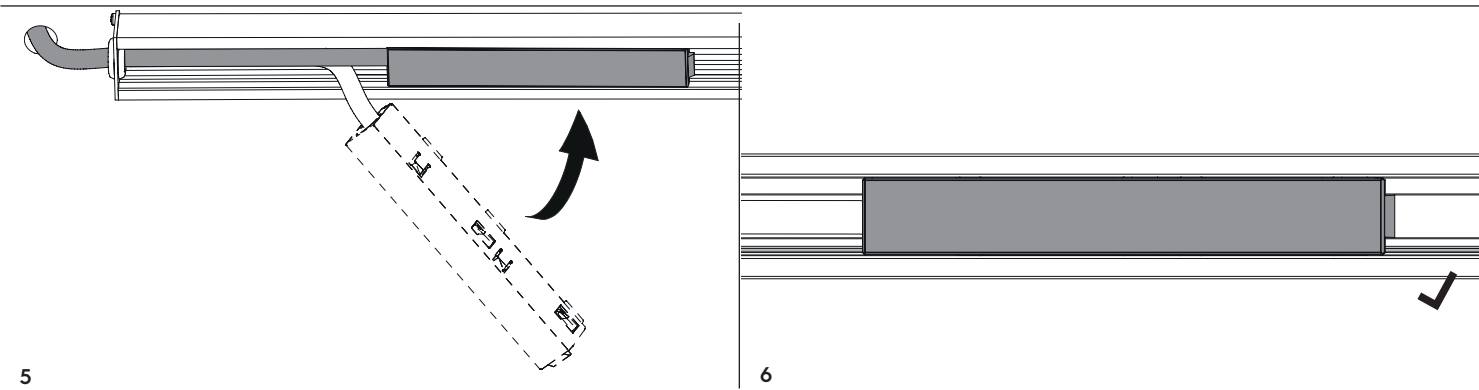
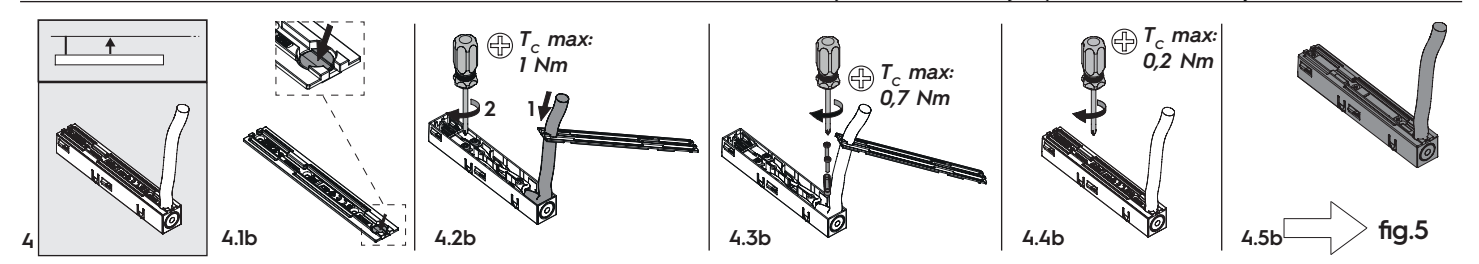
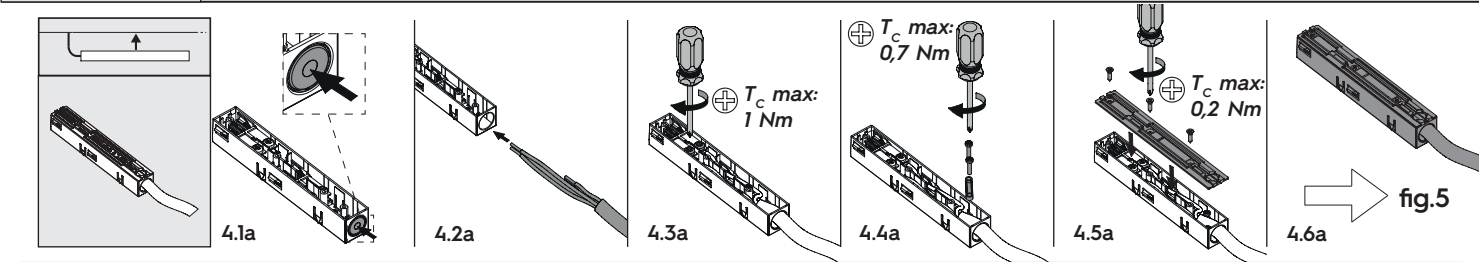
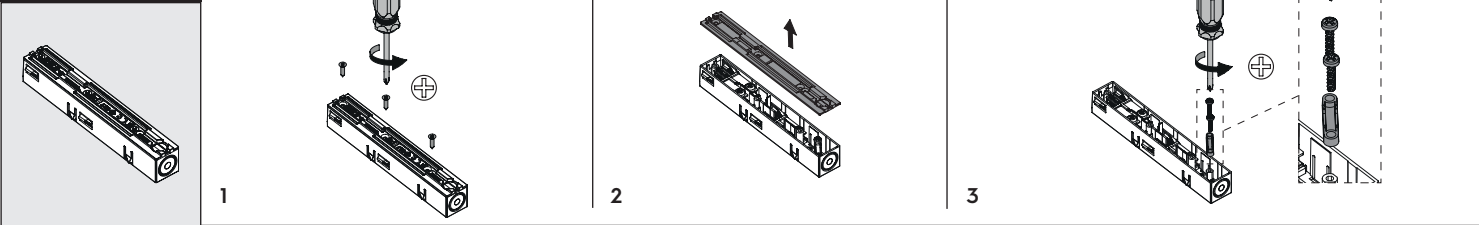


4



5

7 - 9501-S/...-E



8 - 90° ANGLE

