

# ST2-E ST6-E

# MULTISYSTEM evo



rev. 0



**1 - 9500-.../...-ST2-E**

CODE	L mm [ft]	
9500-1/...-ST2-E	1000 [3.28]	
9500-2/...-ST2-E	2000 [6.56]	
9500-3/...-ST2-E	3000 [9.84]	

**1b - 9500-.../...-ST6-E**

CODE	L mm [ft]	
9500-1/...-ST6-E	1000 [3.28]	
9500-2/...-ST6-E	2000 [6.56]	
9500-3/...-ST6-E	3000 [9.84]	

## 2 - USE

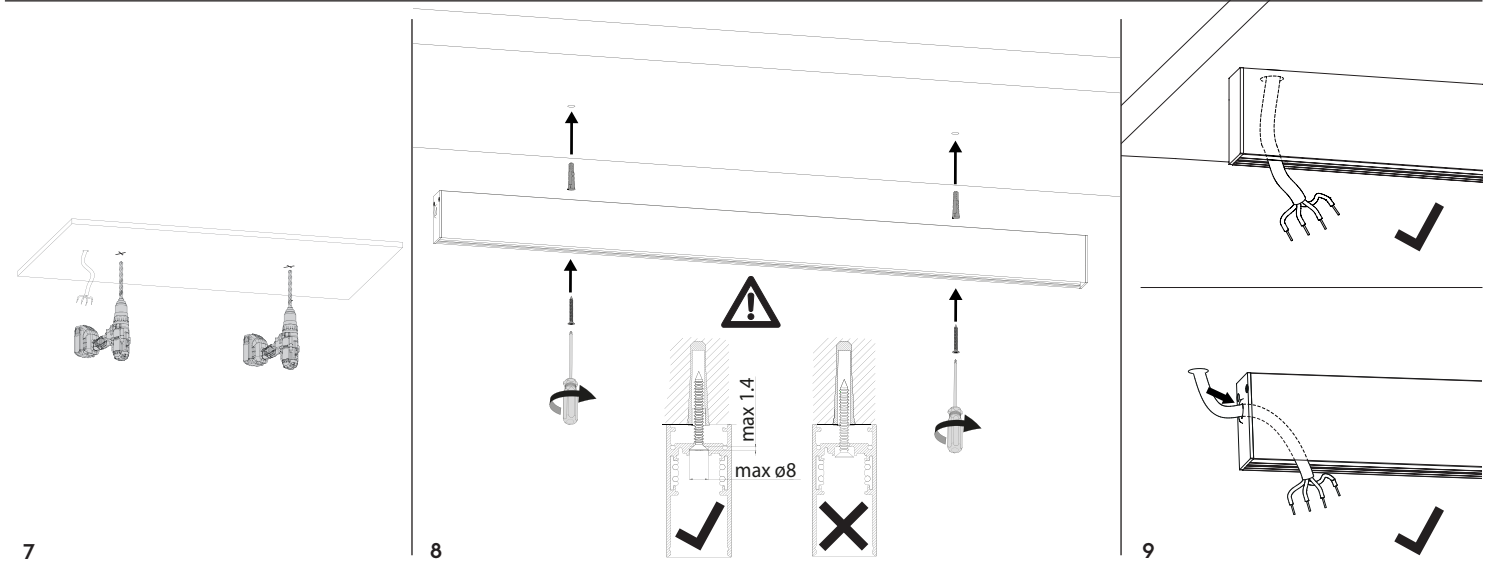
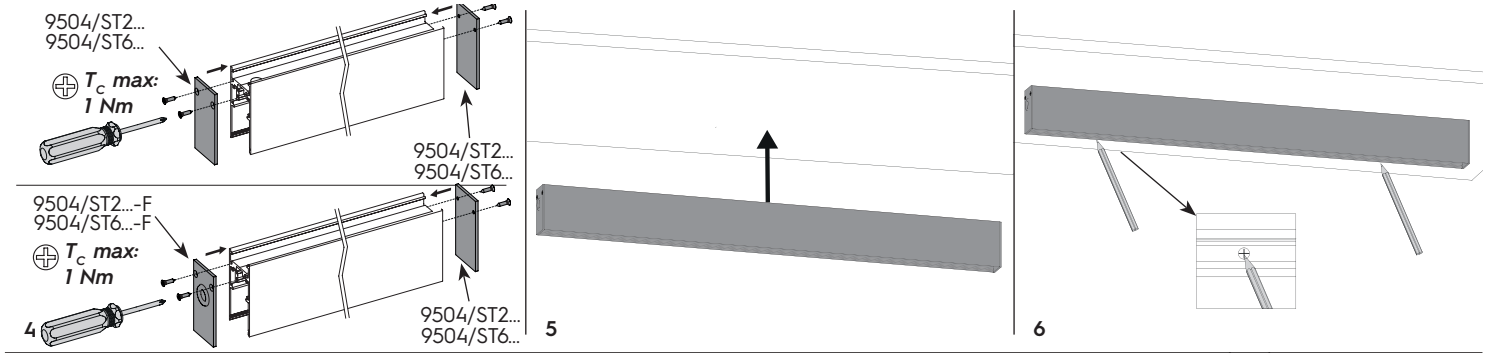
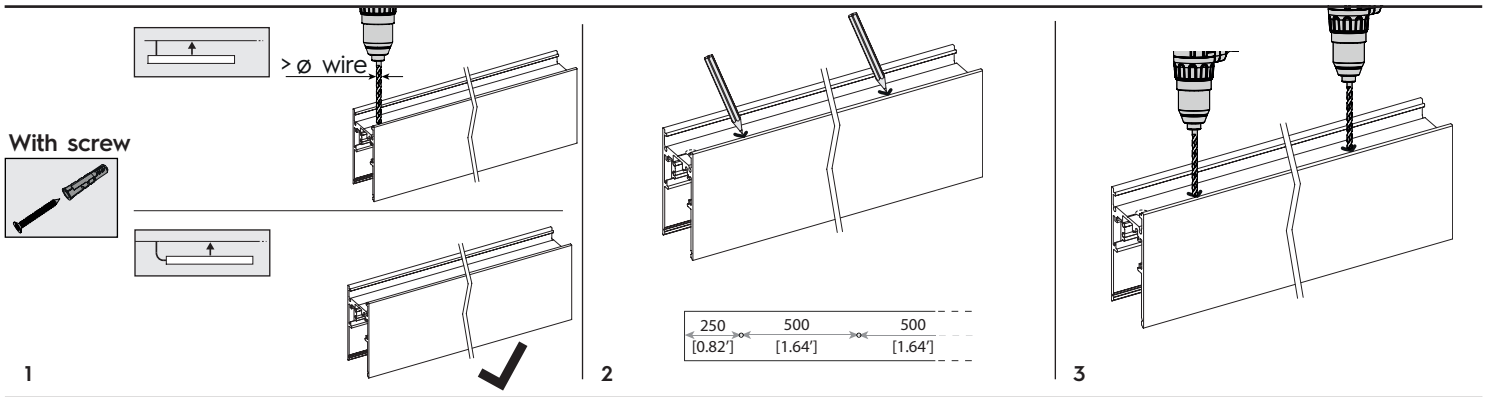
Ceiling

Wall

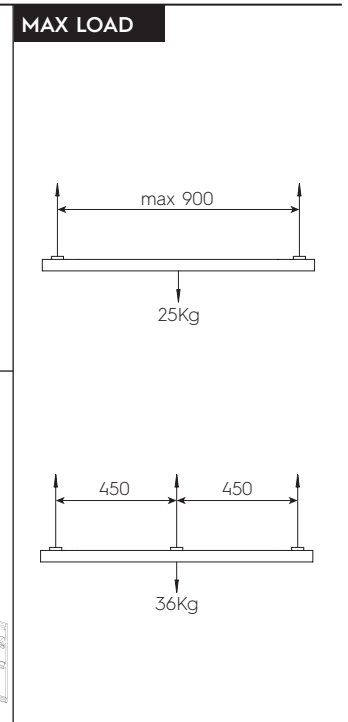
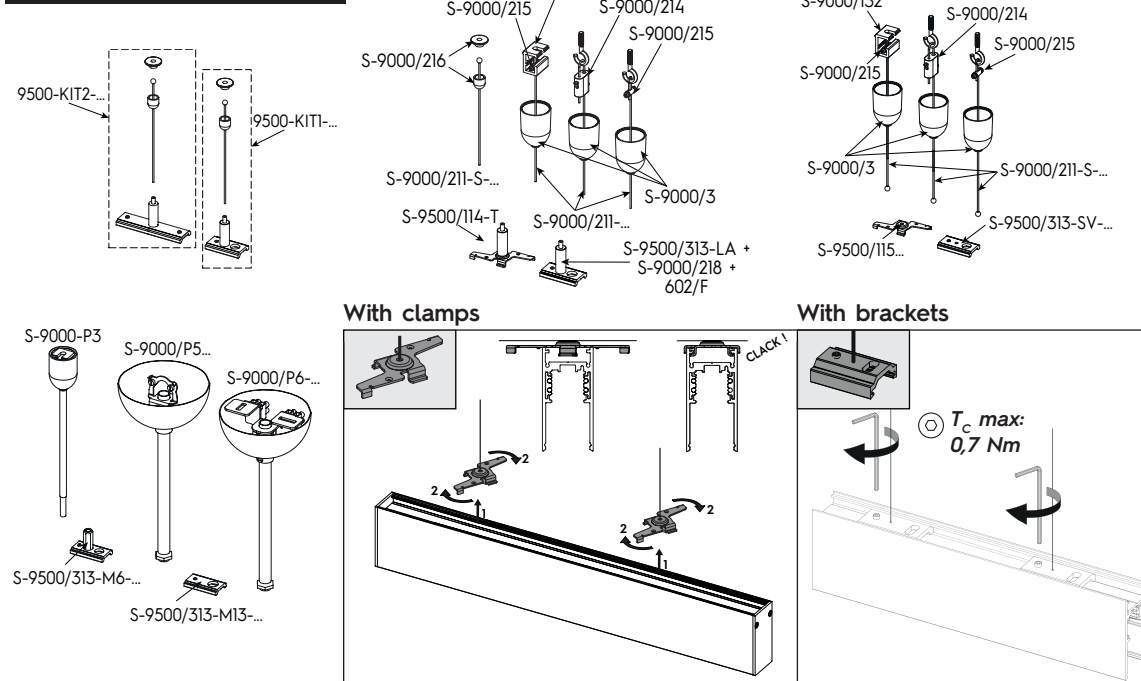
Suspended

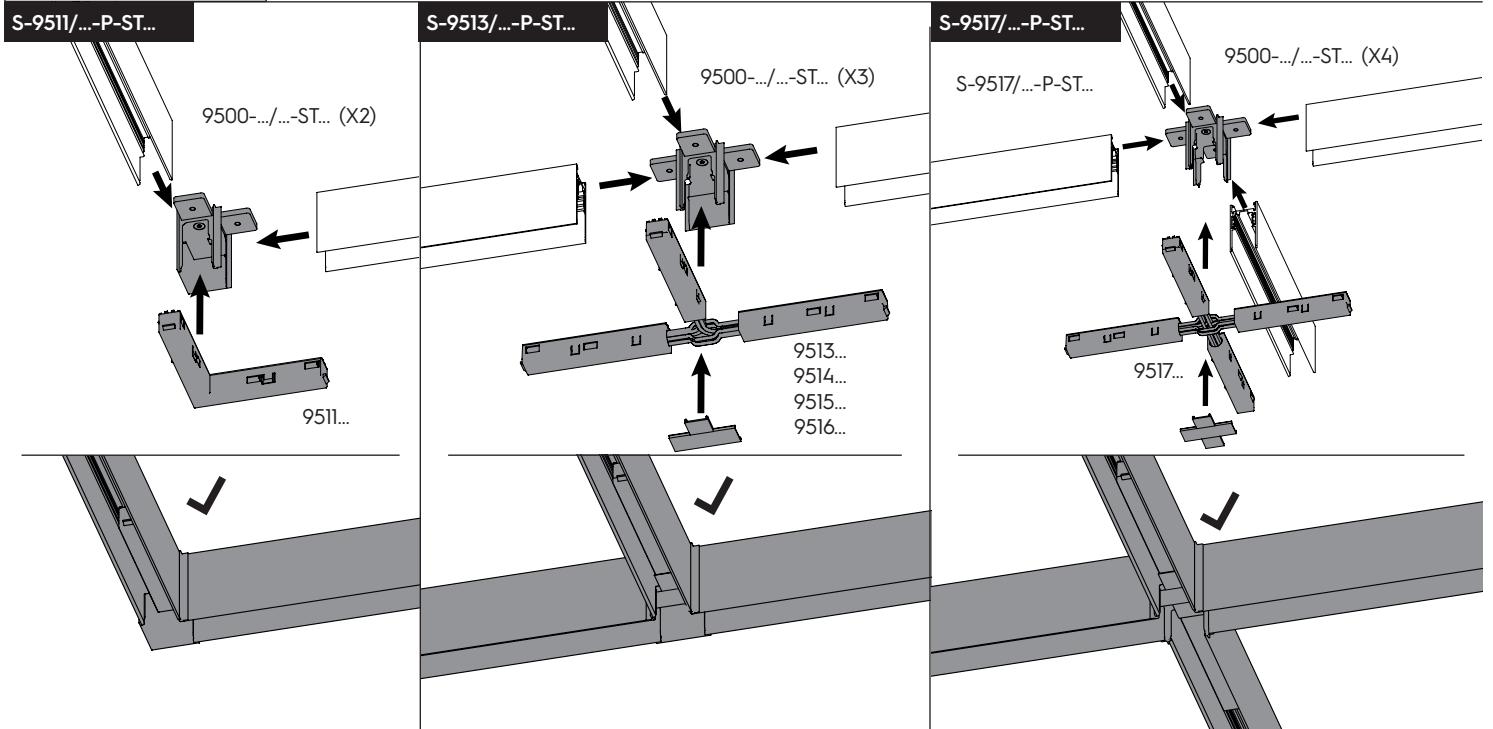
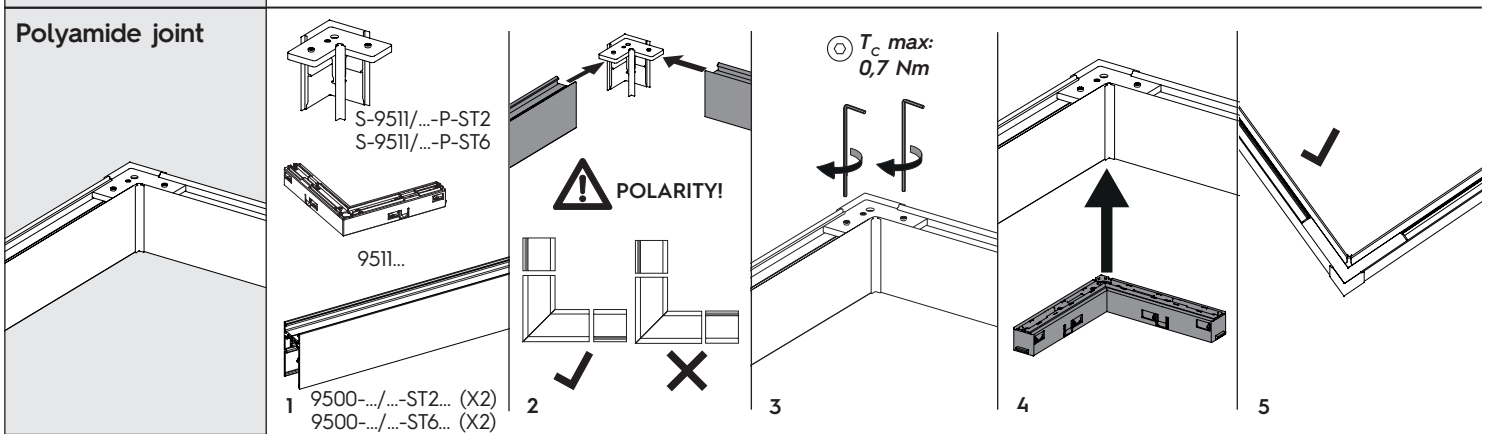
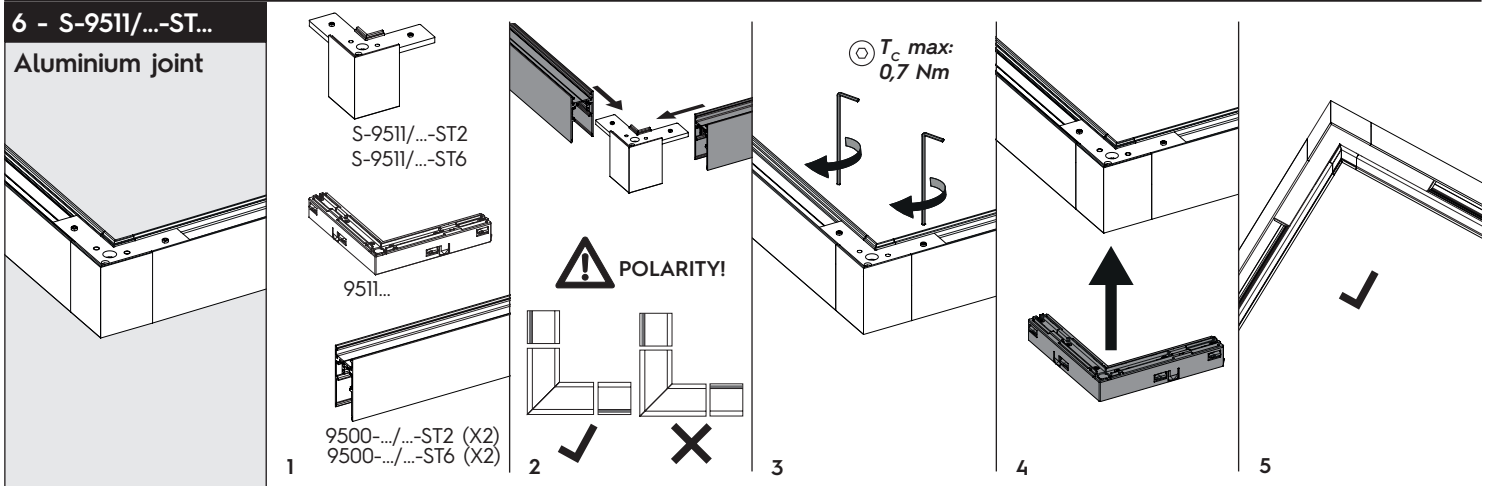
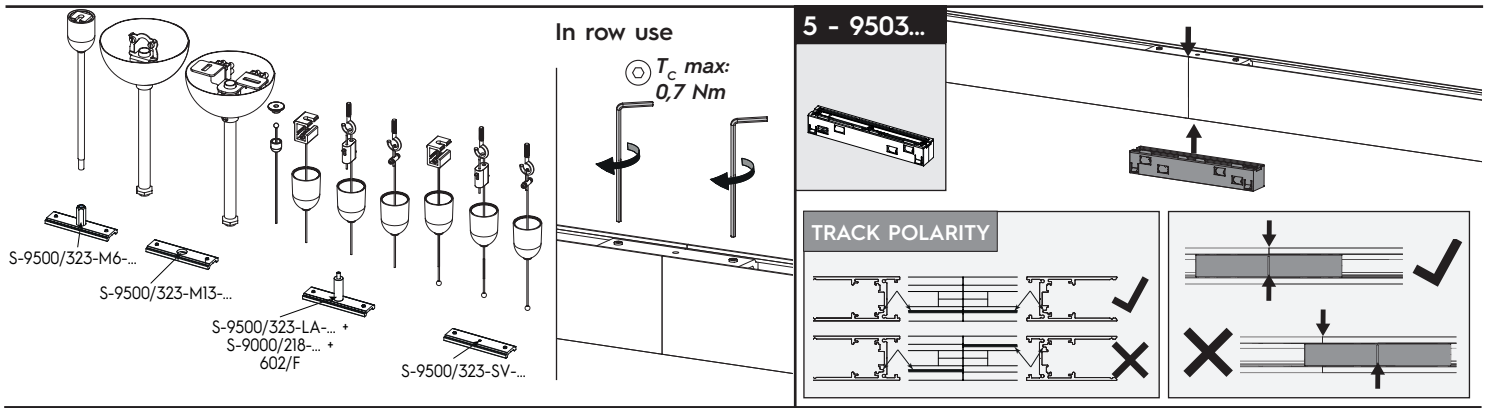
## 3 - CEILING FIXING

With S-9500/114

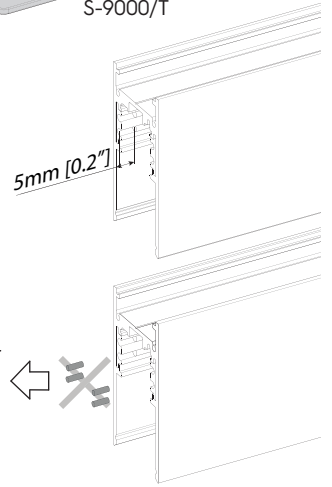
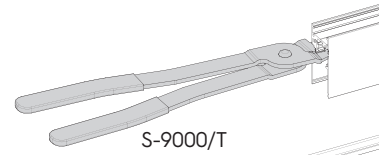
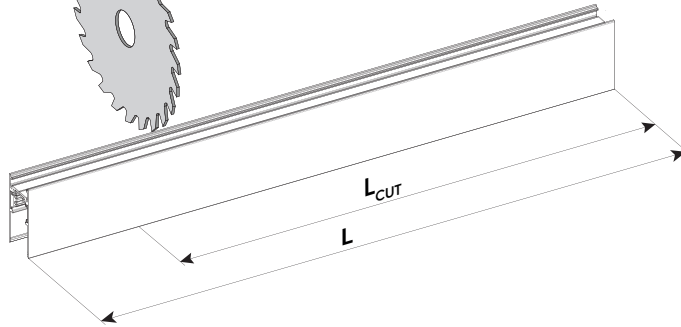
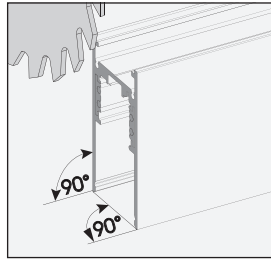
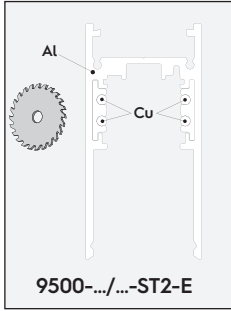


#### 4 - SUSPENDED FIXING





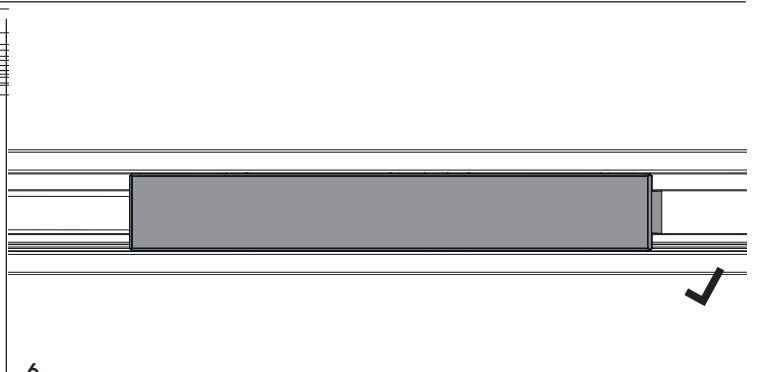
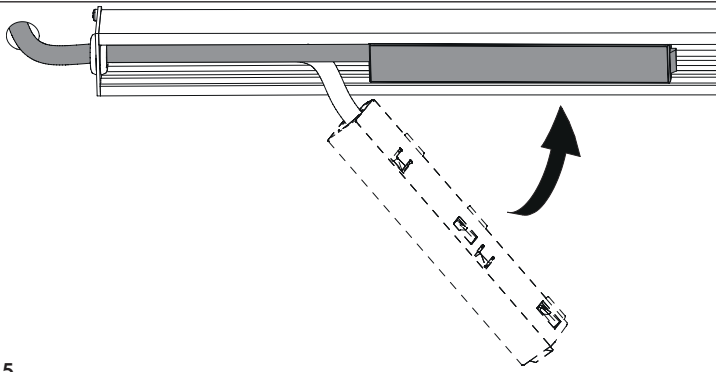
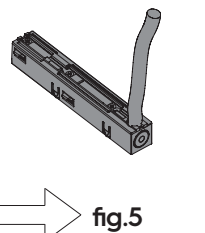
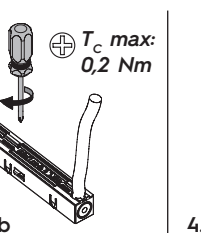
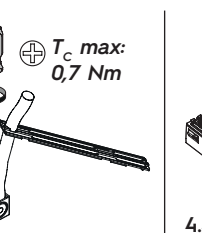
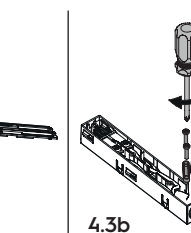
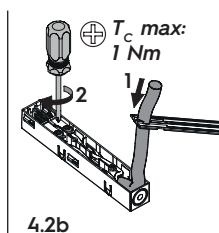
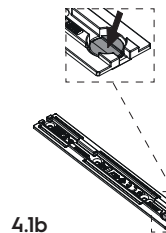
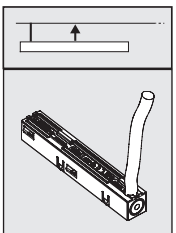
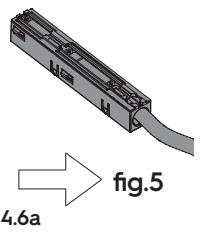
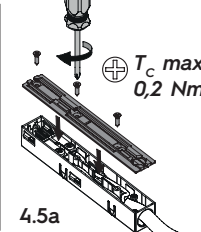
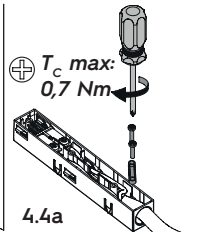
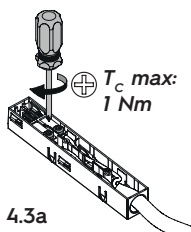
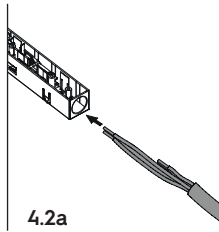
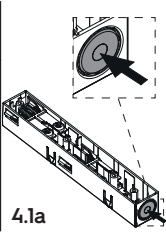
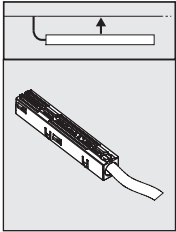
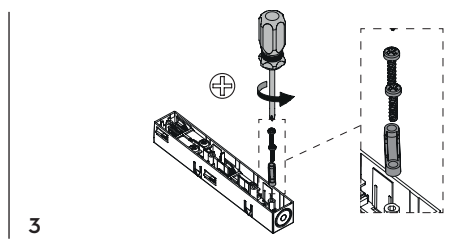
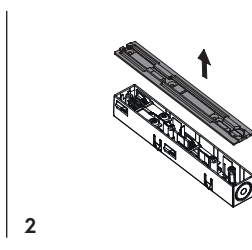
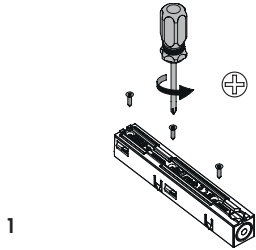
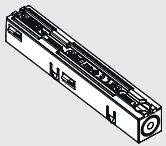
# 7 - CUTTING



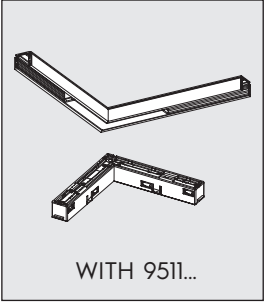
1

2

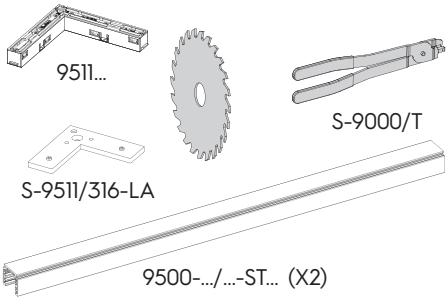
# 8 - 9501-S/...-E



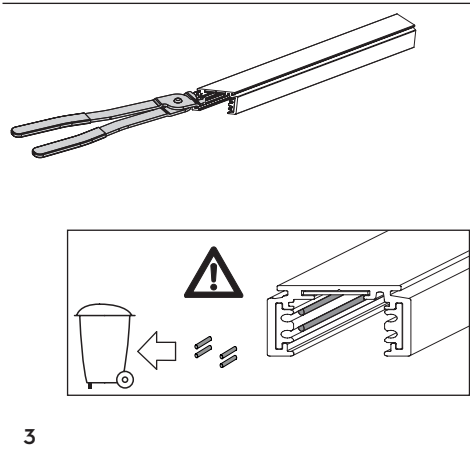
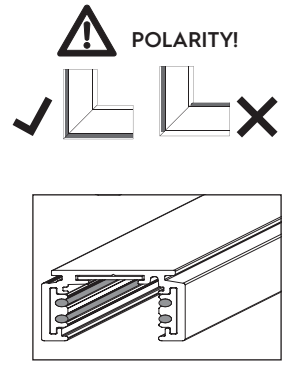
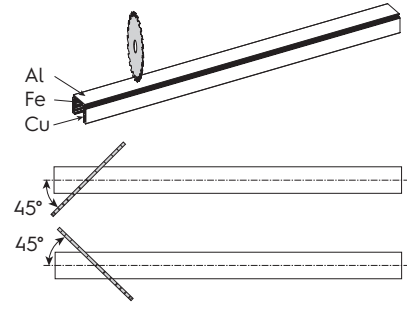
**9 - 90° ANGLE**



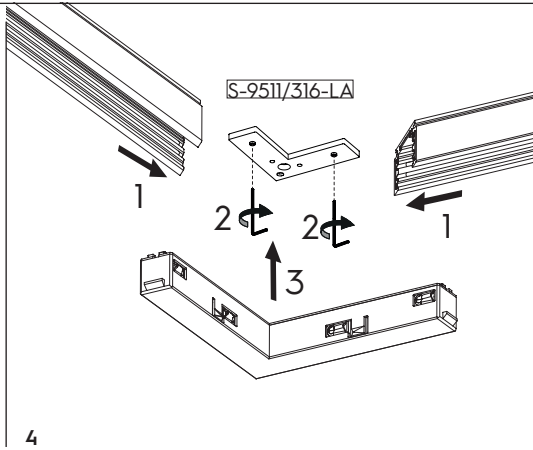
1



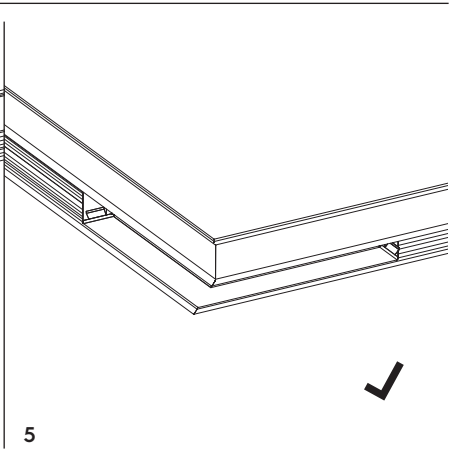
2



3

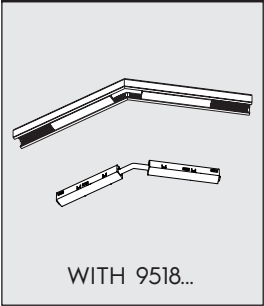


4

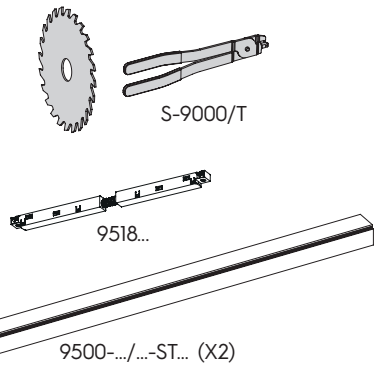


5

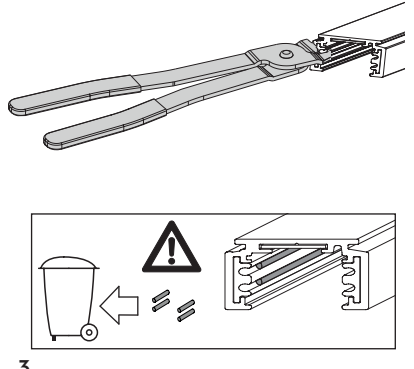
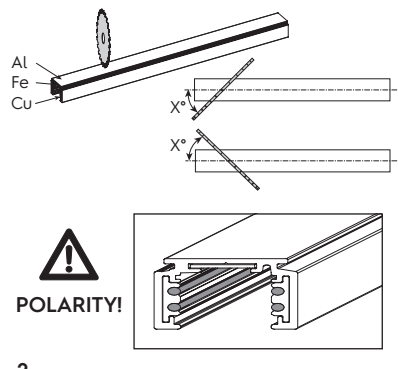
**10 - ≠ 90° ANGLE**



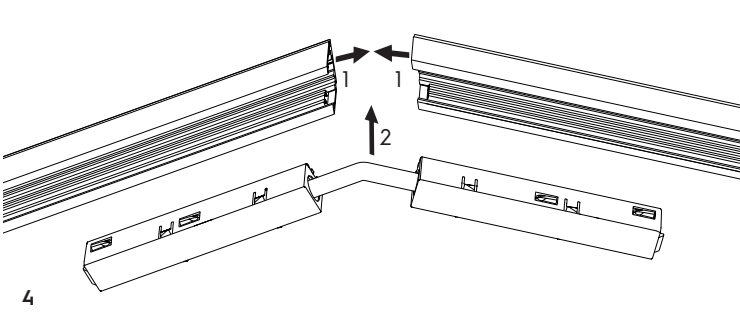
1



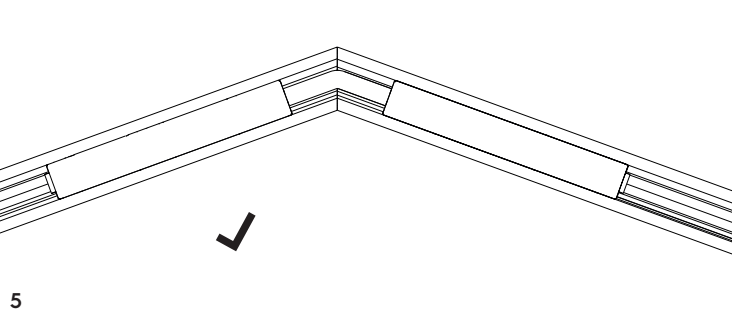
2



3



4

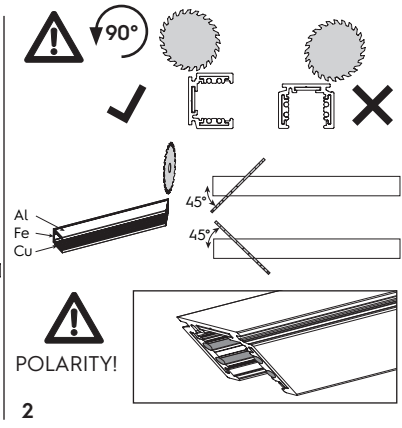
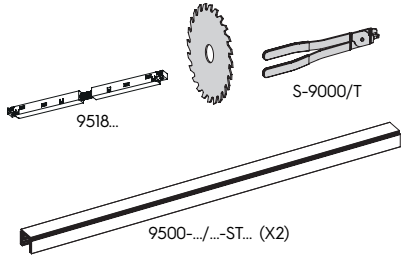


5

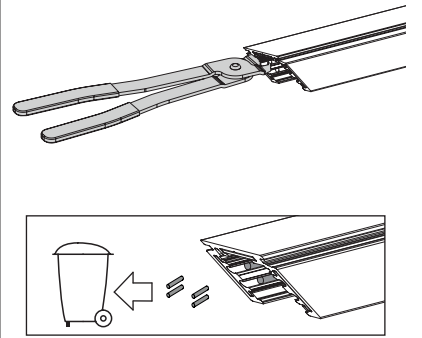
**T1 - WALL CEILING  
90° ANGLE**



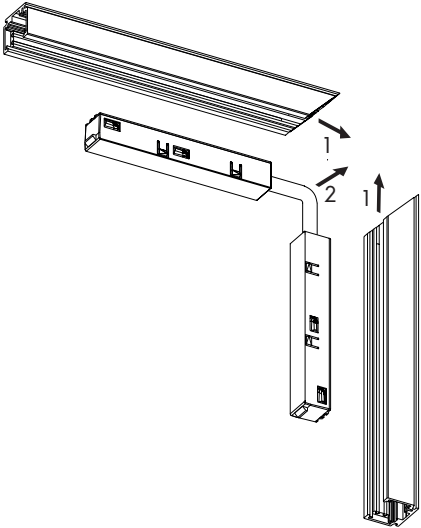
1



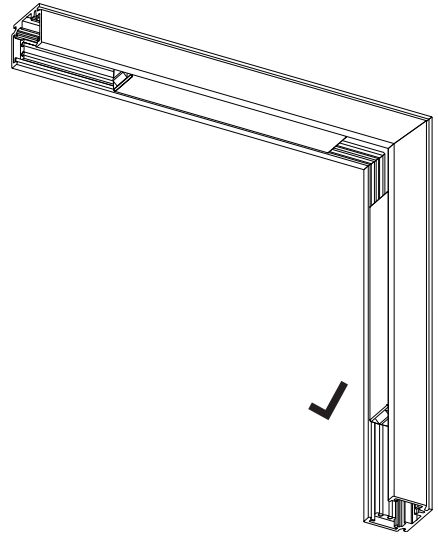
2



3



4



5