

CORES SYSTEM TEM

A.A.G.
STUCCHI

EUTRAC

CORE5

Discover more

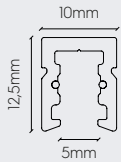


CORE5 is the first system based on CORE concept. The core is a track itself, made of a **proprietary polymer** which maintains the **mechanical and electrical features** of a standard track.

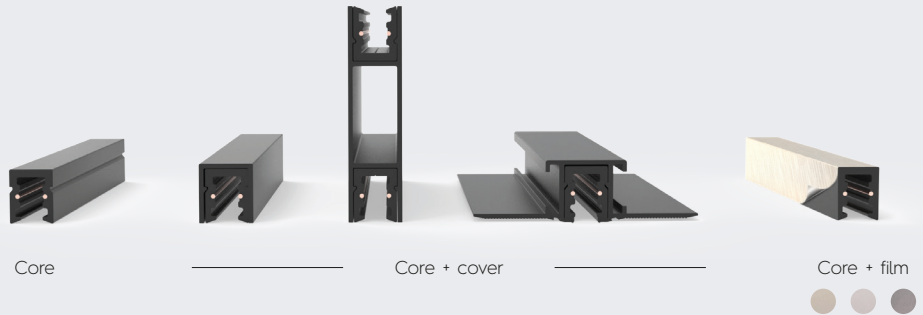
The core can be used as it is for ceiling or embedded applications, while the use of **aluminium covers** makes all the other installation types possible. Covers can be customized in colour, finishing, shape and size thus giving the maximum freedom and flexibility in all applications and **films** give an aesthetic touch to surface ones.

CORE5 main feature is the **track size which is even smaller**, thus conveying a very elegant touch to residential, retail or any other specific application where space for track installation is limited and attention to details is a must.

Tech info



1 circuit: +/- 5A/60V dc



Materials:

Core: extruded body in black polymer

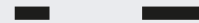
Covers: aluminium

Available cover colours: black embossed / white embossed

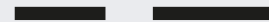
Available film colours: ● champagne ● natural ● stainless steel

Available lengths:

500mm 1000mm



2000mm 3000mm



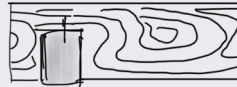
CORE5 mounting options

WOOD SHELF:

Ceiling

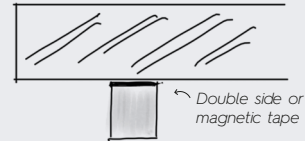


Embedded



GLASS / METAL SHELF / DRYWALL:

Ceiling



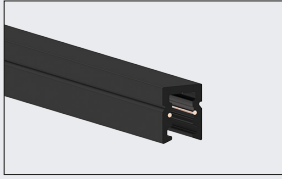
Inclined embedded



Side embedded



CORE5



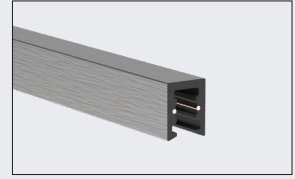
Surface track



Surface track with champagne film

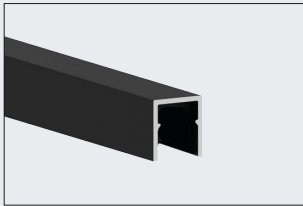


Surface track with natural film

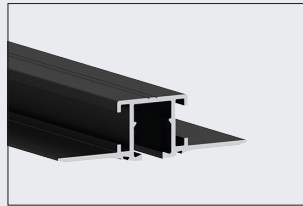


Surface track with stainless steel film

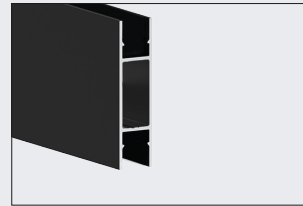
CORE5 covers



Surface aluminium S1 cover



Trimless aluminium S3 cover



Double track aluminium S7 cover

CORE5 connections

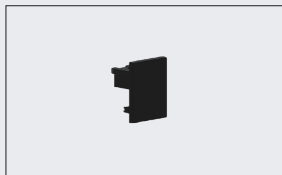


Concealed end-feed

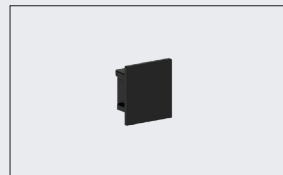


Joining connector

CORE5 end caps



End cap



End cap for surface cover

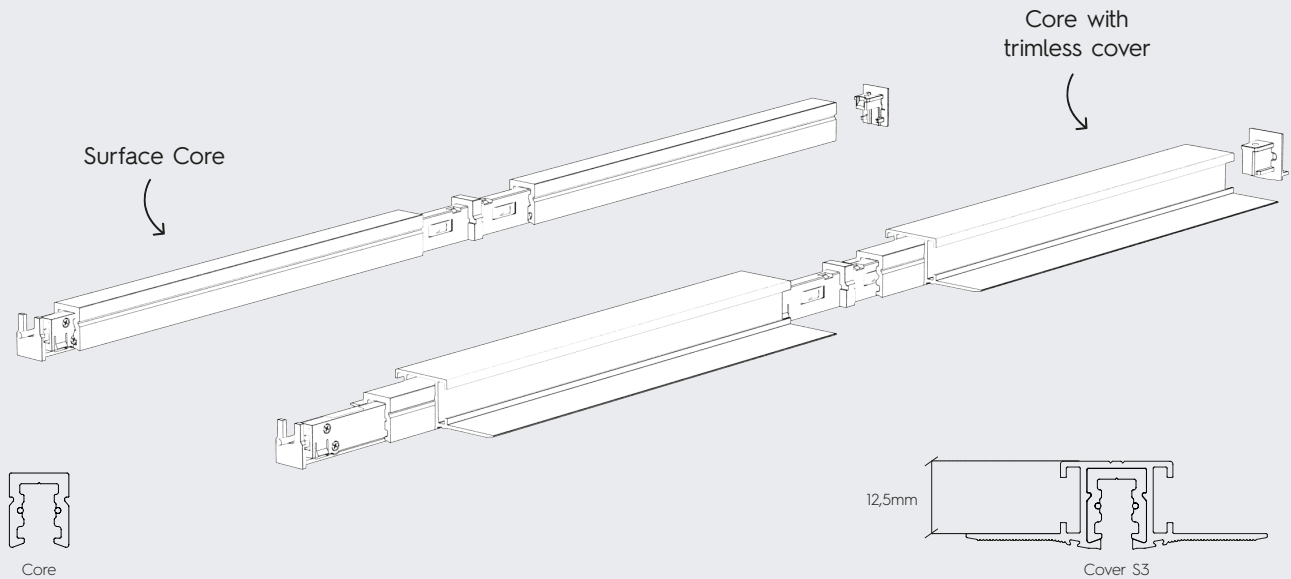


End cap for trimless cover

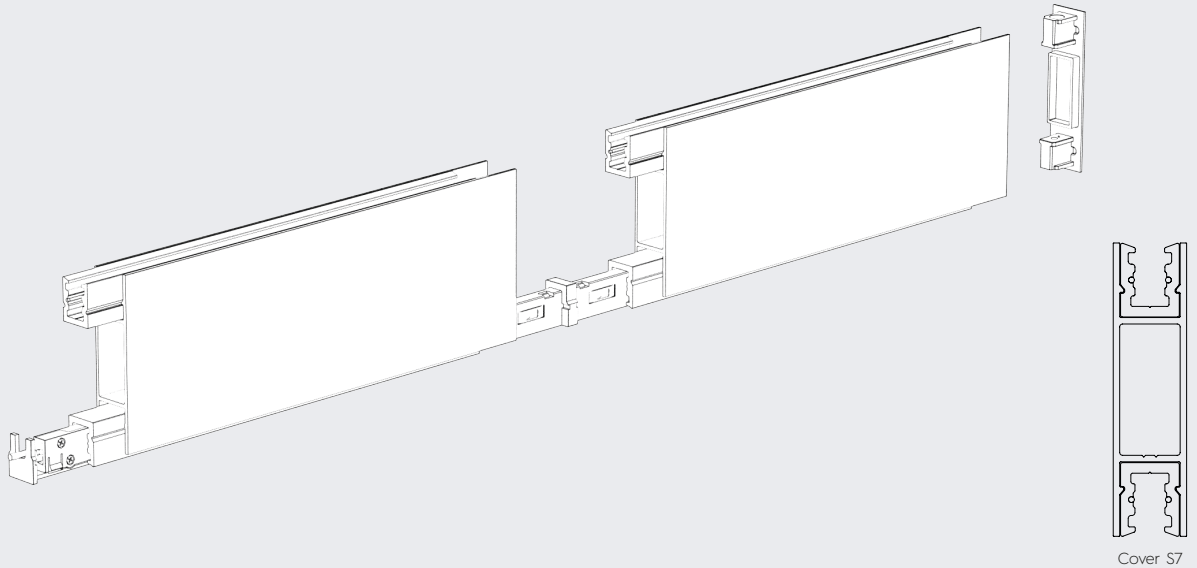


End cap for double emission cover

Surface Core / Core + trimless cover

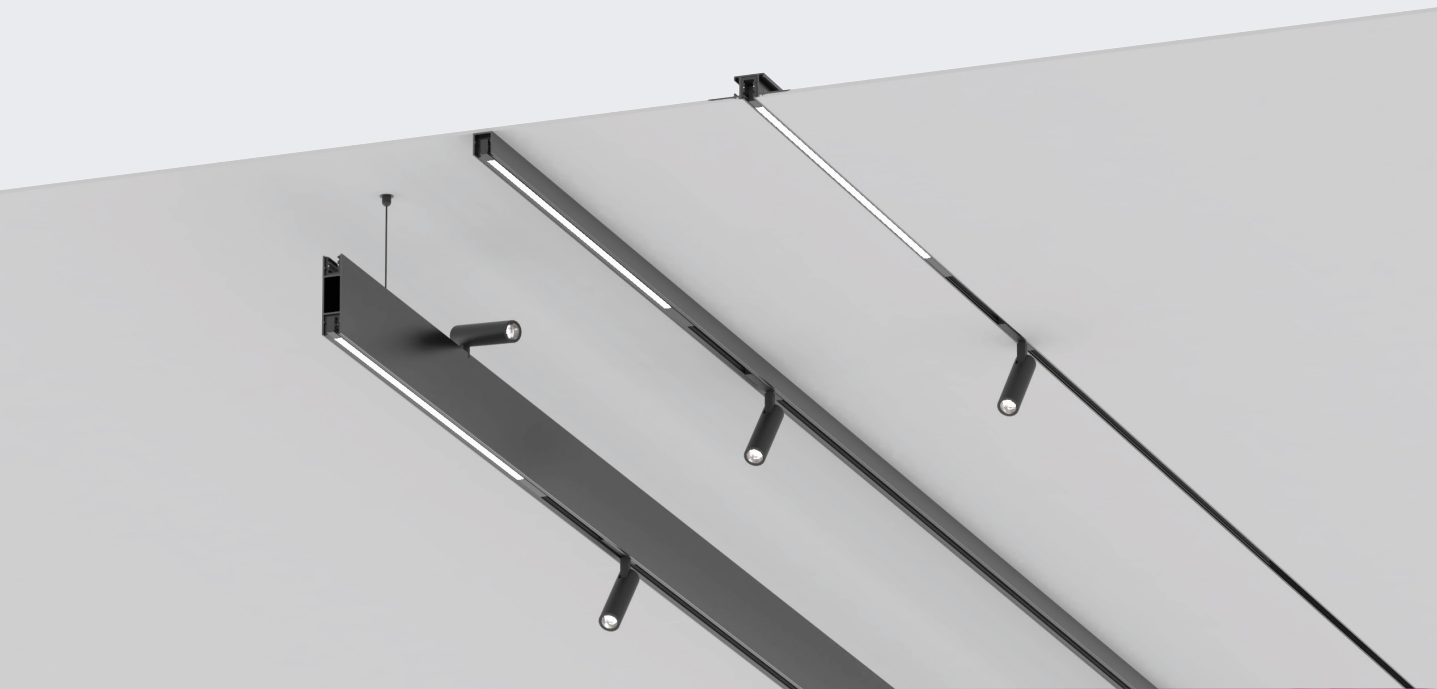


Core + suspended double track cover



Suspended double track application with spotlights and indirect light

Light inside CORE5



SENZAFINE FLAT M5

Linear light modules for diffuse light

[mm]	n°. LED Mod	[K]	I LED	REAL FLUX [lm]	POWER [W]	CRI
345	1	2700 / 3000 / 4000	24V Constant voltage	240,7 / 251,6 / 268,2	4,3	≥90
642	2	2700 / 3000 / 4000	24V Constant voltage	481,5 / 503,3 / 536,7	8,6	≥90
938	3	2700 / 3000 / 4000	24V Constant voltage	722,3 / 755 / 804,8	12,9	≥90
1235	4	2700 / 3000 / 4000	24V Constant voltage	963,1 / 1006,7 / 1073,1	17,3	≥90



SPOTLIGHT

A tiny luminaire to complete CORE5 system with accent light

Optic	n°. LED Mod	[K]	I LED	REAL FLUX [lm]	POWER [W]	CRI
Lens 26°	1	2700 / 3000 / 4000	24V Constant voltage	61,9 / 67,7 / 77,4	2,0	≥90
Lens 34°	1	2700 / 3000 / 4000	24V Constant voltage	70,2 / 76,7 / 87,7	2,0	≥90

