

# VS1

## Ex-Proof Visual-Audible Signaling Sounder



### Features

- Explosion proof visual-audible signalling sounder for universal applications in explosion endangered areas
- 3 tone types and up to 4 tone sequences selectable via DIP switch
- Power supply from mains (230 V AC)
- 5 lens colours

### Approvals

- ATEX certificate: PTB 04 ATEX 2012  
EN 60079-0 : 2009, EN 60079-7 : 2007,  
EN 60079-11 : 2007, EN 60079-18 : 2009

### Operation mode

DIP Switch	Mode
■ ■ ■ ■	Telephone Call Secondary Sounder
■ ■ ■ ■	Signalling Sounder

### Technical data

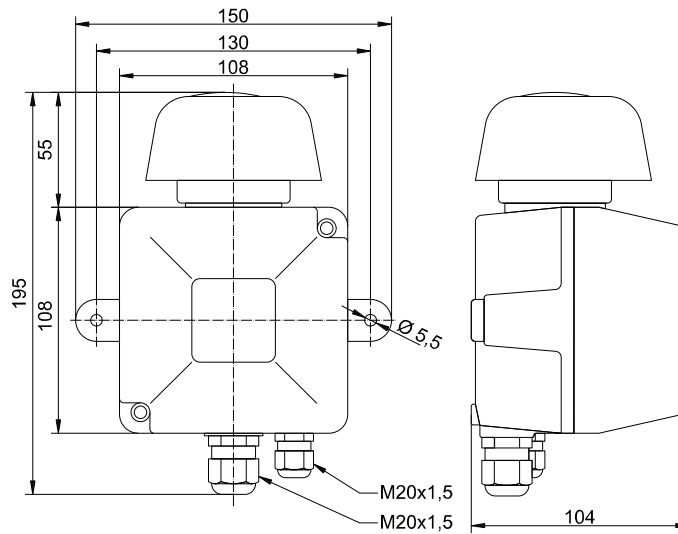
Type	VS1
Ingress protection	IP66
Temperature range	-20° to +60°C
Light source	Xenon 2 x 1J
Housing, colour	aluminium die-cast, black RAL 9005
Lens	polycarbonate, amber, red, clear, blue, green
Mounting	wall or ceiling
Weight	5,5kg
Acoustic signalling	loudspeaker
Terminal	up to 1,5mm <sup>2</sup> single or fine wire
Tone types	single/two tone or three tone selectable with DIP switch
Power supply	230Vac -15% +10%, 50/60Hz
Strobe frequency	1-2Hz
Cable entry	2 x M20x1,5
Cable diameter	6-12mm
Duty cycle factor	≤ 60min. at Ta +60°C ≤ 15min. at 60Hz (30min. pause)

### Tone settings

Tone type	DIP Switch	Tone sequence	
Single tone	■ ■ ■ ■	continuous tone	
	■ ■ ■ ■	120ms on	50ms off
Two tone	■ ■ ■ ■	16,6Hz	
	■ ■ ■ ■	50Hz	
	■ ■ ■ ■	16,6Hz	
Three tone	■ ■ ■ ■	50Hz	
	■ ■ ■ ■	120ms on	50ms off
	■ ■ ■ ■	60ms on	25ms off
	■ ■ ■ ■	60ms on	25ms off

# VS1

## Ex-Proof Visual-Audible Signaling Sounder



### Order data

Type	Order nr.	Classification	Denomination	Light source	Tone options		Nominal voltage	Voltage range
					Tone types	Sound pressure		
VS1	410 10[c] 005	1	Ex-proof visual-audible signalling sounder	2 x 1J xenon tube	3	90dB	230Vac	+/-10%

<sup>1</sup> Zone 1,2  
 II 2G Ex e mb [ib] IIC T6/T5/T4 Gb  
 -20°C ≤ Ta. ≤ +40°C/+50°C/+60°C

[c] Colour code for lens			
1	Amber	5	Blue
2	Red	6	Green
3	White		

