

Modular Beacon Series „M“

Steady-/Flashing-/Strobe-/Rotating Mirror Beacons „M“

ø 160 mm
MLL · MBL · MFL · MRL



ø 120 mm
MLM · MBM · MFM · MRM



ø 90 mm
MLS · MBS · MFS · MRS



MODULES

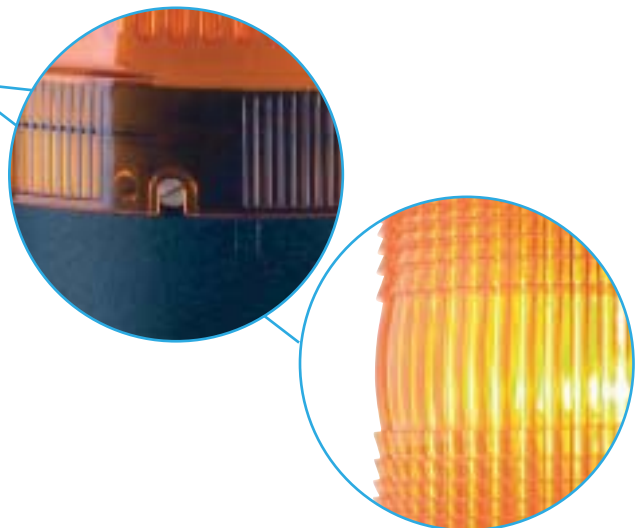


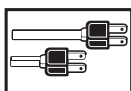


Models	160 mm	120 mm	90 mm
Steady beacon	MLL	MLM	MLS
Flashing beacon	MBL	MBM	MBS
Strobe beacon	MFL	MFM	MFS
Rotating mirror beacon	MRL	MRM	MRS

- Features**
- modular beacon series
 - powerful, flexible and robust system
 - easy to mount and service, maintenance friendly design
 - M20 cable gland/M20 blind plug and grommet in bottom
 - safety screw for lens cannot be lost
 - distinct lens ribbing – optimal light dispersion
 - temperature monitoring in 160 mm strobe beacons
 - automatic strobe energy/frequency reduction in extreme situations
 - rotating mirror beacons:**
 - synthetic bearings – extremely high operating safety (no corrosion possible)
 - speed selection 90/180 rpm as standard
 - speed monitoring by foto cell (constant rotating speed independent of voltage, age, temperature)

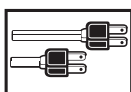
Legend		M_ _ Modular Beacons „M“	
L	steady beacon		
B	flashing beacon	_ _L	L = Large / ø 160 mm
F	strobe beacon	_ _M	M = Medium / ø 120 mm
R	rotating mirror beacon	_ _S	S = Small / ø 90 mm





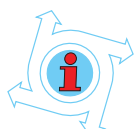
Technical data

Type	Steady Beacons			Flashing Beacons		
	MLL	MLM	MLS	MBL	MBM	MBS
Diameter	160 mm	120 mm	90 mm	160 mm	120 mm	90 mm
Housing, Colour	polycarbonate, black					
Lens, Colour	polycarbonate, amber, red, clear, blue, green, yellow					
Cable entry	bottom grommet or cable gland					
	from the side 5-12 mm bottom 7-14 mm	from t. side 5-12 mm bottom 5-7 mm		from the side 5-12 mm bottom 7-14 mm	from t. side 5-12 mm bottom 5-7 mm	
Mounting	horizontal, vertical, pole, magnet					
Duty cycle factor	100 %					
Protection class	IP 65 (IEC529) · UL Type 4,4X,13					
Terminals	2,5 mm ²					
Temperature range (Einsatz)	-25 °C to +50 °C		-25 °C to +60 °C	-25 °C to +60 °C		
Type of light	halogen bulb					
Socket	GY 6.35 / G 6.35					
Life time (light source)	1.500-5.000 h					
Wattage	50 W	35 W	20 W	50 W	35 W	20 W
Flashing/Strobe frequency	1 Hz					



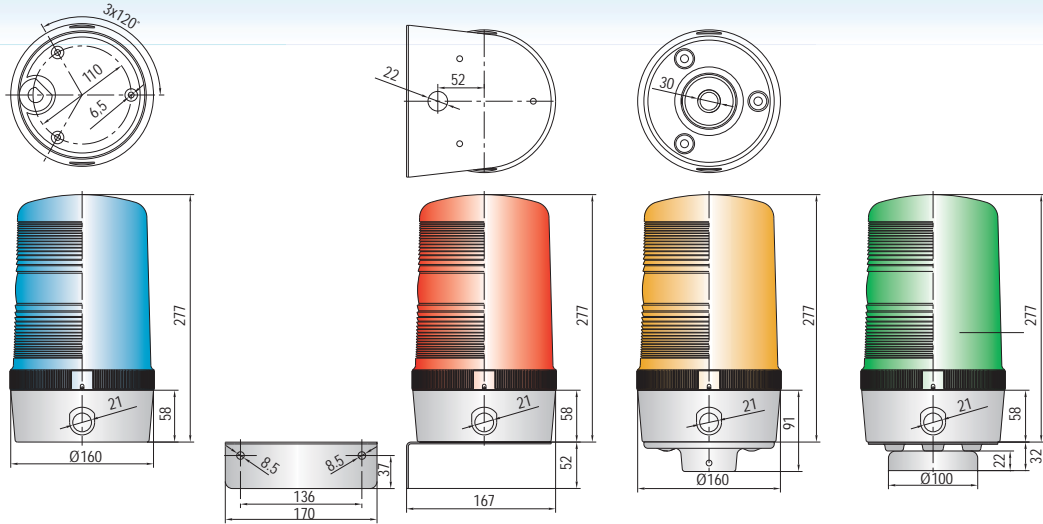
Technical data

Type	Strobe Beacons			Rotating Mirror Beacons		
	MFL	MFM	MFS	MRL	MRM	MRS
Diameter	160 mm	120 mm	90 mm	160 mm	120 mm	90 mm
Housing, Colour	polycarbonate, black					
Lens, Colour	polycarbonate, amber, red, clear, blue, green, yellow					
Cable entry	bottom grommet or cable gland					
	from the side 5-12 mm bottom 7-14 mm	from t. side 5-12 mm bottom 5-7 mm		from the side 5-12 mm bottom 7-14 mm	from t. side 5-12 mm bottom 5-7 mm	
Mounting	horizontal, vertical, pole, magnet					
Duty cycle factor	100 %					
Protection class	IP 65 (IEC529) · UL Type 4,4X,13					
Terminals	2,5 mm ²					
Temperature range (Einsatz)	-25 °C to +60 °C			-25 °C to +50 °C		-25 °C to +60 °C (12/24 V) -25 °C to +50 °C (120/240 V)
Type of light	xenon tube			halogen bulb		
Socket	screw terminal		soldered	GY 6.35 / G 6.35		
Life time (light source)	1.500-5.000 h					
Life time (motor)				5.000 h	5.000 h	3.000 h
Wattage	30 J	15 J	7 J	50 W	35 W	20 W
Flashing/Strobe frequency	1 Hz					
Mirror rotation speed	90/180 rpm switchable					

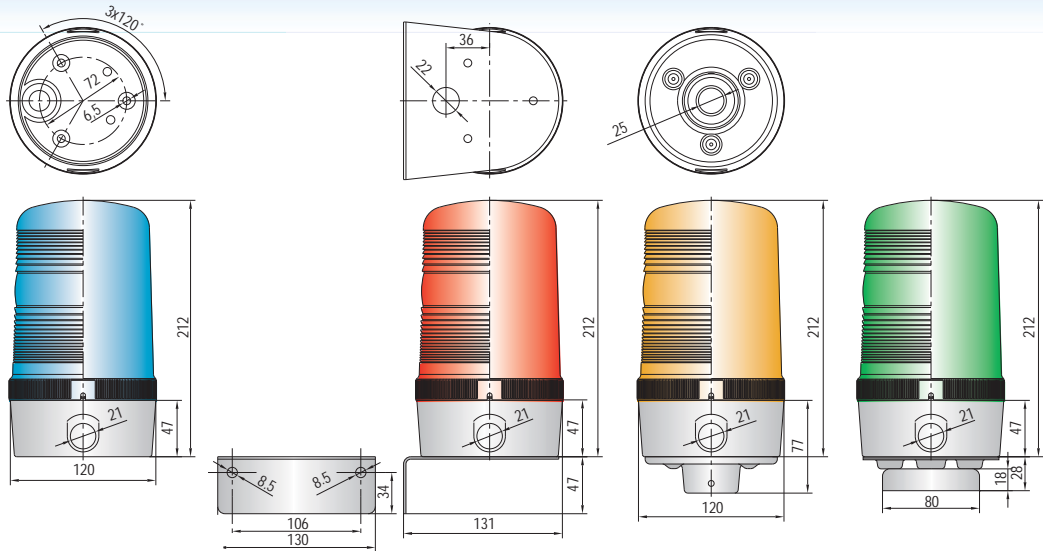


Note: All models of modular beacons „M“ are supplied as standard with separately packed light source !

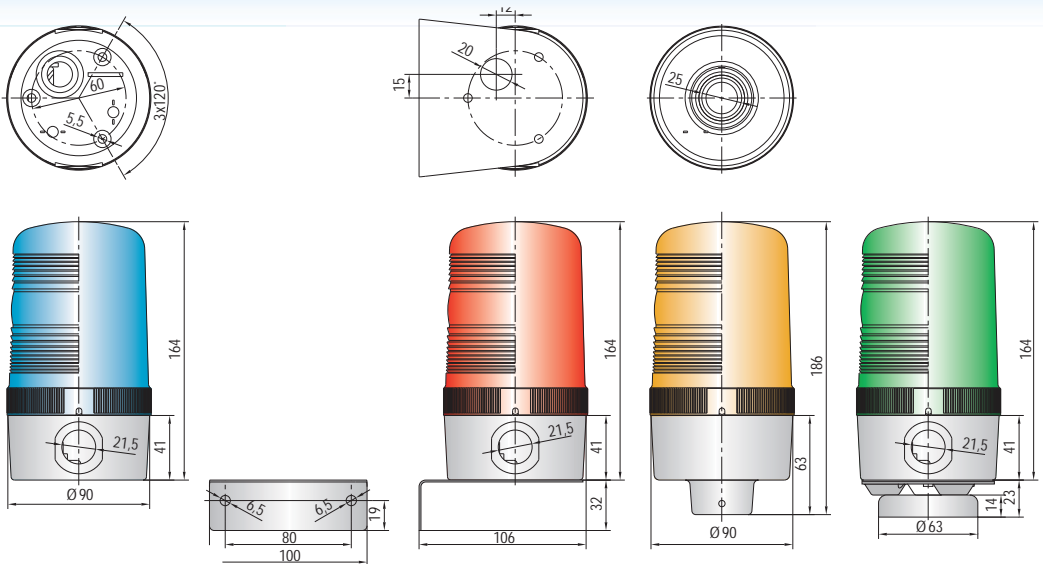
MLL-MBL-MFL-MRL



MLM-MBM-MFM-MRM



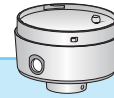
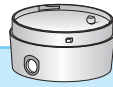
MLS-MBS-MFS-MRS



Modular Beacon Series „M“



Order data



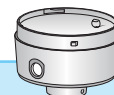
160 mm



Type	Denomination	Nominal voltage (V)	Order No.				Nominal current (A)
			Base horizontal mounting	Weight (g)	Base pole mounting	Weight (g)	
MLL	Steady beacon	12 V AC/DC	819 10C 404	800	819 30C 404	1300	4,0
		24 V AC/DC	819 10C 405		819 30C 405		2,1
		110/120 V AC	819 10C 310		819 30C 310		0,42
		230/240 V AC/DC	819 10C 313		819 30C 313		0,21
MBL	Flashing beacon	12 V AC/DC	839 10C 404	820	839 30C 404	1320	4,0
		24 V AC/DC	839 10C 405		839 30C 405		2,1
		110/120 V AC	839 10C 310		839 30C 310		0,42
		230/240 V AC	839 10C 313		839 30C 313		0,21
MFL	Strobe beacon	24 V AC/DC	849 10C 405	920	849 30C 405	1420	1,9
		110/120 V AC	849 10C 310		849 30C 310		0,7
		230/240 V AC	849 10C 313		849 30C 313		0,35
MRL	Rotating mirror beacon	12 V AC/DC	419 10C 404	970	419 30C 404	1470	4,2
		24 V AC/DC	419 10C 405		419 30C 405		2,3
		110/120 V AC	419 10C 310		419 30C 310		0,58
		230/240 V AC	419 10C 313		419 30C 313		0,39
Accessories for models with horizontal mounting							
	Bracket		819 200 900	500			
	Bonding kit		819 201 900	15			
	Mounting plate		819 202 900	220			
	Magnetic mount		819 203 900	1.030			



Order data



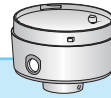
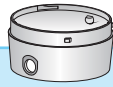
120 mm



Type	Denomination	Nominal voltage (V)	Order No.				Nominal current (A)
			Base horizontal mounting	Weight (g)	Base pole mounting	Weight (g)	
MLM	Steady beacon	12 V AC/DC	818 10C 404	480	818 30C 404	760	2,9
		24 V AC/DC	818 10C 405		818 30C 405		1,5
		110/120 V AC	818 10C 310		818 30C 310		0,29
		230/240 V AC/DC	818 10C 313		818 30C 313		0,15
MBM	Flashing beacon	12 V AC/DC	838 10C 404	500	838 30C 404	780	2,9
		24 V AC/DC	838 10C 405		838 30C 405		1,5
		110/120 V AC	838 10C 310		838 30C 310		0,29
		230/240 V AC	838 10C 313		838 30C 313		0,15
MFM	Strobe beacon	12-24 V AC/DC	848 10C 405	520	848 30C 405	800	24 V: 0,8 (12 V: 1,3)
		110/120 V AC	848 10C 310		848 30C 310		0,32
		230/240 V AC	848 10C 313		848 30C 313		0,15
MRM	Rotating mirror beacon	12 V AC/DC	418 10C 404	620	418 30C 404	900	3,2
		24 V AC/DC	418 10C 405		418 30C 405		1,7
		110/120 V AC	418 10C 310		418 30C 310		0,32
		230/240 V AC	418 10C 313		418 30C 313		0,17
Accessories for models with horizontal mounting							
	Bracket		818 200 900	320			
	Bonding kit		819 201 900	15			
	Mounting plate		818 202 900	130			
	Magnetic mount		818 203 900	600			



Order data

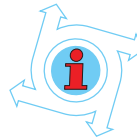


90 mm



Type	Denomination	Nominal voltage (V)	Order No.				Nominal current (A)
			Base horizontal mounting	Weight (g)	Base pole mounting	Weight (g)	
MLS	Steady beacon	12 V AC/DC	817 10C 404	260	817 30C 404	450	1,7
		24 V AC/DC	817 10C 405		817 30C 405		0,83
		110/120 V AC	817 10C 310		817 30C 310		0,17
		230/240 V AC/DC	817 10C 313		817 30C 313		0,085
MBS	Flashing beacon	12 V AC/DC	837 10C 404	270	837 30C 404	460	1,7
		24 V AC/DC	837 10C 405		837 30C 405		0,83
		110/120 V AC	837 10C 310		837 30C 310		0,17
		230/240 V AC	837 10C 313		837 30C 313		0,085
MFS	Strobe beacon	12-24 V AC/DC	847 10C 405	310	847 30C 405	520	24 V AC: 0,48 (12 V AC: 0,83) 24 V DC: 0,36 (12 V DC: 0,65)
		110/120 V AC	847 10C 310		847 30C 310		0,21
		230/240 V AC	847 10C 313		847 30C 313		0,12
							500
MRS	Rotating mirror beacon	12 V AC/DC	417 10C 404	370	417 30C 404	560	1,8
		24 V AC/DC	417 10C 405		417 30C 405		0,95
		110/120 V AC	417 10C 310	390	417 30C 310	580	0,3
		230/240 V AC	417 10C 313		417 30C 313		0,27
Accessories for models with horizontal mounting							
	Bracket		817 200 900	120			
	Bonding kit		819 201 900	15			
	Mounting plate		817 202 900	80			
	Magnetic mount		817 203 900	340			

Colour code for lens				C
1	amber	5	blue	
2	red	6	green	
4	clear	7	yellow	



NOTE: All models of modular beacons „M“ are supplied as standard with separately packed light source !

Replacement light source:

Halogen bulbs				
Type	Nominal voltage	Socket	Wattage (W)	Order No.
MLL-MBL-MRL				
HL51	12 V	GY 6.35	50 W	890 050 904
HL52	24 V			890 050 905
HL55	110/120 V	G 6.35		890 050 910
HL56	230/240 V			890 050 913
MLM-MBM-MRM				
HL31	12 V	GY 6.35	35 W	890 035 904
HL32	24 V			890 035 905
HL33	110/120 V	G 6.35		890 035 910
HL36	230/240 V			890 035 913
MLS-MBS-MRS				
HL21	12 V	GY 6.35	20 W	890 020 904
HL22	24 V			890 020 905
HL25	110/120 V	G 6.35		890 020 910
HL26	230/240 V			890 020 913

Xenon tubes			
Type		Strobe-energy	Order No.
XT30	MFL	30 J	890 130 900
XT15	MFM	15 J	890 115 900
XT07	MFS	7 J	890 107 900

DISTRIBUTOR

GEUKEN B.V.

Wattstraat 15a

2723 RA Zoetermeer / NETHERLANDS

Tel. +31 (0)79 361 60 70

Fax +31 (0)79 361 40 90

info@geuken.nl

www.geuken.nl

HEADQUARTERS

**J.AUER – FABRIK ELEKTRISCHER
MASCHINEN Ges.m.b.H.**

Perfektastraße 102

1230 Vienna / AUSTRIA

Tel. +43 (0)1 813 82 20

Fax +43 (0)1 815 99 51

office@auer-signal.com

www.auer-signal.com

SALES GERMANY

J.AUER – SIGNALGERÄTE GmbH

Sperberweg 11

41468 Neuss / GERMANY

Tel. +49 (0)2131 29 86 86-0

Fax +49 (0)2131 29 86 86-6

info@auer-signal.de

www.auer-signal.com