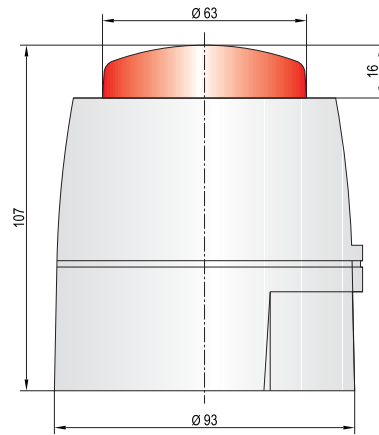
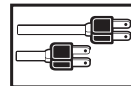
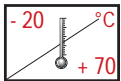


# LED Flashing Beacon-Electronic Multitone Siren CS1



## Features

- cost effective LED flashing beacon – electronic multitone siren
- 2-32 tones
- tone type and volume selectable via DIP switch
- low nominal current (14 – 41 mA)
- quick fit installation by bayonet fixing
- lateral cable entry possible



## Technical data

Type	CS1
Housing colour	red, white
Lens colour	amber, red, clear, blue
Duty cycle factor	100 %
Temperature range	-20°C to +70 °C
Light source	LED
Flashing frequency	1 Hz
Lifetime (light source)	~ 50.000 h
Sound pressure	91 - 111 dB
Tone frequency	440 - 2900 Hz



## Order data

Type	Nominal voltage (V)	Order No.		Nominal current (mA)	Voltage range (V)	Weight (g)
		Housing red	Housing white			
CS1	24 V DC	C111 62C 005	C111 22C 005	14 - 41	18-35	258

### Colour code for lens

1	amber	5	blue
2	red		
4	clear		



Sound table CS1				
No.	Tone	Description	DIP-Switch	Second St. Alarm (Hz)
1	LF Sweep (Cranford sweep)	800 - 1.000 Hz @ 0.5 Sek.	11111	800 continuous
2	Alternative warble BS standard	800/960 Hz @ 2 Hz	11110	800 continuous
3	Warble Tone BS standard	800/1.000 Hz @ 0.5 Sek.	11101	800 continuous
4	Alternative warble BS standard	500/600 Hz @ 2 Hz	11100	500 continuous
5	HF Back up interrupted tone	2.800 Hz @ 1.0 sec on/off	11011	2800 continuous
6	LF Back up Alarm	800 Hz @ 150 msec on/off	11010	800 continuous
7	HF Back up interrupted tone - fast	2.800 Hz @ 150 msec on/off	11001	800 continuous
8	LF Continuous tone BS5839	800 Hz continuous	11000	Same tone
9	Sweep tone ( 1Hz)	800/900 Hz @ 1 Hz	10111	800 continuous
10	Australian slow whoop	Intermittent 970 Hz 0.625 ms on/0.625 ms of	10110	500-1.200
				3.75 sec on
				0.25 sec off
11	Dutch sweep tone	970 Hz continuous	10101	500-1.200
				3.5 sec on
				0.5 sec off
12	Analogue sweep tone	500/600 Hz @ 2 Hz	10100	500 continuous
13	Sweep tone (3Hz)	800/970 Hz @ 3 Hz	10011	800 continuous
14	Alternate HF slow sweep	2.350/2.900 Hz @ 3 Hz	10010	2.400 continuous
15	Fast HF sweep	2.400-2.800 Hz @ 7 Hz	10001	2.400 continuous
16	US Temporal Pattern LF	950 Hz for 0.5 sec on 0.5 sec offx3	10000	800 continuous
		then 1.5 sec then repeat		
17	Interrupted tone BS standard	Interrupted tone 800 Hz @ 0.5 sec on/off	01111	800 continuous
18	ISO 8201 LF BS5839 Pt 1 1988	Intermittent 970 Hz 500 ms on/500 ms off	01110	Same tone
19	Interrupted tone medium	1.000 Hz @ 0.25 sec on/off	01101	800 continuous
20	ISO8201 HF	Intermittent 970 Hz 500 ms on /500 ms off	01100	Same tone
21	Continuous tone	1.000 Hz continuous	01011	Same tone
22	LF Buzz	800-950 Hz swept @ 110 Hz	01010	800 continuous
23	HF Continuous	2.800 Hz	01001	2.800 continuous
24	Sweep tone (9Hz)	800-970 Hz @ 9 Hz	01000	800 continuous
25	German DIN tone	Sweep 1200-500 Hz @ 1 Hz	00111	800 continuous
26	Swedish Fire signal	Intermittent 660 Hz 150 ms on / 150 ms off	00110	Same tone
27	French tone AFNOR	554 Hz for 100 ms and 440 Hz for 400 ms	00101	800 continuous
28	Swedish all clear signal	Continuous 660 Hz	00100	Same tone
29	US Temporal Pattern HF	2900 Hz for 0.5 sec on 0.5 offx3	00011	2.900 continuous
		off for 1.5 sec then repeat		
30	Siren 2 way ramp (short)	500/1.200 Hz rising, then falling 0.25 Sec.	00010	800 continuous
31	FP 1063.1 - Telecom	alternating tone 800/970 Hz @ 2 Hz	00001	800 continuous
32	Siren 2 way ramp (long)	500/1.200 Hz 3 Sec. rising / 3 Sec. falling	00000	800 continuous

**DISTRIBUTOR**

**GEUKEN B.V.**

Wattstraat 15a

2723 RA Zoetermeer / NETHERLANDS

Tel. +31 (0)79 361 60 70

Fax +31 (0)79 361 40 90

info@geuken.nl

[www.geuken.nl](http://www.geuken.nl)

**HEADQUARTERS**

**J.AUER – FABRIK ELEKTRISCHER  
MASCHINEN Ges.m.b.H.**

Perfektastraße 102

1230 Vienna / AUSTRIA

Tel. +43 (0)1 813 82 20

Fax +43 (0)1 815 99 51

office@auer-signal.com

[www.auer-signal.com](http://www.auer-signal.com)

**SALES GERMANY**

**J.AUER – SIGNALGERÄTE GmbH**

Sperberweg 11

41468 Neuss / GERMANY

Tel. +49 (0)2131 29 86 86-0

Fax +49 (0)2131 29 86 86-6

info@auer-signal.de

[www.auer-signal.com](http://www.auer-signal.com)