

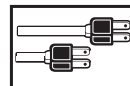
HPT



HTG



models with telephone call current relay  
HPT-R, HTG-R



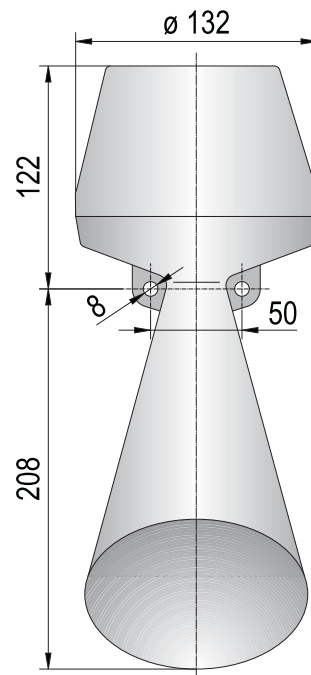
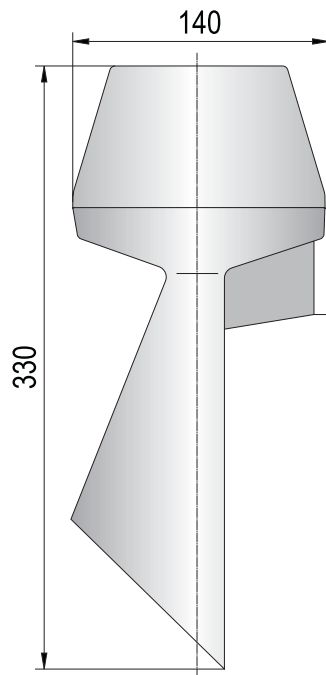
## Technical data

### Features

- ▶ loud, well designed and robust electro-mechanical signal horns
- ▶ housing options:  
impact resistant synthetic housing (HPT)  
aluminium die-cast housing (HTG)
- ▶ screw holes steel fortified (HPT)
- ▶ special models with telephone call current relay (HPT-R, HTG-R)
- ▶ large offering of standard and special voltages
- ▶ HTG-L: special model with RILSAN-coating against galvanic corrosion (version for vessels, seawater resistant etc.); models for tropical use upon request

Type	HPT	HTG
Housing, Colour	ABS, grey	aluminium-die cast epoxy-powder coated RAL 7000/7015
Terminal	up to 2,5 mm <sup>2</sup>	
Cable entry	7 - 10 mm	4,5 - 12 mm
Cable conduit	surface or buried	
Mounting	sound outlet downwards	
Duty cycle factor	100 %	
Protection class	IP 55	IP 65
Radio noise suppression	acc. to CENELEC EN 55014	
Temperature range	-20 °C to +50 °C	
Sound pressure	~ 108 dB	
Weight	800 g	1600 g





## Order data

Nominal voltage (V)	Hz	Order No.		
		HPT	HTG	Nom. current (A)
6 V AC	50	712 100 103	713 100 103	4,50
12 V AC		712 100 104	713 100 104	2,00
24 V AC		712 100 105	713 100 105	1,20
42 V AC		712 100 107	713 100 107	0,60
48 V AC		712 100 108	713 100 108	0,50
60 V AC		712 100 109	713 100 109	0,40
110 V AC		712 100 110	713 100 110	0,20
230 V AC		712 100 113	713 100 113	0,10
120 V AC	60	712 100 211	713 100 211	0,20
240 V AC		712 100 213	713 100 214	0,11
12 V DC		712 100 004	713 100 004	1,00
24 V DC		712 100 005	713 100 005	0,60
48 V DC		712 100 008	713 100 008	0,50
60 V DC		712 100 009	713 100 009	0,25
110 V DC		712 100 010	713 100 010	0,20
220 V DC		712 100 013	713 100 013	0,1
<b>Models with telephone call current relay</b>				
Nominal voltage (V)	Hz	HPT-R	HTG-R	Nom. current (A)
230 V AC	50	712 102 113	713 102 113	0,10
240 V AC	60	712 102 213		0,11
220 V DC			713 102 013	0,08

Models with RILSAN-coating:  
membrane galvanized and epoxy powder coated, screws A4 with isolation and rubber washers for mounting avoiding galvanic corrosion, additional membrane sealing

Nominal voltage (V)	Hz	Order No.	
		HTG-L	Nom. current (A)
110 V AC	50	713 150 110	0,20
120 V AC		713 150 111	0,20
230 V AC		713 150 113	0,10
120 V AC	60	713 150 211	0,20
240 V AC		713 150 214	0,11
24 V DC		713 150 005	0,60

**DISTRIBUTOR**

**GEUKEN B.V.**

Wattstraat 15a  
2723 RA Zoetermeer / NETHERLANDS  
Tel. +31 (0)79 361 60 70  
Fax +31 (0)79 361 40 90  
info@geuken.nl  
[www.geuken.nl](http://www.geuken.nl)

**HEADQUARTERS**

**J.AUER – FABRIK ELEKTRISCHER  
MASCHINEN Ges.m.b.H.**

Perfektastraße 102  
1230 Vienna / AUSTRIA  
Tel. +43 (0)1 813 82 20  
Fax +43 (0)1 815 99 51  
office@auer-signal.com  
[www.auer-signal.com](http://www.auer-signal.com)

**SALES GERMANY**

**J.AUER – SIGNALGERÄTE GmbH**

Sperberweg 11  
41468 Neuss / GERMANY  
Tel. +49 (0)2131 29 86 86-0  
Fax +49 (0)2131 29 86 86-6  
info@auer-signal.de  
[www.auer-signal.com](http://www.auer-signal.com)