



# SERIES 5000 - ROUND PUSHBUTTON SWITCHES

FOR AT LEAST 200 000 MECHANICAL SWITCHING CYCLES






## PRODUCT FEATURES

- Attractive, round pushbutton switch
- Efficient contact system at least 200 000 mechanical switching cycles
- Variants with sealing cap for IP 54 dust and water protection
- Appliance cut-out with diameter 16 mm, alternatively with fixing pin

## ON REQUEST











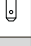







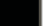

- Other colors
- Actuator printing
- Snap-on for greater wall thickness
- Cable assembly


<b>Mechanical life endurance</b>	20E4
<b>Proof tracking</b>	250 PTI
<b>Protection type</b>	IP 40 IP 54 (in variants with sealing cap)
<b>Ambient temperature</b>	terminal side -20 °C ... +85 °C actuating side -20 °C ... +55 °C
<b>Flammability</b>	UL 94 V-2
<b>Glow wire test temperature</b>	850 °C
<b>Material</b> actuator housing terminals	PA glass fiber-reinforced PA glass fiber-reinforced silver plated
<b>Type of fastening</b>	Snap fastening
<b>Plug force of the terminals</b>	≤ 64 N
<b>Approval marks</b>	 /  / 
<b>Suitable for appliances of protection class II</b>	



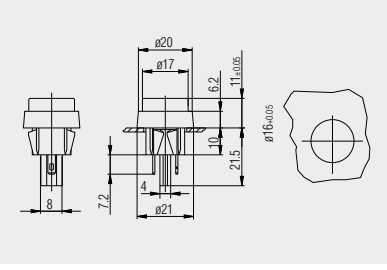
# SERIES 5000 - ROUND PUSHBUTTON SWITCHES


FOR AT LEAST 200 000 MECHANICAL SWITCHING CYCLES

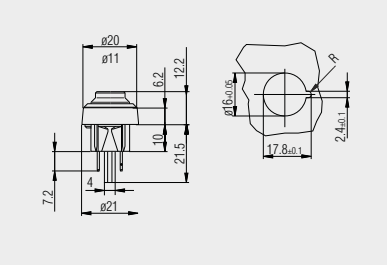
 single-pole 	Actuator color / printing	Housing color	Terminal type			Terminal description	Contact distance (mm)	Contact material	Pretravel max. (mm)	Total travel / stroke (mm)	Miscellaneous	Stock version	
			4 (2) A 250 V AC 5E4	4 A 125 V AC 1/10 HP	2 A 250 V AC 1/10 HP								
Normally open contact (SPNO)													
5000.0101			<input type="radio"/>	<input type="radio"/>	<input type="radio"/>		2.8	≥ 3	Ag	2.0 ± 0.4	4.0	<input type="radio"/>	
5000.0103			<input type="radio"/>	<input type="radio"/>	<input type="radio"/>		2.8	≥ 3	Ag	2.0 ± 0.4	4.0	<input type="radio"/>	
5000.0104			<input type="radio"/>	<input type="radio"/>	<input type="radio"/>		2.8	≥ 3	Ag	2.0 ± 0.4	4.0	<input type="radio"/>	
5000.0211			<input type="radio"/>	<input type="radio"/>	<input type="radio"/>		2.8	≥ 3	Ag	2.0 ± 0.4	4.0	fixing pin	<input type="radio"/>
5000.0212			<input type="radio"/>	<input type="radio"/>	<input type="radio"/>		2.8	≥ 3	Ag	2.0 ± 0.4	4.0	fixing pin	<input type="radio"/>
5000.0501			<input type="radio"/>	<input type="radio"/>	<input type="radio"/>		2.8	≥ 3	Ag	2.0 ± 0.4	4.0	fixing pin with IP 54 sealing cap	<input type="radio"/>




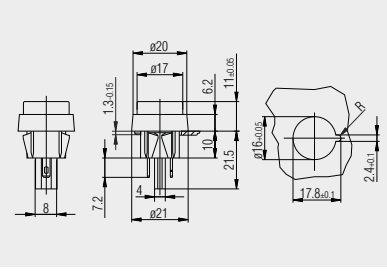
Basic type 5000




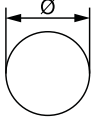
 Quick-connect terminal 2.8 x 0.8



 Quick-connect terminal 2.8 x 0.8 (with fixing pin and IP 54 sealing cap) 5000.0501



 Quick-connect terminal 2.8 x 0.8 (with fixing pin) 5000.0211 and 5000.0212

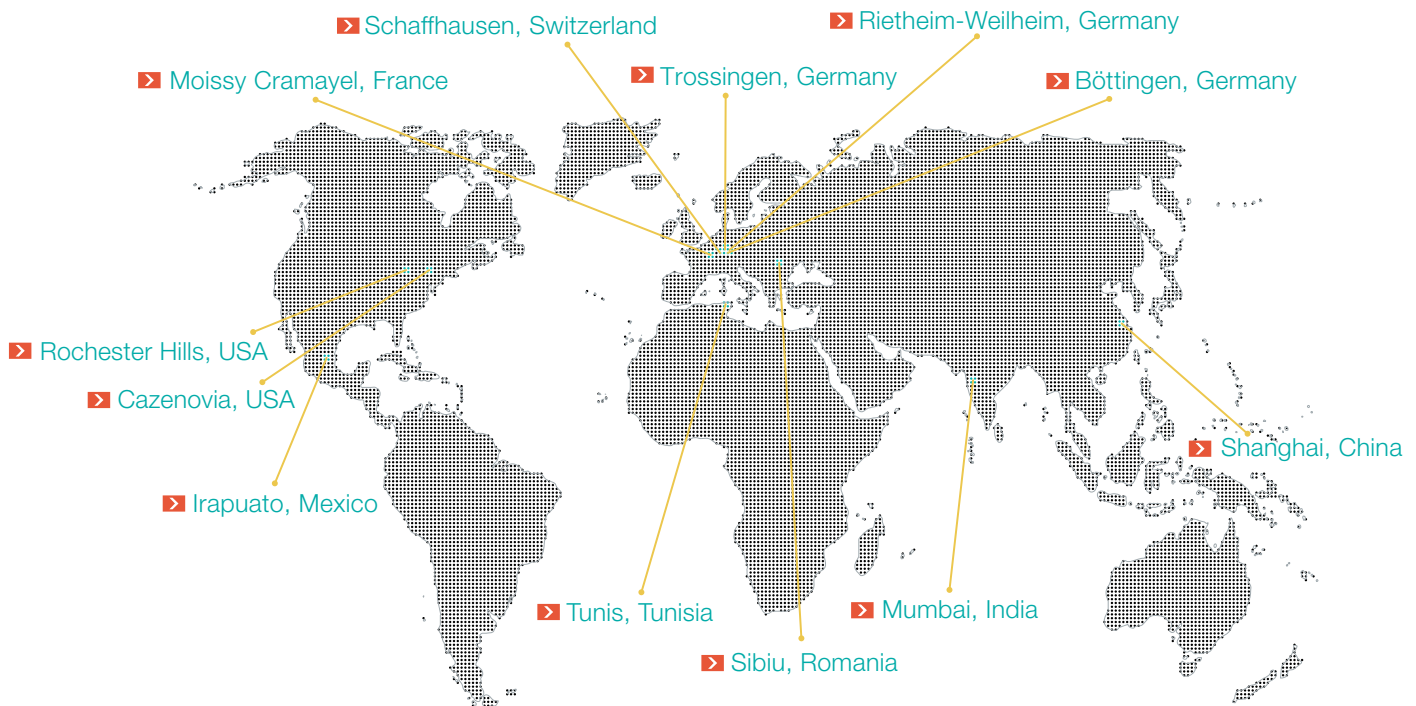


X = Wall thickness

x	∅
1.4 ... 1-7	16.0 <sup>+0.05</sup>

ROTARY SWITCHES  
 PUSHBUTTON SWITCHES  
 TOGGLE SWITCHES  
 SLIDE SWITCHES  
 ROTARY SWITCHES  
 FOOT SWITCHES  
 TACT AND KEY SWITCHES  
 MICRO-SIGNAL SWITCHES  
 SMP-ACTION SWITCHES  
 SENSORS  
 ECO  
 PUSH/DRIVE

# MARQUARDT INTERNATIONAL.



## HEADQUARTERS

### Marquardt Mechatronik GmbH

Schloss-Straße 16

78604 Rietheim-Weilheim / GERMANY

Tel. +49 (0)74 24/99-0

Fax +31 (0)74 24/99-2399

marquardt@marquardt.com

[www.marquardt.com](http://www.marquardt.com)

## Geuken



## DISTRIBUTOR

### GEUKEN B.V.

Wattstraat 25a

2723 RA Zoetermeer / NETHERLANDS

Tel. +31 (0)79 361 60 70

Fax +31 (0)79 361 40 90

info@geuken.nl

[www.geuken.nl](http://www.geuken.nl)