



SERIES 3000 - KEY SWITCHES

TO 30 mA 28 V

PRODUCT FEATURES


- With one or two normally open contacts switching in sequence
- By separating the mechanical and electrical components, a high contact reliability and excellent actuating characteristic are achieved
- Terminals sealed
- For direct or indirect actuation

ON REQUEST

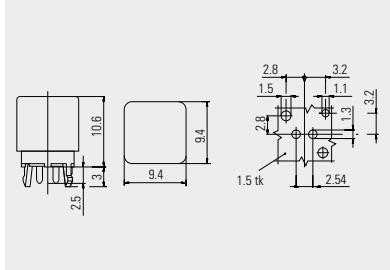
- Available with centrally placed LED (only version with a pressure point)
- Different key caps

Mechanical life endurance	1E5 2E4 (basic type 3003 - two pressure points)
Ambient temperature	-40 °C ... +85 °C
Material actuator housing terminals	PC / POM PA glass fiber-reinforced tinned
Contact material	Au CuSn gold-plated
Contact distance	< 3 mm

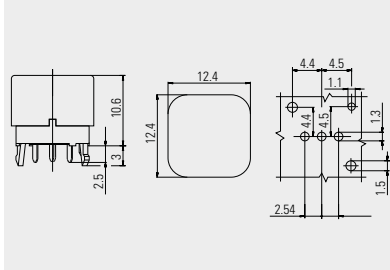
	30 mA 28 V	Terminal type	Operating force (N)	Operating position (OP) (mm)	Free position (FP) max. (mm)	Permissible total travel position (TP) (mm)	Miscellaneous	Stock version
Normally open contact (SPNO)								
3000.0452	○	U	5 - 7	9.8 +0.3 -0.2	10.9	9.2		
Double normally open contact (SPNO)								
3003.0452	○	U	5 - 7	9.8 +0.3 -0.2	10.9	8.6	operating force 2: 11 - 14 N operating position 2: 8.9 +0.3 -0.2	



Basic types 3000 and 3003



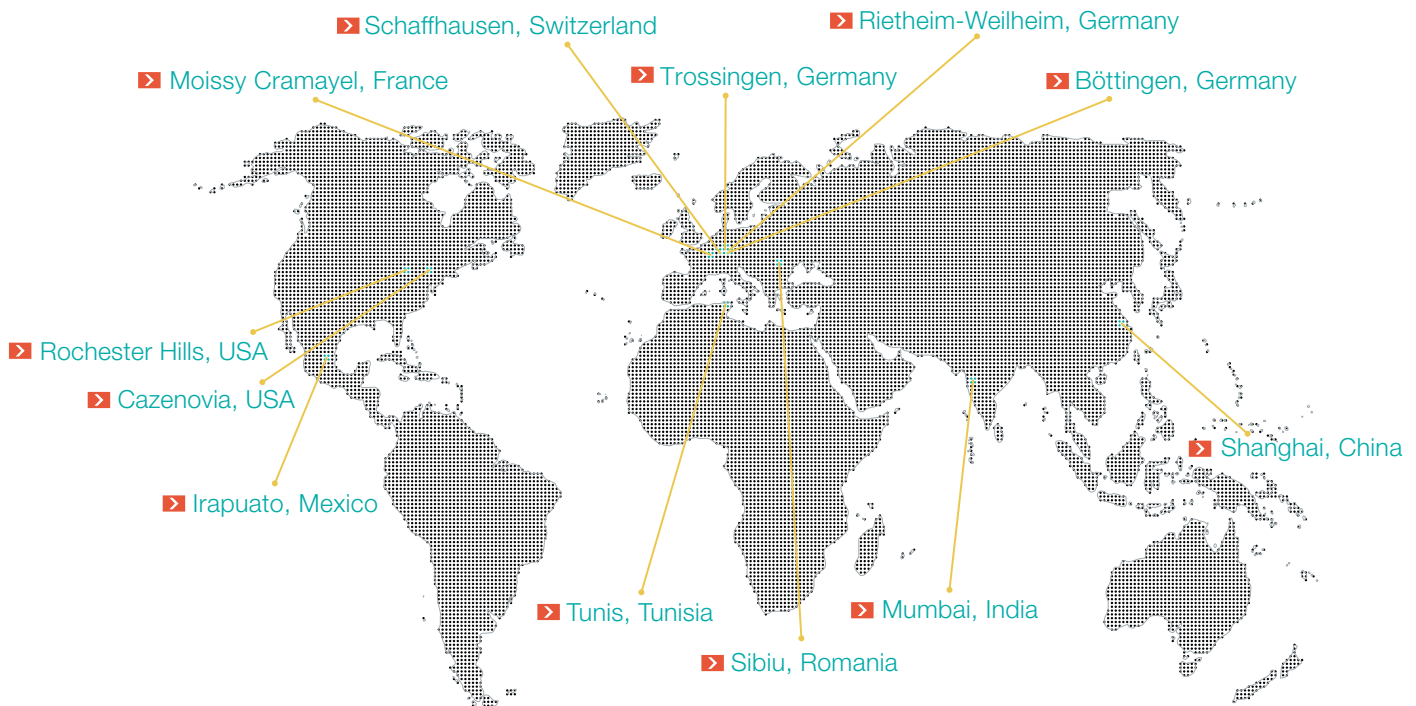
Normally open contact with one pressure point
3000.0452



Double normally open contact with two pressure points
3003.0452

ROCKER SWITCHES
 PUSHBUTTON SWITCHES
 TOGGLE SWITCHES
 SLIDE SWITCHES
 ROTARY SWITCHES
 FOOT SWITCHES
TACT AND KEY SWITCHES
 SMP-ACTION SWITCHES
 MICRO-SIGNAL SWITCHES
 SENSORS
 ECO
 PUSH IN DRIVE

MARQUARDT INTERNATIONAL.



HEADQUARTERS

Marquardt Mechatronik GmbH

Schloss-Straße 16
78604 Rietheim-Weilheim / GERMANY
Tel. +49 (0)74 24/99-0
Fax +31 (0)74 24/99-2399
marquardt@marquardt.com
www.marquardt.com

Geuken



DISTRIBUTOR

GEUKEN B.V.

Wattstraat 25a
2723 RA Zoetermeer / NETHERLANDS
Tel. +31 (0)79 361 60 70
Fax +31 (0)79 361 40 90
info@geuken.nl
www.geuken.nl