



# SERIES 1900 - SMALLEST SINGLE-POLE ROCKER SWITCHES

TO 6 (2) A 250 V AC



## PRODUCT FEATURES

- Reliable leaf spring contact system with contact spacing  $\geq 3$  mm
- Attractive, slim design
- Three sizes
- Low space requirement due to small sizes

## ON REQUEST


- Other colors
- Other printing variants
- Cable assembly


Mechanical life endurance	75E3
Operating force	2 - 5 N
Contact resistance (new condition)	< 100 mOhm (1 A 12 V DC)
Insulation resistance (new condition)	> 100 MOhm (500 V DC)
Proof tracking	250 PTI
Protection type	IP 40
Ambient temperature	terminal side -20 °C ... +85 °C actuating side -20 °C ... +55 °C
Flammability	UL 94 V-2
Glow wire test temperature	850 °C
Material actuator housing terminals	PA PA silver plated
Plug force of the terminals	$\leq 80$ N
Approval marks	
Suitable for appliances of protection class II	



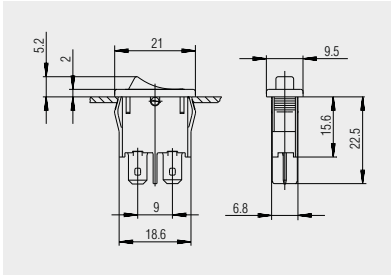
# SERIES 1900 - SMALLEST SINGLE-POLE ROCKER SWITCHES


TO 6 (2) A 250 V AC

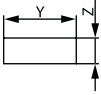
 single-pole	Actuator color / printing	Housing color	6 (2) A 250 V AC 1E4	4 (1) A 250 V AC 5E4	30 mA 12 V DC 5E4	6 A 125 - 250 V AC 1/8 HP	Terminal type	Terminal description	Contact distance (mm)	Contact material	Miscellaneous	Stock version
	ON / OFF switch (SPST)											
1901.1102		black	o	o		o		4.8	≧ 3	Ag		o
1901.1103		black	o	o		o		4.8	≧ 3	Ag		o
1901.1106		white	o	o		o		4.8	≧ 3	Ag	rocker marking silver	
1911.1102		black	o	o		o		4.8	≧ 3	Ag		o
1911.1104		black	o	o		o		4.8	≧ 3	Ag		
1921.1101		white	o	o		o		4.8	≧ 3	Ag		
1921.1102		black	o	o		o		4.8	≧ 3	Ag		o
1901.1152		black			o			4.8	≧ 3	Au		



Basic type 1901  
single-pole



 Quick-connect terminal 4.8 x 0.8



X = Wall thickness

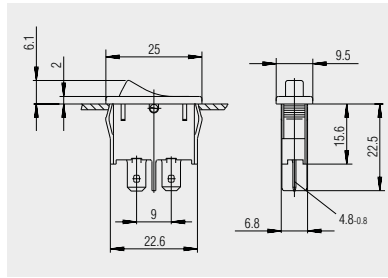
x	y	z
0.75 ... 1.25	19.2 <sup>-0.1</sup>	6.8 <sup>+0.1</sup>
1.25 ... 2	19.4 <sup>-0.1</sup>	6.8 <sup>+0.1</sup>
2 ... 3	19.8 <sup>-0.1</sup>	6.8 <sup>+0.1</sup>

ROCKERSWITCHES  
 PUSHBUTTON SWITCHES  
 TOGGLE SWITCHES  
 SLIDE SWITCHES  
 ROTARY SWITCHES  
 FOOT SWITCHES  
 TACT AND KEY SWITCHES  
 SMP-ACTION SWITCHES  
 MICRO-SIGNAL SWITCHES  
 SENSORS  
 ECO  
 PUSH IN DRIVE



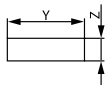
# SERIES 1900 - SMALLEST SINGLE-POLE ROCKER SWITCHES

TO 6 (2) A 250 V AC



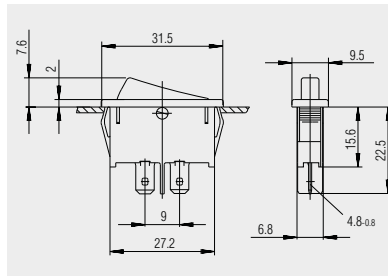
Basic type 1911  
single-pole

 Quick-connect terminal 4.8 x 0.8



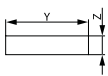
X = Wall thickness

x	y	z
0.75 ... 1.25	23.2 <sup>-0.1</sup>	6.8 <sup>+0.1</sup>
1.25 ... 2	23.4 <sup>-0.1</sup>	6.8 <sup>+0.1</sup>
2 ... 3	23.8 <sup>-0.1</sup>	6.8 <sup>+0.1</sup>



Basic type 1921  
single-pole

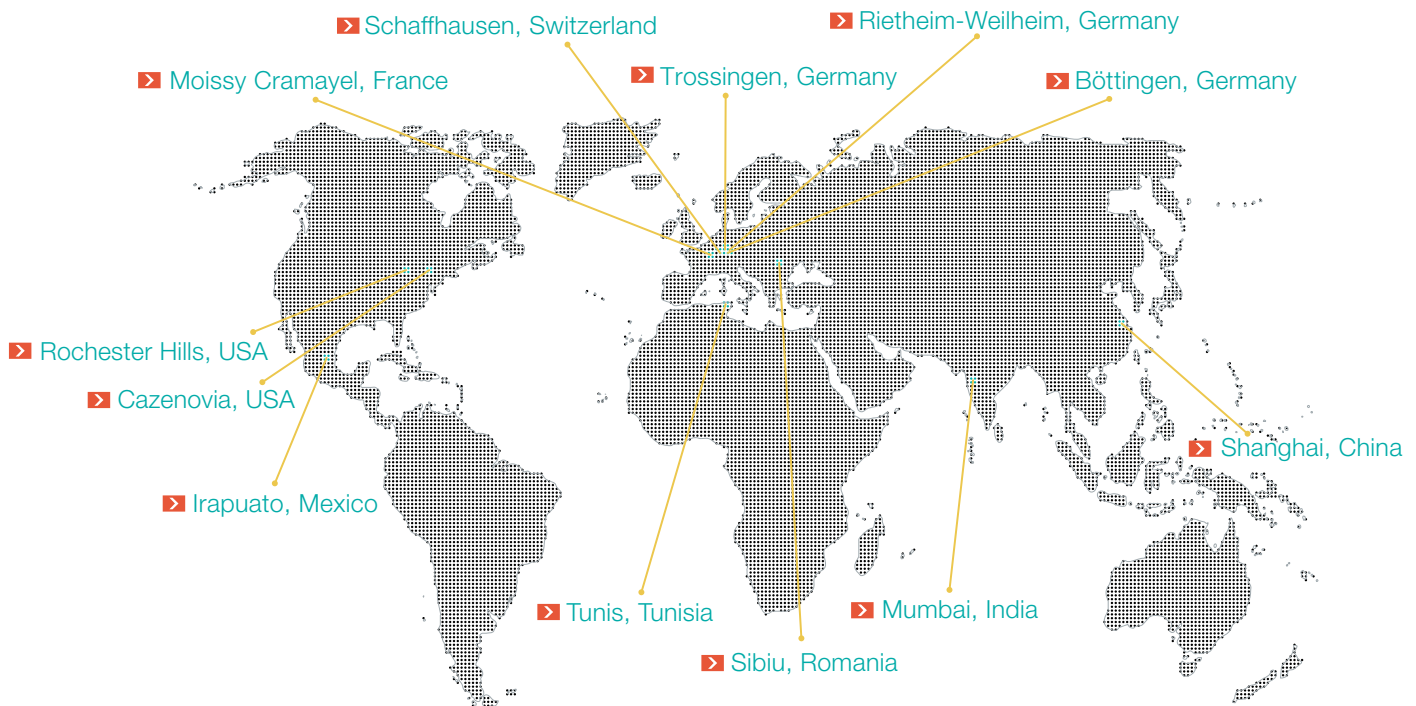
 Quick-connect terminal 4.8 x 0.8



X = Wall thickness

x	y	z
0.75 ... 1.25	30 <sup>-0.1</sup>	6.8 <sup>+0.1</sup>
1.25 ... 2	30.2 <sup>-0.1</sup>	6.8 <sup>+0.1</sup>
2 ... 3	30.6 <sup>-0.1</sup>	6.8 <sup>+0.1</sup>

# MARQUARDT INTERNATIONAL.



## HEADQUARTERS

### Marquardt Mechatronik GmbH

Schloss-Straße 16  
78604 Rietheim-Weilheim / GERMANY  
Tel. +49 (0)74 24/99-0  
Fax +31 (0)74 24/99-2399  
marquardt@marquardt.com  
[www.marquardt.com](http://www.marquardt.com)

## Geuken



## DISTRIBUTOR

### GEUKEN B.V.

Wattstraat 25a  
2723 RA Zoetermeer / NETHERLANDS  
Tel. +31 (0)79 361 60 70  
Fax +31 (0)79 361 40 90  
info@geuken.nl  
[www.geuken.nl](http://www.geuken.nl)