

SERIES 1281 - ON/OFF TRIGGER SWITCHES

FOR CORDED POWER TOOLS



Product description

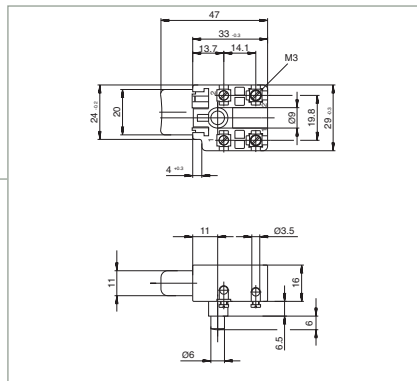
- :: DPNO optional with:
 - Lock-on
 - Lock-off
- :: High dust protection for hardest application conditions

Technical data

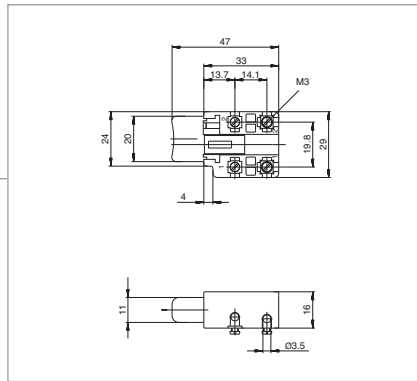
- :: Electrical rating 8 (8)A 250V~ 5E4
 10A 125-250 VAC
 3/4HP 125 VAC
 1 1/2 HP 250 VAC
- :: Mechanical endurance 1E5 cycles
- :: Electrical endurance 5E4 cycles
- :: Contacts Ag
- ::
- :: Suitable for appliances of class II



1281.0101
with Lock-on



1281.0201



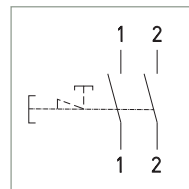
Terminals

- :: Pillar terminals M3

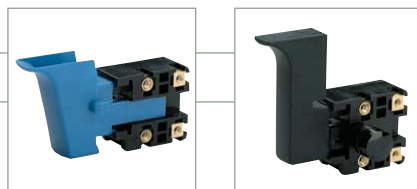
Special versions on request

- :: DPNO for higher electrical rating up to 17,5A 125 V AC
- :: Lock-on and lock-off

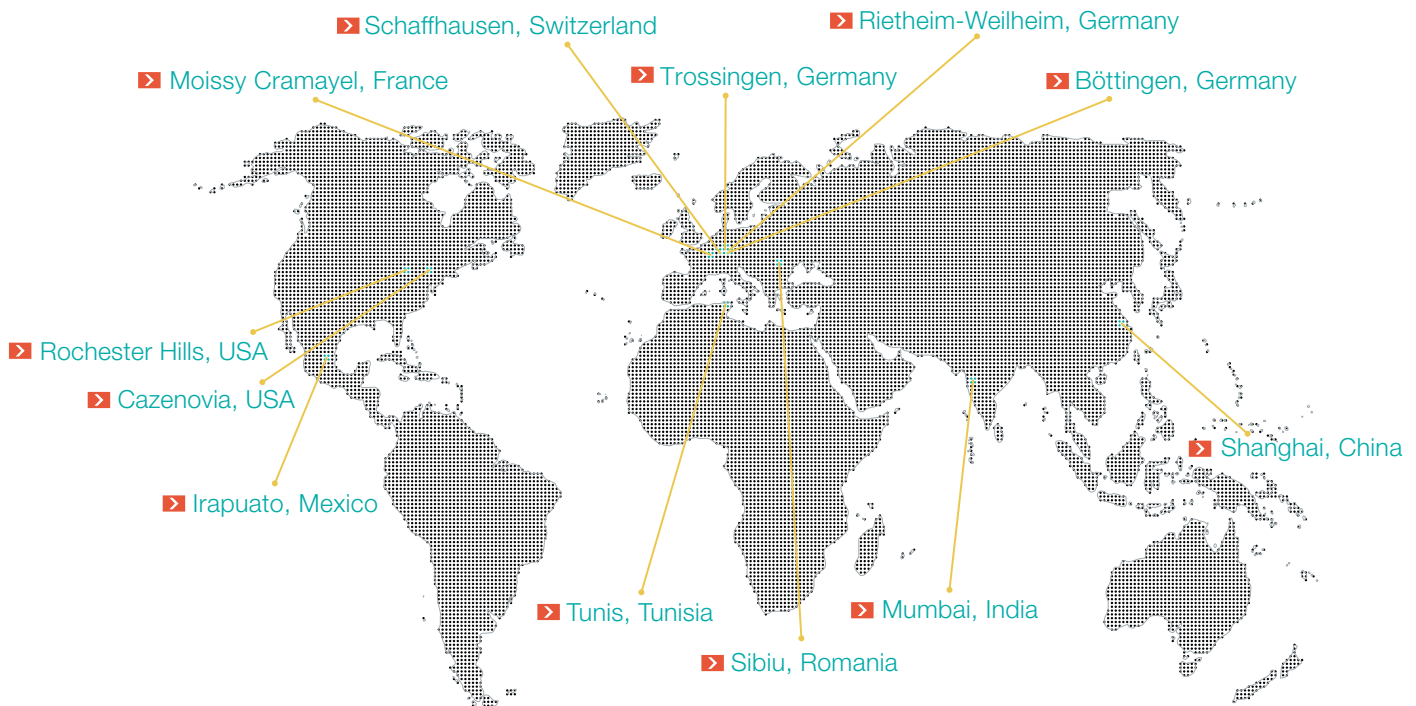
Switching function



Customized versions



MARQUARDT INTERNATIONAL.



HEADQUARTERS

Marquardt Mechatronik GmbH

Schloss-Straße 16
78604 Rietheim-Weilheim / GERMANY
Tel. +49 (0)74 24/99-0
Fax +31 (0)74 24/99-2399
marquardt@marquardt.com
www.marquardt.com

Geuken



DISTRIBUTOR

GEUKEN B.V.

Wattstraat 25a
2723 RA Zoetermeer / NETHERLANDS
Tel. +31 (0)79 361 60 70
Fax +31 (0)79 361 40 90
info@geuken.nl
www.geuken.nl