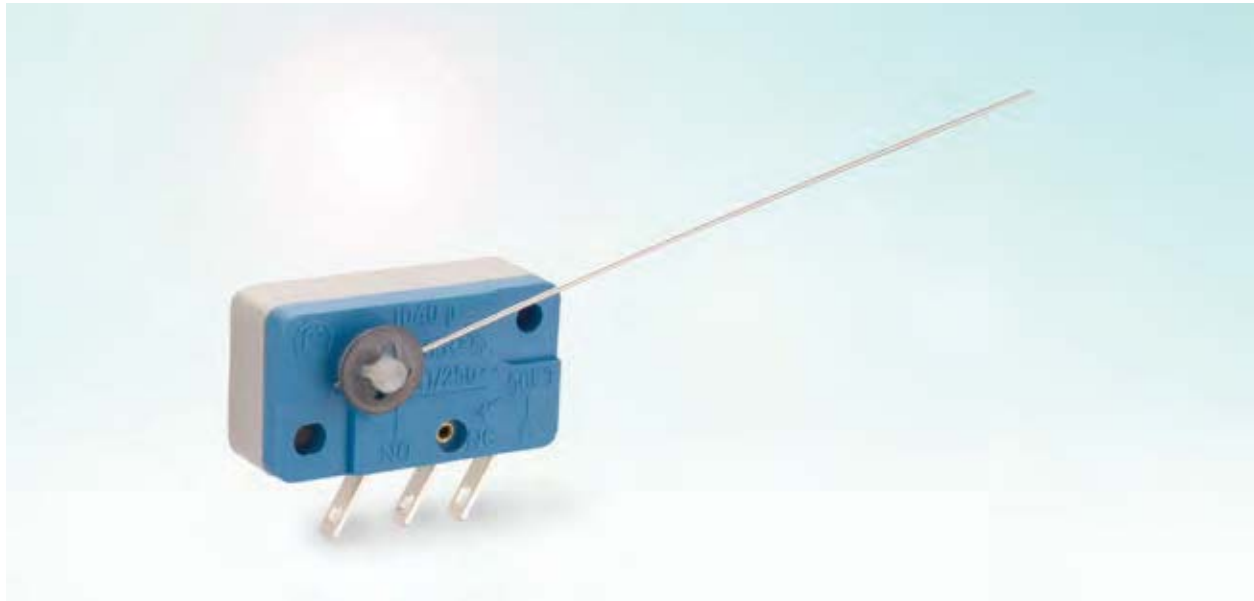




SERIES 1040 - ROTARY SHAFT SNAP-ACTION SWITCHES

TO 4 (1) A 250 V AC



PRODUCT FEATURES

- Extremely low switching torques
- Spring steel auxiliary actuators which are easily adaptable to customer-specific installation conditions

ON REQUEST

- Other auxiliary actuators
- Normally open contact version

Mechanical life endurance	5E6
Contact resistance (new condition)	< 100 mOhm (1 A 12 V DC)
Insulation resistance (new condition)	> 100 MOhm (500 V DC)
Proof tracking	250 PTI
Protection type	IP 40 actuator side IP 00 terminal side
Ambient temperature	-35 °C ... +85 °C
Flammability	UL 94 V-2
Glow wire test temperature	850 °C
Material	actuator additional actuator housing terminals
	PA glass fiber-reinforced stainless steel spring steel PA glass fiber-reinforced / PETP silver plated
Contact distance	< 3 mm
Approval marks	

Suitable for appliances of protection class II under compliance with the installation conditions required on the equipment side


ROCKER SWITCHES
 PUSHBUTTON SWITCHES
 TOGGLE SWITCHES
 SLIDE SWITCHES
 ROTARY SWITCHES
 FOOT SWITCHES
 TACT AND KEY SWITCHES
 SNAP-ACTION SWITCHES
 MICRO-SIGNAL SWITCHES
 SENSORS
 ECO
 PUSH IN DRIVE



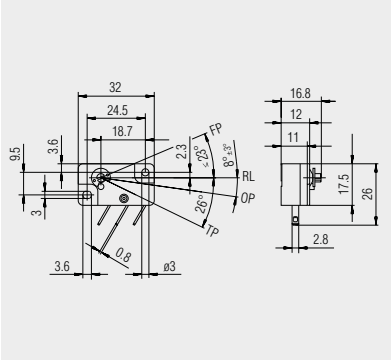
SERIES 1040 - ROTARY SHAFT SNAP-ACTION SWITCHES

TO 4 (1) A 250 V AC


	4 (1) A 250 V AC 5E4	Terminal type	Terminal description	Contact material	Stock version
Changeover switch (SPDT momentary)					
1040.0111	○		2.8	Ag	○
1040.0114	○		2.8	Ag	○
1040.0301	○		2.8	Au	



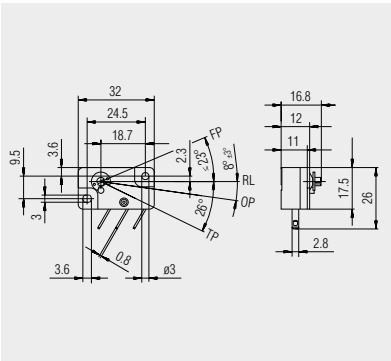
1040.0111




Enclosed loose: actuating lever 80 long, diameter 0.6 mm made of stainless spring steel and fastening disc
 FP: free position $\leq 23^\circ$
 OP: operating position $8^\circ \pm 3^\circ$
 TP: permissible total travel position 26°
 Pretravel angle max. 34°
 Overtravel angle min. 15°
 Difference angle $5^\circ-15^\circ$
 Switch actuating torque 0.6-0.9 Nmm
 End actuating torque min. 0.2 Nmm
 Reset torque min 0.15 Nmm



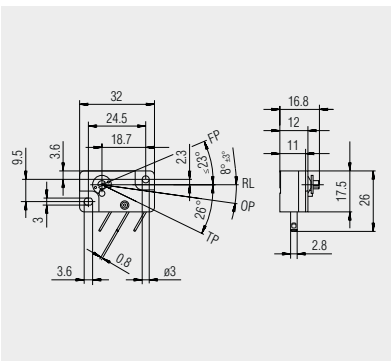
1040.0114



Enclosed loose: actuating lever 80 long, diameter 0.6 mm made of stainless spring steel and fastening disc
 FP: free position $\leq 23^\circ$
 OP: operating position $8^\circ \pm 3^\circ$
 TP: permissible total travel position 26°
 Pretravel angle max. 34°
 Overtravel angle min. 15°
 Difference angle $5^\circ-15^\circ$
 Switch actuating torque 0.9-1.7 Nmm
 End actuating torque min. 0.2 Nmm
 Reset torque min. 0.15 Nmm



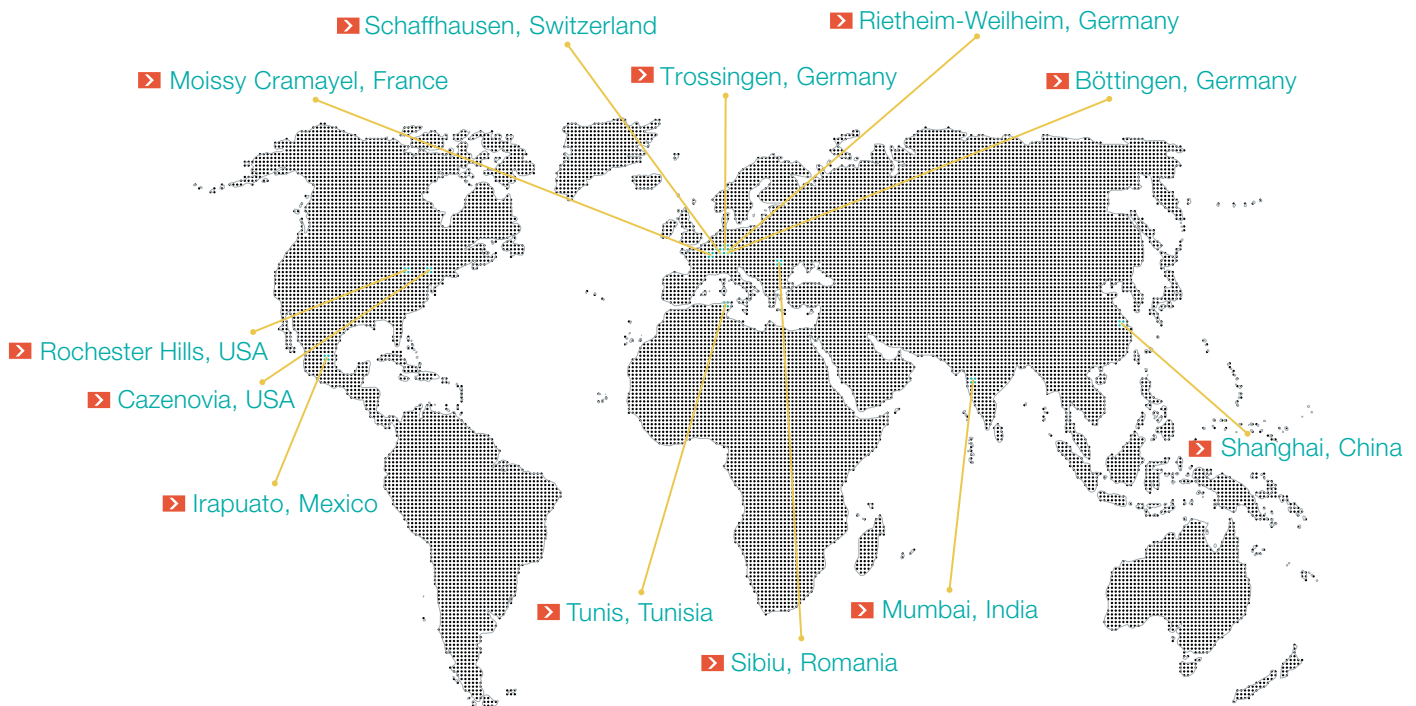
1040.0301



Without lever and fastening disc
 FP: free position $\leq 23^\circ$
 OP: operating position $8^\circ \pm 3^\circ$
 TP: permissible total travel position 46°
 Pretravel angle max. 34°
 Overtravel angle min. 35°
 Difference angle $5^\circ-15^\circ$
 Switch actuating torque 0.6-0.9 Nmm
 End actuating torque ≥ 0 Nmm
 Reset torque ≥ 0 Nmm

ROCKER SWITCHES
 PUSHBUTTON SWITCHES
 TOGGLE SWITCHES
 SLIDE SWITCHES
 ROTARY SWITCHES
 FOOT SWITCHES
 TACT AND KEY SWITCHES
 SNAP-ACTION SWITCHES
 MICRO-SIGNAL SWITCHES
 SENSORS
 ECO
 PUSH/DRIVE

MARQUARDT INTERNATIONAL.



HEADQUARTERS

Marquardt Mechatronik GmbH

Schloss-Straße 16
78604 Rietheim-Weilheim / GERMANY
Tel. +49 (0)74 24/99-0
Fax +31 (0)74 24/99-2399
marquardt@marquardt.com
www.marquardt.com

Geuken



DISTRIBUTOR

GEUKEN B.V.

Wattstraat 25a
2723 RA Zoetermeer / NETHERLANDS
Tel. +31 (0)79 361 60 70
Fax +31 (0)79 361 40 90
info@geuken.nl
www.geuken.nl